

*Thank you for purchasing a Sealey Product. Manufactured to a high standard this product will, if used according to these instructions and properly maintained, give you years of trouble free performance.*



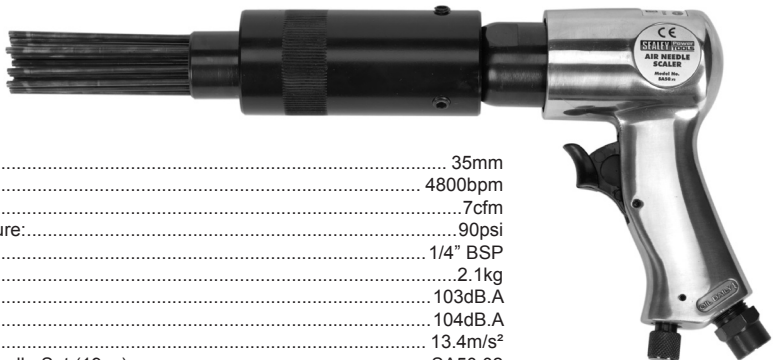
**IMPORTANT: PLEASE READ THESE INSTRUCTIONS CAREFULLY. NOTE THE SAFE OPERATIONAL REQUIREMENTS, WARNINGS AND CAUTIONS. USE THIS PRODUCT CORRECTLY AND WITH CARE FOR THE PURPOSE FOR WHICH IT IS INTENDED. FAILURE TO DO SO MAY CAUSE DAMAGE AND/OR PERSONAL INJURY AND WILL INVALIDATE THE WARRANTY. PLEASE KEEP INSTRUCTIONS SAFE FOR FUTURE USE.**

## 1. SAFETY INSTRUCTIONS

- WARNING!** Ensure health & safety, local authority, and general workshop practice regulations are adhered to when using this equipment.
- WARNING!** Disconnect from air supply before changing accessories or servicing.
- ✓ Maintain the needle scaler in good condition and replace any damaged or worn parts. Use genuine parts only. Unauthorised parts may be dangerous and will invalidate the warranty.
- WARNING!** Check correct air pressure is maintained and not exceeded. We recommend 90psi.
- ✓ Keep air hose away from heat, oil and sharp edges. Check air hose for wear before each use and ensure that all connections are secure.
- ✓ Only use needles which are specifically designed for use with a needle scaler.
- ✓ Wear approved safety eye/face shield, ear defenders, and hand protection.
- ✓ Maintain correct balance and footing. Ensure the floor is not slippery and wear non-slip shoes.
- ✓ Keep children and non-essential persons away from the working area.
- ✗ **DO NOT** use the needle scaler for a task it is not designed to perform.
- WARNING! DO NOT** use needle scaler if damaged or thought to be faulty. (Contact Sealey service agent).
- ✗ **DO NOT** use needle scaler unless you have been instructed in its use by a qualified person.
- ✗ **DO NOT** carry the needle scaler by the air hose, or yank the hose from the air supply.
- ✗ **DO NOT** operate needle scaler if you are tired or under the influence of alcohol, drugs or intoxicating medication.
- ✗ **DO NOT** carry needle scaler with your hand on the power trigger in order to avoid unintentional starting.
- ✗ **DO NOT** direct air from the air hose at yourself or others.
- ✓ When not in use disconnect from air supply and store in a safe, dry, childproof location.

## 2. INTRODUCTION & SPECIFICATIONS

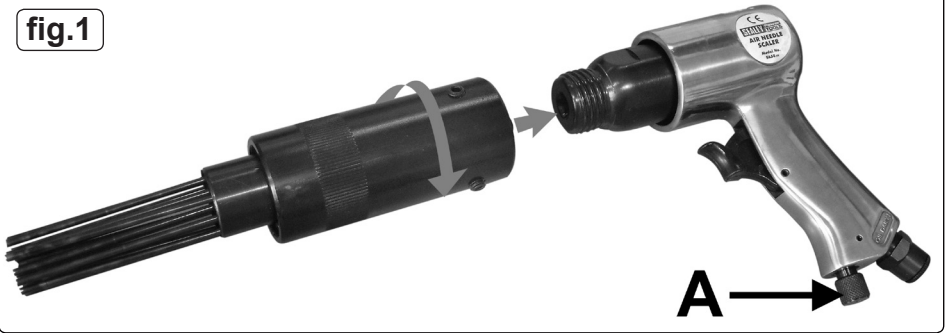
Pistol type scaler suitable for cleaning heavy paint and rust scale from metal surfaces. Removable needle head allows use as a standard air hammer but requires additional chisel set and spring retainer (not included). Features variable speed trigger control. Replacement needle sets available.



Stroke: .....	35mm
Free speed: .....	4800bpm
Air consumption: .....	7cfm
Operating pressure: .....	90psi
Air inlet size: .....	1/4" BSP
Weight: .....	2.1kg
Noise Power: .....	103dB.A
Noise Pressure: .....	104dB.A
Vibration: .....	13.4m/s <sup>2</sup>
Replacement Needle Set (19pc): .....	SA50.02
Optional Chisel Sets/Spring Retainer: .....	AK50(5pc), AK57(7pc), SA11R/17

### 3. PREPARING FOR USE

fig.1



#### 3.1. Assembly

- 3.1.1. Screw the scaling head fully onto the body as indicated above in fig.1.
- 3.1.2. Tighten the 3 grub screws located around the scaling head.

#### 3.2. Air Supply

- 3.2.1. Ensure needle scaler trigger is not depressed before connecting to the air supply.
- 3.2.2. You will require an air pressure of 90psi, and a minimum air flow of 2.8cfm.
- 3.2.3.  **WARNING!** Ensure the air supply is clean and does not exceed 90psi while operating the needle scaler. Too high an air pressure and unclean air will shorten the product life due to excessive wear, and may be dangerous causing damage and/or personal injury.
- 3.2.4. Drain the air tank daily. Water in the air line will damage the needle scaler.
- 3.2.5. Clean air inlet filter weekly. Recommended hook-up procedure is shown in fig.2.
- 3.2.6. Line pressure should be increased to compensate for unusually long air hoses (over 8 metres). The minimum hose diameter should be 1/4" I.D. and fittings must have the same inside dimensions.
- 3.2.7. Keep hose away from heat, oil and sharp edges. Check hose for wear, and make certain that all connections are secure.

#### 3.3. Couplings

Vibration may cause failure if a quick change coupling is connected directly to the needle scaler. To overcome this, connect a leader hose to the needle scaler. A quick change coupling may then be used to connect the leader hose to the air line recoil hose. See fig.2 & 3.

fig.2

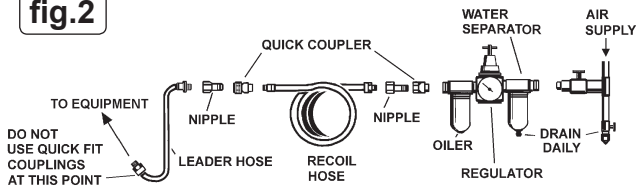


fig.3

### 4. OPERATING INSTRUCTIONS

- WARNING! Ensure you read, understand and apply safety instructions before use.**
- 4.1. Connect the needle scaler to the air hose as in section 3.
- 4.2. To start the scaler, depress the trigger.  
**DO NOT** allow the needle scaler to free run for an extended period of time as this will shorten its life.
- 4.3. Air flow may also be regulated by the air flow valve at the bottom of the handle (fig.1A).

### Risk of Hand Arm Vibration Injury

The Air Pistol Needle Scaler Model No. SA50.V2 when operated in accordance with these instructions and tested in accordance with BS EN 28662-1:1993, ISO 8662-1:1988 and BS EN ISO 28927-9:2009 results in the following vibration emission declared in accordance with BS EN 12096:1996.

**Measured vibration emission value:** 13.4m/s<sup>2</sup>

**Uncertainty:** 5.4m/s<sup>2</sup>

These values are suitable for comparison with emission levels of other tools that have been subject to the same test.

**This tool may cause hand-arm vibration syndrome if its use is inadequately managed.**

**Recommended Measures to reduce risk of hand-arm vibration syndrome:**

This tool should not be used by an individual regularly for more than 34.1 minutes in any 8 hour period.

This duration of use should be reduced if the individual is exposed to hand-arm vibration from other sources.

## 5. MAINTENANCE

- WARNING!** Disconnect needle scaler from air supply before changing accessories, servicing or performing maintenance. Replace or repair damaged parts. Use genuine parts only. Unauthorised parts may be dangerous and will invalidate the warranty.  
**Note:** Numbers in brackets refer to item numbers in the parts diagram.
- 5.1. To replace the needles, remove the large circlip from the back opening of the main sleeve and loosen the three grub screws. Take hold of the sleeve and press the needles firmly onto a hard surface to ease the plastic retainer out of the sleeve. Remove the hammer followed by the needle supporter, needles and the spring. Remove the old needles from the needle supporter and replace them with a new set. Reassemble the scaling head in the reverse order to that described above. Refer to the parts diagram. Screw the reassembled scaling head back onto the pistol body.
- 5.2. Lubricate the needle scaler daily with a few drops of Sealey air tool oil dripped into the air inlet.
- 5.3. Clean the needle scaler after use.
- 5.4. Loss of power or erratic action may be due to the following:
  - a) Excessive drain on the air line. Moisture or restriction in the air pipe. Incorrect size or type of hose connectors. To remedy check the air supply and follow instructions in Section 3.
  - b) Grit or gum deposits in the needle scaler may also reduce performance. Flush the needle scaler with gum solvent oil or an equal mixture of SAE No 10 oil and paraffin. Allow to dry before use.
- 5.5. For a full service contact your local Sealey service agent.
- 5.6. When not in use, disconnect from air supply, clean needle scaler and store in a safe, dry, childproof location.



Parts support is available for this product. To obtain a parts listing and/or diagram, please log on to [www.sealey.co.uk](http://www.sealey.co.uk), email [sales@sealey.co.uk](mailto:sales@sealey.co.uk) or phone 01284 757500.

**NOTE:** It is our policy to continually improve products and as such we reserve the right to alter data, specifications and component parts without prior notice.

**IMPORTANT:** No liability is accepted for incorrect use of this product.

**WARRANTY:** Guarantee is 12 months from purchase date, proof of which will be required for any claim.

**INFORMATION:** For a copy of our latest catalogue and promotions call us on 01284 757525 and leave your full name and address, including postcode.



Sole UK Distributor, Sealey Group,  
Kempson Way, Suffolk Business Park,  
Bury St. Edmunds, Suffolk,  
IP32 7AR



01284 757500



01284 703534



[www.sealey.co.uk](http://www.sealey.co.uk)



[sales@sealey.co.uk](mailto:sales@sealey.co.uk)