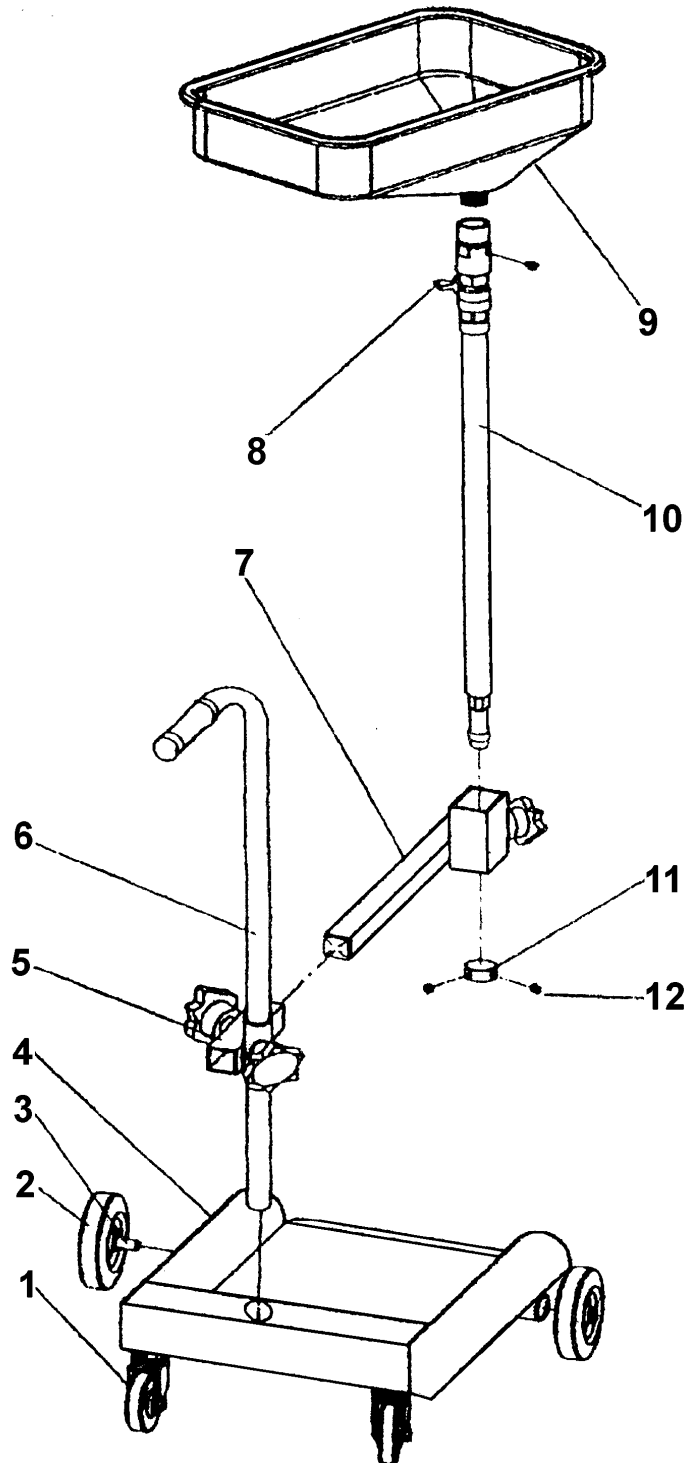


Item	Part No	Description
1	AK449D.01	BACK WHEEL CASTER
1	AK449D.02	FRONT WHEEL
3	AK449D.03	AXLE
4	AK449D.04	BASE PLATE
5	AK449D.05	CLAMPING SET
6	AK449D.06	HANDLE
7	AK449D.07	SQUARE TUBE CLAMP SET
8	AK449D.08	BALL VALVE
9	AK449D.09	OIL PAN
10	AK449D.10	OIL PIPE
11	AK449D.11	HEIGHT RING
12	AK449D.12	BOLT

ISSUE DATE 16/12/04
 ISSUE NO. 1



IMPORTANT: No liability is accepted for incorrect use of this equipment.

WARRANTY: Guarantee is 12 months from purchase date, proof of which will be required for any claim.

INFORMATION: For a copy of our catalogue and latest promotions call us on 01284 757525 and leave your full name, address and postcode.

NOTE: It is our policy to continually improve products and as such we reserve the right to alter data, specifications and component parts without prior notice.