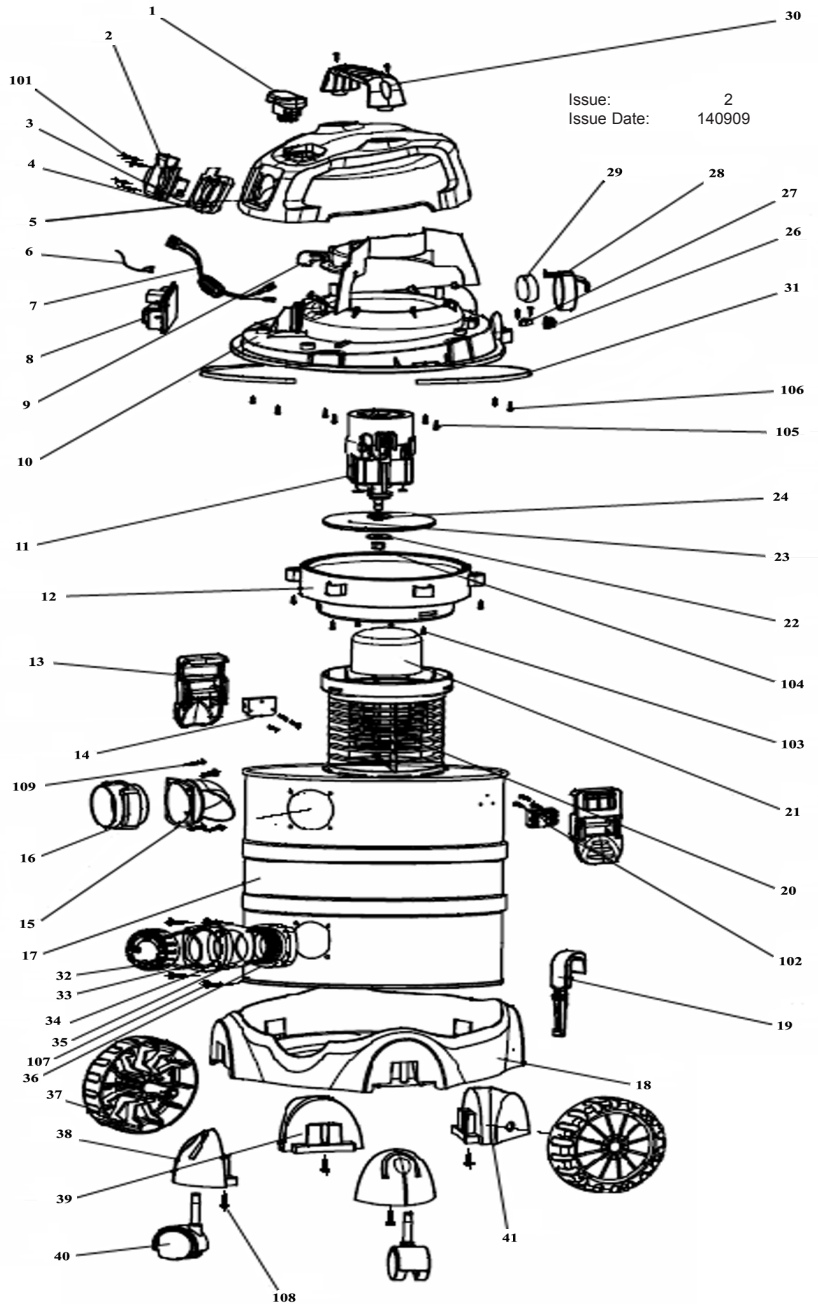


PARTS FOR:
VACUUM CLEANER INDUSTRIAL 20ltr 1400W / 230V
STAINLESS BIN (AUTO START)
MODEL: PC200SDAUTO.V3

ITEM	PART NO	DESCRIPTION
1	PC200SDAV3.01	SWITCH
2	PC200SDAV3.02	SOCKET
3	PC200SDAV3.03	SEAL RING
4	PC200SDAV3.04	WASHER
5	PC200SDAV3.05	UPPER COVER
6	PC200SDAV3.06	CORD
7	PC200SDAV3.07	INDUCTANCE SET
8	PC200SDAV3.08	PCB SET
9	PC200SD.V3-04	AIR OUTLET
10	PC200SD.V3-05	LOWER COVER
11	PC200SDAV3.11	MOTOR
12	PC200SD.V3-07	TRAY
13	PC200SD.V3-08	BIN CLIP
14	PC200SD.V3-24	HOOK BASE
15	PC200SD.V3-09	HOSE INLET BASE
16	PC200SD.V3-10	HOSE INLET
17	PC200SD.V3-11	TANK
18	PC200SD.V3-12	BASE
19	PC200SD.V3-35	CORD HOOK
20	PC200SD.V3-13	BASKET
21	PC200SD.V3-14	FLOAT
22	PC200SD.V3-15	BOARD
23	PC200SD.V3-16	FAN SET
24	PC200SD.V3-17	WASHER
26	PC200SD.V3-19	CORD SLEEVE
27	PC200SD.V3-20	CORD CLAMP
28	PC200SD.V3-21	FILTER COVER
29	PC200SD.V3-22	FOAM FILTER
30	PC200SD.V3-23	HANDLE
31	PC200SD.V3-36	FOAM RING
32	PC200SD.V3-30	WATERSPOUT COVER
33	PC200SD.V3-31	DRAIN INLET
34	PC200SD.V3-32	WATERSPOUT SEAT
35	PC200SD.V3-33	SEAL RING
36	PC200SD.V3-34	WATERSPOUT
37	PC200SDAV3.37	BIG WHEEL
38	PC200SD.V3-25	FOOT SUPPORT
39	PC200SD.V3-28	FOOT SUPPORT
40	PC200SD.V3-26	CASTOR
41	PC200SD.V3-29	FOOT SUPPORT
101	PC200SDAV3101	SCREW (ST4.2 x 10)
102	PC200SDV3.106	SCREW (ST3.5 x 8F)
103	PC200SDV3.102	SCREW (ST3.9 x 16F)
104	PC200SDV3.103	NUT M8
105	PC200SDV3.104	SCREW (ST4.2 x 12F)
106	PC200SDV3.105	SCREW (ST3.9 x 16F)
107	PC200SDV3.108	SCREW (ST4.2 x 14F)
108	PC200SDV3.107	SCREW (ST4.2 x 16F)
109	PC200SDV3.101	SCREW (ST3.9 x 14)



Issue: 2
 Issue Date: 140909



ACCESSORIES

ITEM	PART NO	DESCRIPTION
42	PC200SDAV3.42	HOSE 3M
43	PC200SDAV3.43	ADAPTOR
44	PC200SD.V3-38	TELESCOPIC TUBE (STAINLESS)
45	PC200SD.V3-39	CREVICE TOOL
46	PC200SD.V3-40	ADJUSTABLE TUBE, AIR
47	PC200SD.V3-41	FLOOR BRUSH
48	PC200SD.V3-42	NOISE DIFFUSER MUFFLER
49	PC200CFL	LOCKING CARTRIDGE FILTER
50	PC200FF10	FOAM FILTER (pk of 10)
--	PC300PB5	DUST COLLECTION BAGS (pk of 5)

NOTE: It is our policy to continually improve products and as such we reserve the right to alter data, specifications and component parts without prior notice.

IMPORTANT: No liability is accepted for incorrect use of product.

WARRANTY: Guarantee is 12 months from purchase date, proof of which will be required for any claim.

INFORMATION: For a copy of our latest catalogue and promotions call us on 01284 757525 and leave your full name and address, including postcode.