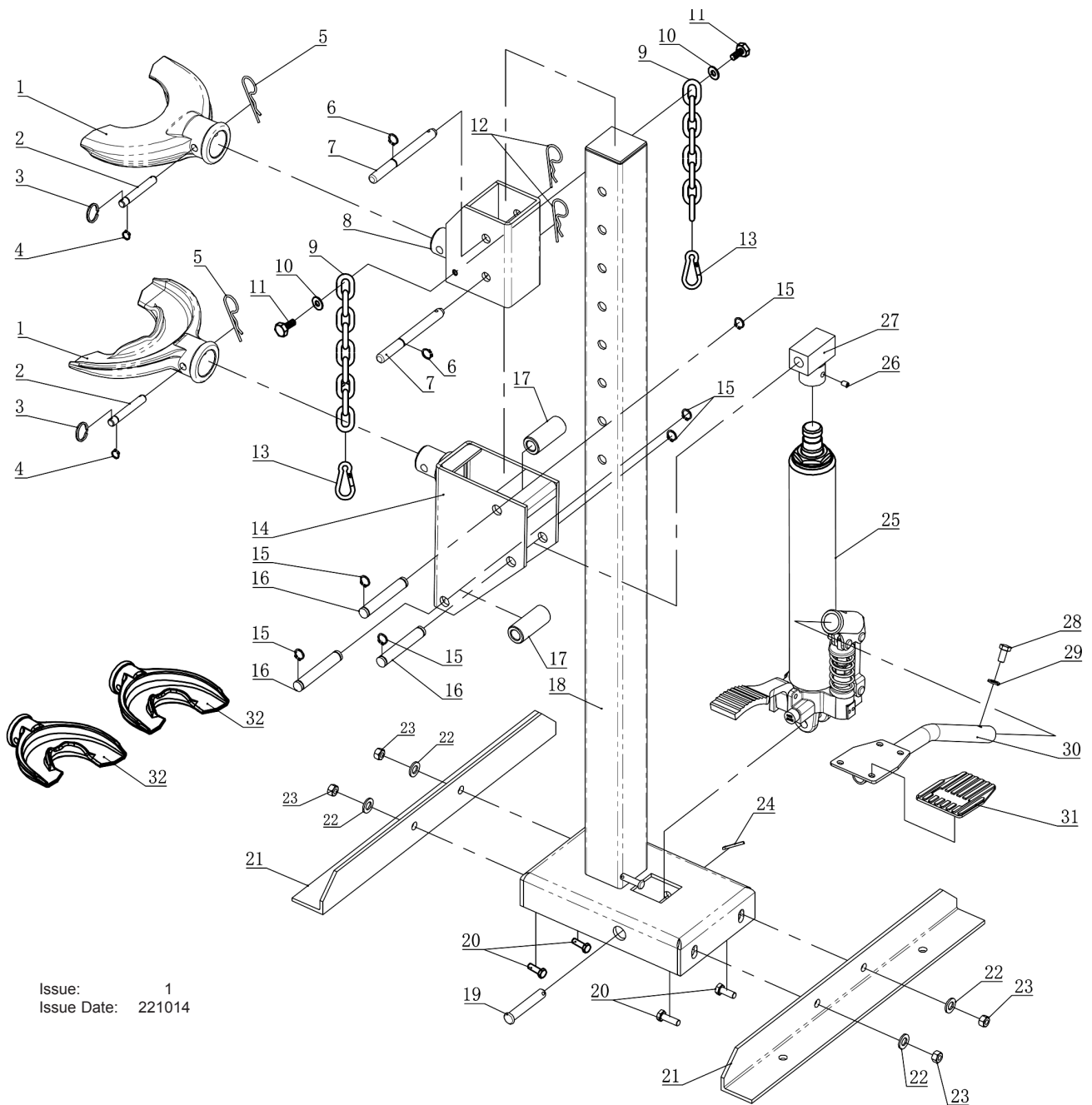




PARTS FOR:
COIL SPRING COMPRESSING STATION HYDRAULIC
1500kg CAPACITY
 MODEL: **RE231.V3**



Issue: 1
 Issue Date: 221014

ITEM	PART NO	DESCRIPTION	ITEM	PART NO	DESCRIPTION	ITEM	PART NO	DESCRIPTION
1	RE231.V3-01	CURVED COIL BRACKET (LARGE)	12	RE231.V3-12	R-PIN	24	RE231.V3-24	COTTER PIN
2	RE231.V3-02	PIN	13	RE231.V3-13	SHACKLE	25	RE231.V3-25	RAM
3	RE231.V3-03	STEEL RING	14	RE231.V3-14	LOWER STRUT SUPPORT	26	RE231.V3-26	BOLT
4	RE231.V3-04	RETAINING RING	15	RE231.V3-15	RETAINING RING	27	RE231.V3-27	SADDLE
5	RE231.V3-05	R-PIN	16	RE231.V3-16	PIN	28	RE231.V3-28	BOLT
6	RE231.V3-06	RETAINING RING	17	RE231.V3-17	BUSHING	29	RE231.V3-29	WASHER
7	RE231.V3-07	PIN	18	RE231.V3-18	UPRIGHT(MAIN FRAME)	30	RE231.V3-30	LIFT FOOT PEDAL
8	RE231.V3-08	UPPER STRUT SUPPORT	19	RE231.V3-19	PIN	31	RE231.V3-31	RUBBER PAD
9	RE231.V3-09	CHAIN	20	RE231.V3-20	BOLT	32	RE231.V3-32	CURVED COIL BRACKET (SMALL)
10	RE231.V3-10	WASHER	21	RE231.V3-21	BRACKET	33	RE231.V3-33	WASHER
11	RE231.V3-11	BOLT	22	RE231.V3-22	WASHER			
			23	RE231.V3-23	NUT			

NOTE: It is our policy to continually improve products and as such we reserve the right to alter data, specifications and component parts without prior notice.

IMPORTANT: No liability is accepted for incorrect use of product.

WARRANTY: Guarantee is 12 months from purchase date, proof of which will be required for any claim.

INFORMATION: For a copy of our latest catalogue and promotions call us on 01284 757525 and leave your full name and address, including postcode.



Sole UK Distributor,
 Sealey Group, Kempson Way,
 Suffolk Business Park,
 Bury St Edmunds, Suffolk, IP32 7AR



01284 757500



01284 703534



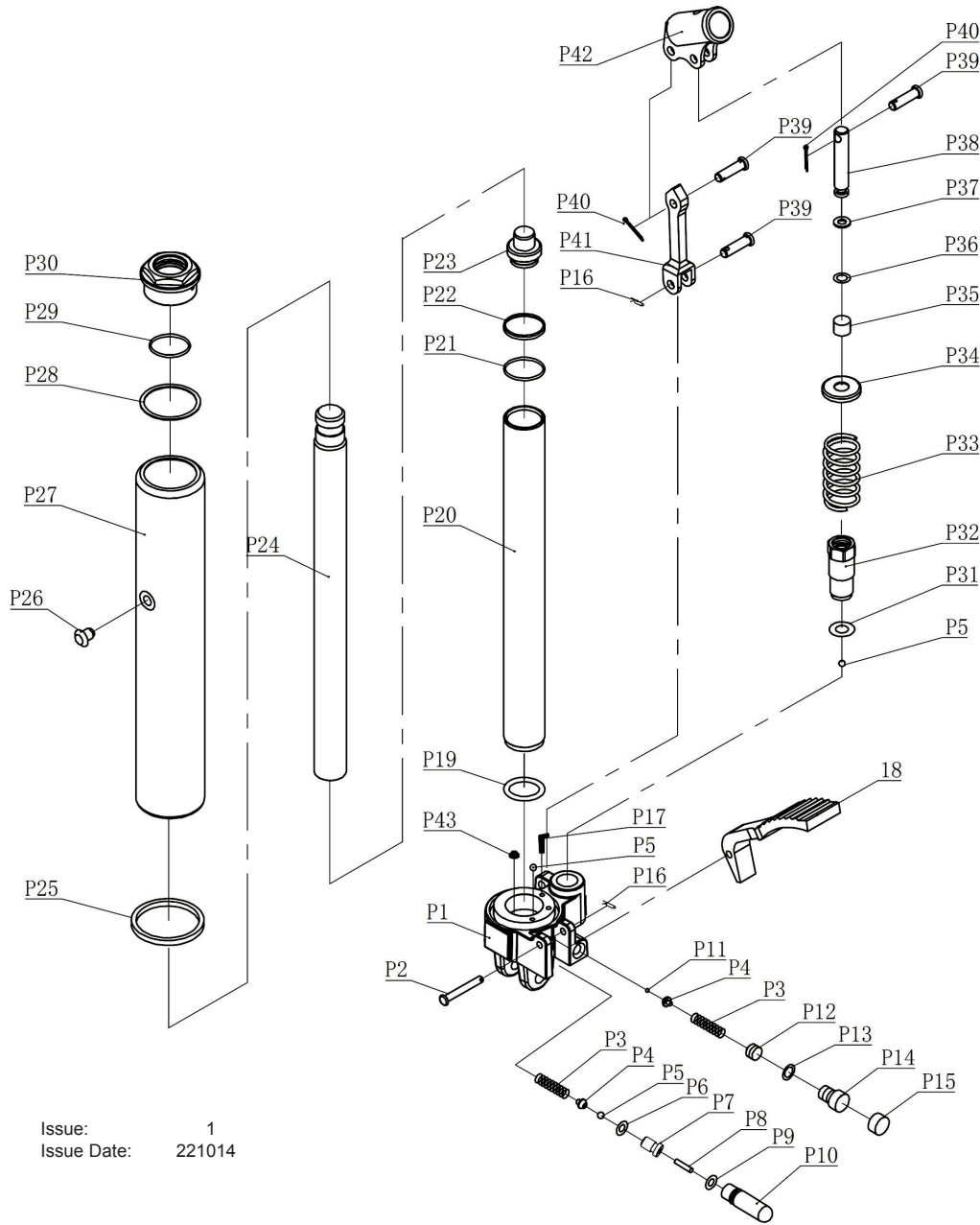
www.sealey.co.uk



sales@sealey.co.uk



PARTS FOR:
COIL SPRING COMPRESSING STATION HYDRAULIC
1500kg CAPACITY
 MODEL: **RE231.V3**



Issue: 1
 Issue Date: 221014

ITEM	PART NO	DESCRIPTION	ITEM	PART NO	DESCRIPTION	ITEM	PART NO	DESCRIPTION
P01	RE231.V3-P01	RAM BASE	P16	RE231.V3-P16	R-PIN	P31	RE231.V3-P31	WASHER
P02	RE231.V3-P02	PEDAL PIN	P17	RE231.V3-P17	OIL FILTER	P32	RE231.V3-P32	PUMP CYLINDER
P03	RE231.V3-P03	SPRING	P18	RE231.V3-P18	RELEASE FOOT PEDAL	P33	RE231.V3-P33	SPRING
P04	RE231.V3-P04	STEEL BALL HOLDER	P19	RE231.V3-P19	WASHER	P34	RE231.V3-P34	SPRING COVER
P05	RE231.V3-P05	STEEL BALL	P20	RE231.V3-P20	CYLINDER	P35	RE231.V3-P35	DUST STOP
P06	RE231.V3-P06	O-RING	P21	RE231.V3-P21	O-RING	P36	RE231.V3-P36	O-RING
P07	RE231.V3-P07	STEEL BALL CAP	P22	RE231.V3-P22	NYLON RING	P37	RE231.V3-P37	RING
P08	RE231.V3-P08	RELEASE VALVE ROD	P23	RE231.V3-P23	PISTON TOP	P38	RE231.V3-P38	PISTON
P09	RE231.V3-P09	O-RING	P24	RE231.V3-P24	PISTON ROD	P39	RE231.V3-P39	PIN
P10	RE231.V3-P10	RELEASE VALVE	P25	RE231.V3-P25	SEAL RING	P40	RE231.V3-P40	COTTER PIN
P11	RE231.V3-P11	STEEL BALL	P26	RE231.V3-P26	OIL FILLER PLUG	P41	RE231.V3-P41	LINK
P12	RE231.V3-P12	BOLT	P27	RE231.V3-P27	RESERVOIR	P42	RE231.V3-P42	HANDLE SOCKET
P13	RE231.V3-P13	O-RING	P28	RE231.V3-P28	NYLON RING	P43	RE231.V3-P43	OIL FILTER
P14	RE231.V3-P14	BOLT	P29	RE231.V3-P29	O-RING			
P15	RE231.V3-P15	PLASTIC CAP	P30	RE231.V3-P30	TOP NUT			

NOTE: It is our policy to continually improve products and as such we reserve the right to alter data, specifications and component parts without prior notice.

IMPORTANT: No liability is accepted for incorrect use of product.

WARRANTY: Guarantee is 12 months from purchase date, proof of which will be required for any claim.

INFORMATION: For a copy of our latest catalogue and promotions call us on 01284 757525 and leave your full name and address, including postcode.



Sole UK Distributor,
 Sealey Group, Kempson Way,
 Suffolk Business Park,
 Bury St Edmunds, Suffolk, IP32 7AR



01284 757500



01284 703534



www.sealey.co.uk



sales@sealey.co.uk