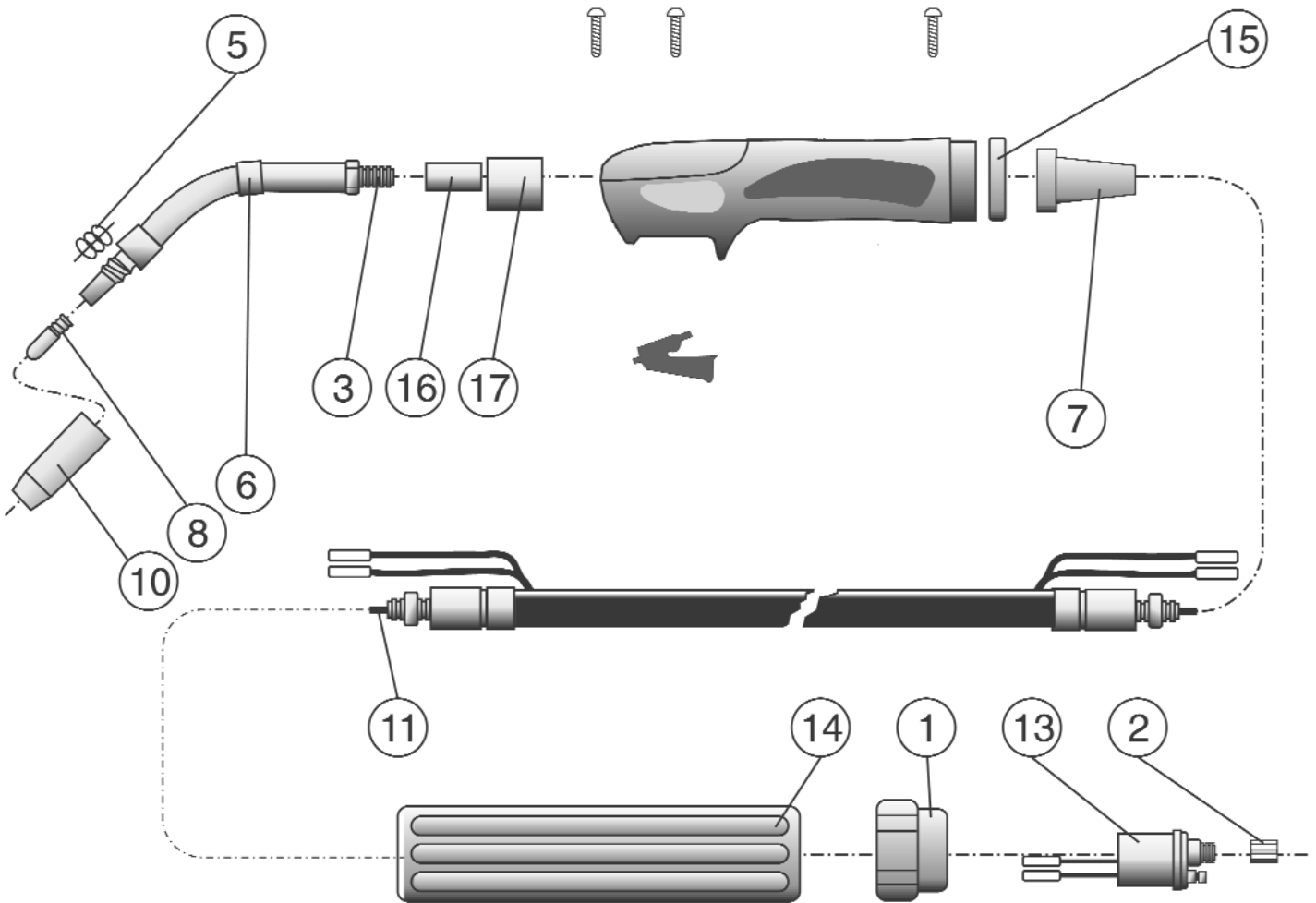


TORCH COMPLETE 120/742180

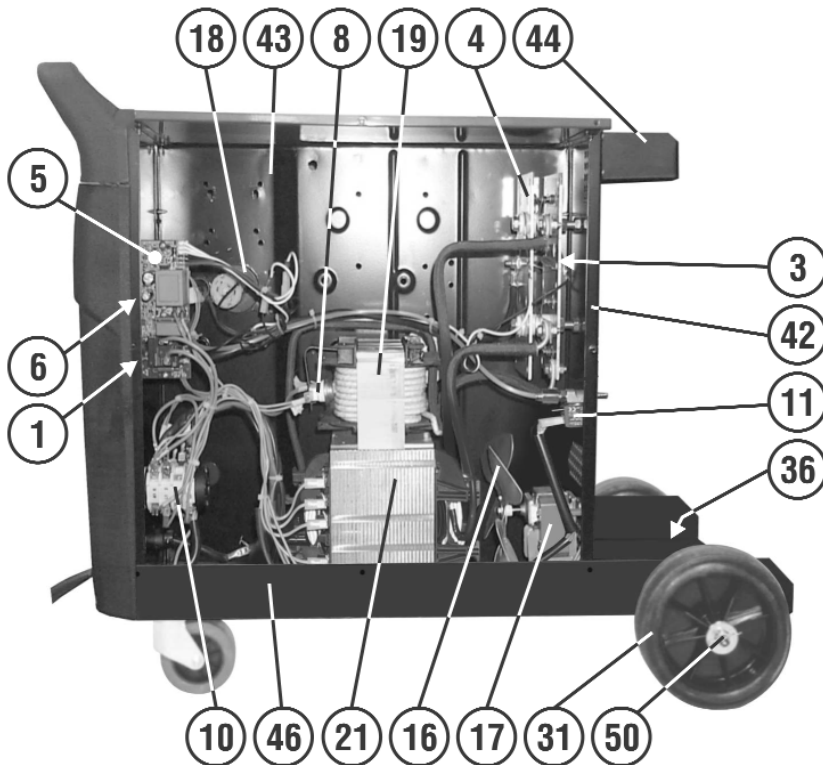
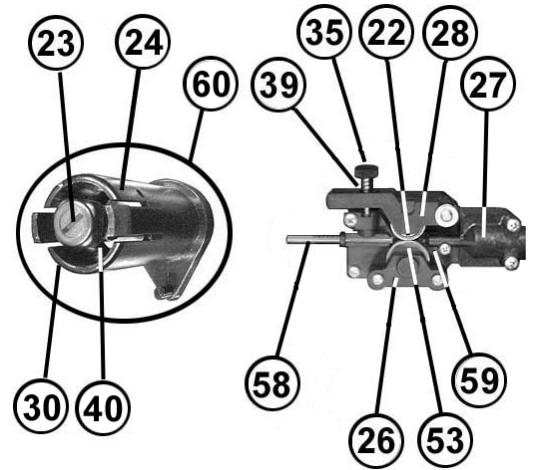
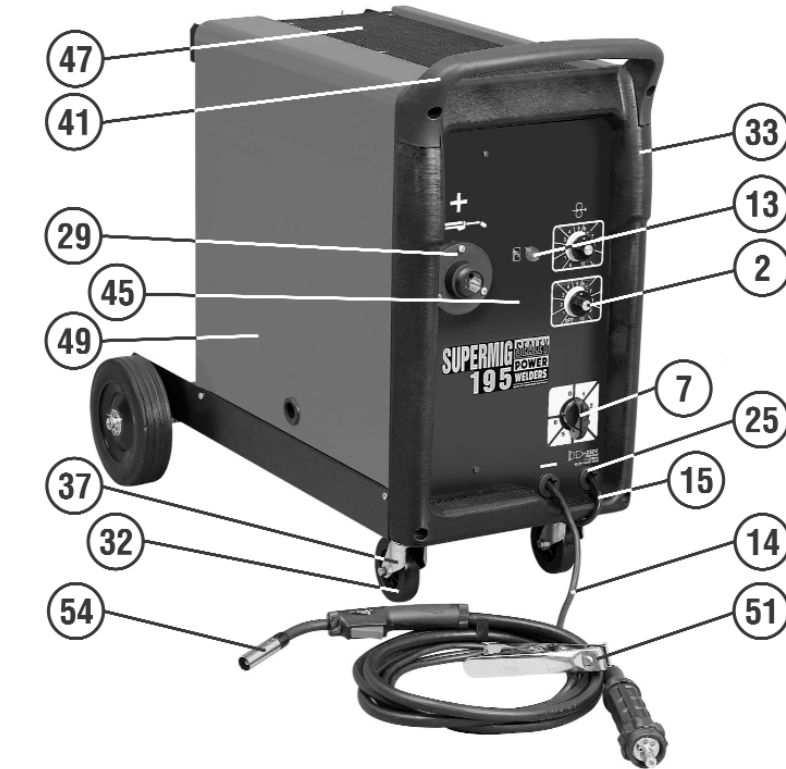


ISSUE NO. 2
 ISSUE DATE 240305

Item	Part No	Description	Item	Part No	Description
1	120/722007	Ring nut	10	168.200105	Nozzle, Cylinder TR - 15
2	120/722013	Nut, Liner retainer	10	120/722423	Nozzle, Conical TR - 15
3	120/722305	Lance and Diffuser TB15	11	168.301535	Liner,T, 0.6 - 0.8mm 3mt Steel
5	120/722319	Spring for nozzle	11	120/722689	Liner,T, 1.0 - 1.2mm 3mt Steel
6	120/722326	Insulation, diffuser	13	120/722441	Termination connector
7	120/742172	Torch holder	14	120/742175	Gun plug housing
8	120/722415	Contact tip 0.6mm (AF1)	15	120/722171	Ring nut
8	120/722416	Contact tip 0.8mm(AF1)	16	120/722325	Front torch part
8	120/722552	Contact tip 1.0mm ALLY (AF1)	17	120/722693	Insulation Block, Torch part
8	120/722553	Contact tip 1.2mm ALLY (AF1)			
8	120/722556	Contact tip 0.8mm ALLY			

NOTE: It is our policy to continually improve products and as such we reserve the right to alter data, specifications and component parts without prior notice.
IMPORTANT: No liability is accepted for incorrect use of product. **WARRANTY:** Guarantee is 12 months from purchase date, proof of which will be required for any claim.
INFORMATION: For a copy of our latest catalogue and promotions call us on 01284 757525 and leave your full name and address including your postcode.

	Sole UK Distributor Sealey Group, Bury St. Edmunds, Suffolk.	01284 757500 01284 703534	www.sealey.co.uk sales@sealey.co.uk
--	--	------------------------------	--

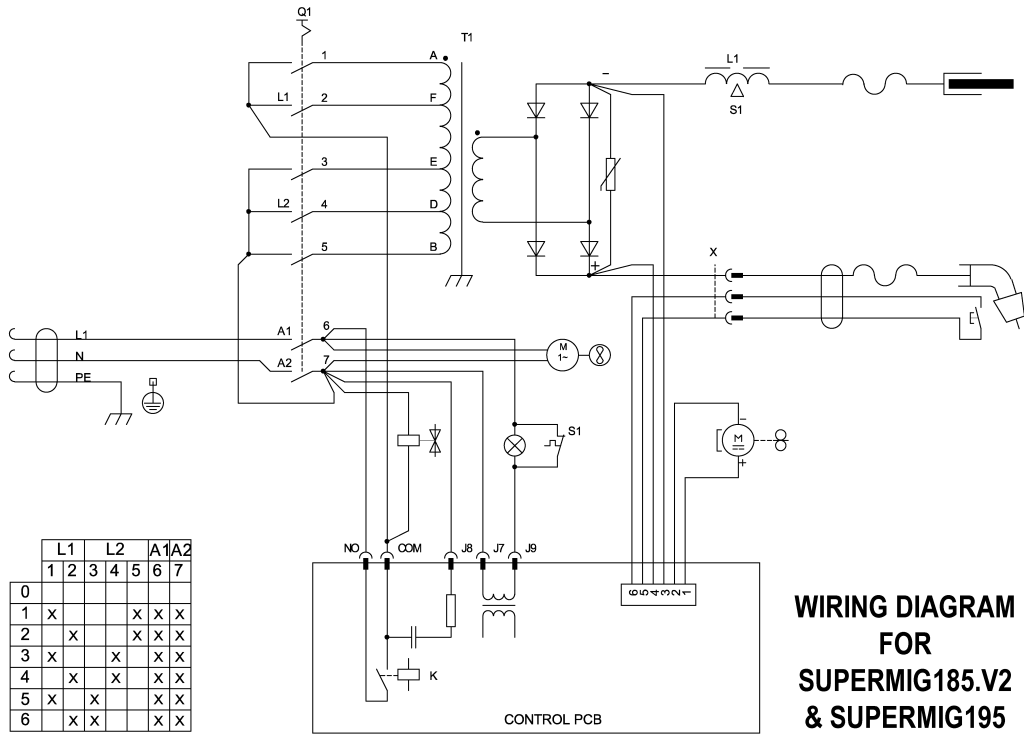


Item	Part No	Description
1	120.113858	Potentiometer
2	120/112125	Knob, Potentiometer
3	120/112183	Protection, rectifier
4	120/112227	Rectifier
5	120.114306	Wire feed PCB
6	120.113533	Potentiometer
7	120.322901	Knob for switch
8	120/122329	Thermostat
10	120.121510	Switch
11	120/122035	Electro-valve
13	120/122707	Light
14	120/120302	Cable
15	MC3CX2.5	Mains cable
16	120/152054	Blade, fan
17	120/152110	Motor, fan
18	120/153007	Wire feed motor
19	120/169371	Reactance
21	120.169296	Transformer
22	B/609Z	Counter roller (bearing)
23	120/312137	Knob
24	120/322081	Spindle, sleeve/spacer type
25	120/322112	Bushing, cable
26	120/322126	Casing, feeder roller shaft
27	120/322127	Casing, torch fixing
28	120/322128	Bracket, counter roller
29	120/723051	Connection, torch
30	120/322180	Spacer collar
31	120/322200	Wheel (fixed)
32	120/322246	Wheel
33	120.322641	Plastic frame
35	120/422257	Knob, counter roller tension
36	120/422817	Bracket, axle
37	120/422969	Bracket, castor
38	120/432102	Ball nosed adaptor (not shown)
39	120/452022	Spring, counter roller tension
40	120/452057	Spring
41	120/312328	Handle
42	120/644757	Back panel
43	120/644078	Diaphragm
44	120/644606	Bracket (bottle)
45	120.699567	Front panel
46	120.644961	Bottom (black)
47	120.655320	Cover
49	120.655319	Door
50	120/681092	Axle, wheel
51	120/712030	Clamp, earth
53	120/722019	Feed roller 0.6 - 0.8
54	120/742180	TORCH
55	REG/MT	Regulator (2 gauges) not shown
58	120/990097	Guide hose
59	120/990257	Gear set
60	120/990264	Spindle Kit

NOTE: It is our policy to continually improve products and as such we reserve the right to alter data, specifications and component parts without prior notice.

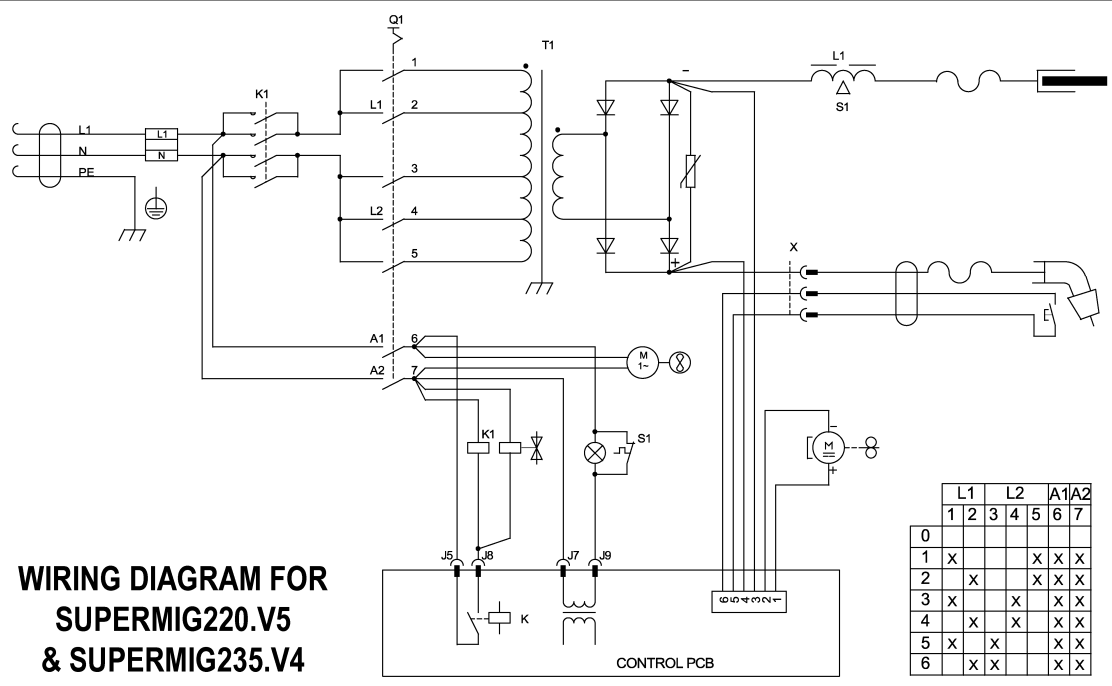
IMPORTANT: No liability is accepted for incorrect use of product. **WARRANTY:** Guarantee is 12 months from purchase date, proof of which will be required for any claim.

INFORMATION: For a copy of our latest catalogue and promotions call us on 01284 757525 and leave your full name and address including your postcode.



	L1	L2	A1	A2
0				
1	X		X	X
2		X	X	X
3	X		X	X
4		X	X	X
5	X	X	X	X
6	X	X	X	X

WIRING DIAGRAM FOR SUPERMIG185.V2 & SUPERMIG195



WIRING DIAGRAM FOR SUPERMIG220.V5 & SUPERMIG235.V4

	L1	L2	A1	A2
0				
1	X		X	X
2		X	X	X
3	X		X	X
4		X	X	X
5	X	X	X	X
6	X	X	X	X

NOTE: It is our policy to continually improve products and as such we reserve the right to alter data, specifications and component parts without prior notice.
IMPORTANT: No liability is accepted for incorrect use of product. **WARRANTY:** Guarantee is 12 months from purchase date, proof of which will be required for any claim.
INFORMATION: For a copy of our latest catalogue and promotions call us on 01284 757525 and leave your full name and address including your postcode.

	Sole UK Distributor Sealey Group, Bury St. Edmunds, Suffolk.	01284 757500 01284 703534	www.sealey.co.uk sales@sealey.co.uk
--	---	------------------------------	--