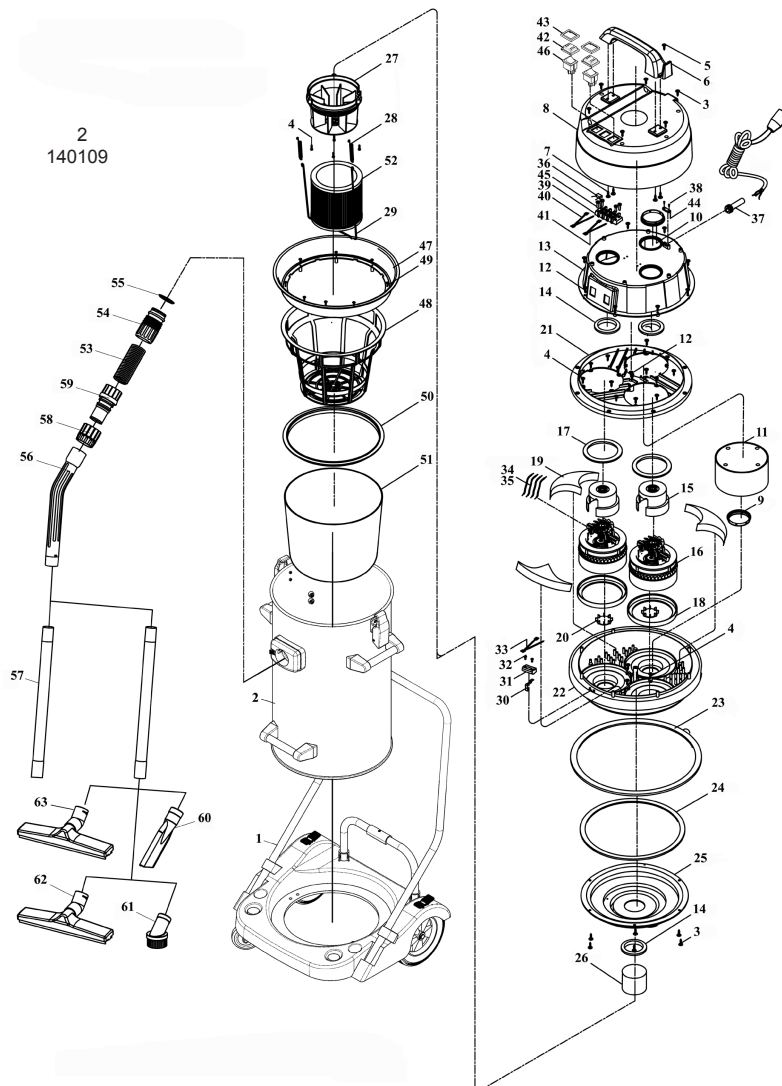
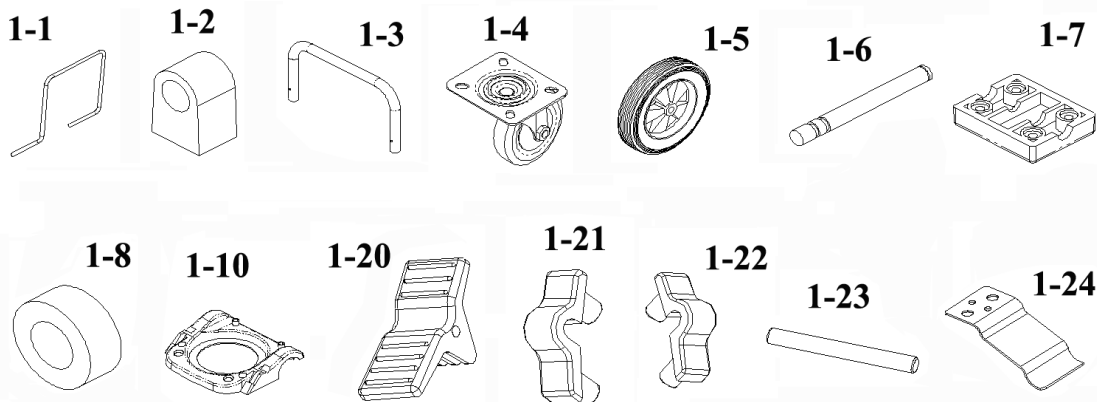


PARTS DIAGRAM

Issue: 2
 Issue Date: 140109



TROLLEY PARTS



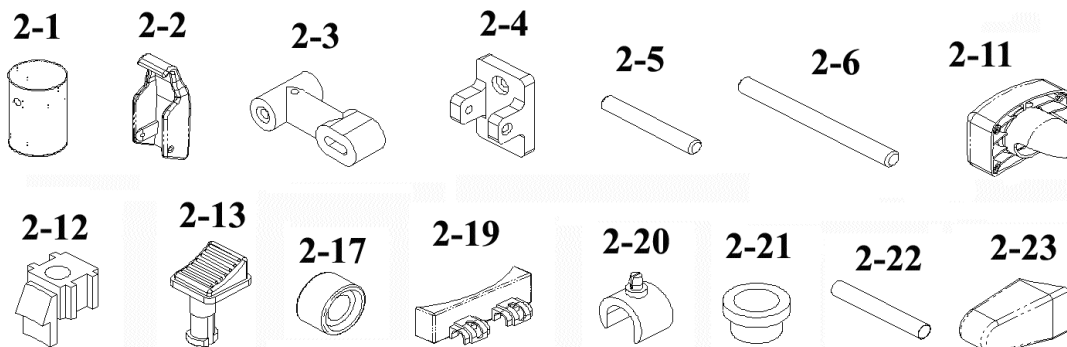
NOTE: It is our policy to continually improve products and as such we reserve the right to alter data, specifications and component parts without prior notice.

IMPORTANT: No liability is accepted for incorrect use of product.

WARRANTY: Guarantee is 12 months from purchase date, proof of which will be required for any claim.

INFORMATION: For a copy of our latest catalogue and promotions call us on 01284 757525 and leave your full name and address, including postcode.

TANK PARTS



PARTS LIST

Item	Part No	Description	Item	Part No	Description
1	PC477.01	TROLLEY ASS'Y	18	PC477.04-16	GASKET
1-1	PC477.01-1	HANDLE	19	PC477.04-17	FOAM FILTER
1-2	PC477.01-2	HOLDER	20	PC477.04-18	BLANKING PLATE
1-3	PC477.01-5	SUPPORT HANDLE	21	PC477.04-19	BASE
1-4	PC455.01-4	CASTOR WHEEL	22	PC477.04-20	MOTOR BASE
1-5	PC477.01-10	FIXED WHEEL	23	PC477.04-21	GASKET
1-6	PC477.01-11	SHAFT	24	PC477.04-22	GASKET
1-7	PC455.01-7	PLATE	25	PC477.04-23	BOTTOM BASE
1-8	PC455.01-8	HOLDER	26	PC477.04-25	FLOAT
1-10	PC477.01-17	TROLLEY BASE	27	PC477.04-26	FLOAT FRAME
1-20	PC455.01-20	PEDAL	28	PC477.04-27	SPRING
	PC455.01-20A	SPRING	29	PC477.04-29	HOOK
1-21	PC455.01-21	HOLDER, LEFT	30	PC477.04-30	PLATE
1-22	PC455.01-22	HOLDER, RIGHT	31	PC477.04-31	PLATE
1-23	PC455.01-23	PIN	32	PC477.04-32	SCREW (M3x8)
1-24	PC477.01-23	BRAKE PLATE	33	PC477.04-33	WIRE
2	PC477.02	TANK ASS'Y	34	PC477.05-11	WIRE
2-1	PC477.02-1	TANK	35	PC477.05-12	WIRE
2-2	PC455.02-2	TANK CLIP	36	PC477.05-13	CAPACITOR (0.1uf)
2-3	PC455.02-3	HOLDER	37	PC477.05-2	CORD HOLDER
2-4	PC455.02-4	BASE	38	PC477.05-4	SCREW
2-5	PC455.02-5	PIN, SHORT	39	PC477.05-5	TERMINAL BLOCK
2-6	PC455.02-6	PIN, LONG	40	PC477.05-6	WIRE
2-11	PC455.02-11	SUCTION COUPLER	41	PC477.05-7	WIRE
2-12	PC455.02-12	HOLDER	42	PC477.05-8	TRANSPARENT COVER
2-13	PC455.02-13	BUTTON	43	PC477.05-9	TRANSPARENT COVER
2-17	PC455.02-17	HOLDER	44	PC455.03-27	PLATE
2-19	PC455.02-19	CLIP	45	PC455.03-44	SCREW (M4x16)
2-20	PC455.02-20	FIXED HOLDER	46	PC455.03-48	SWITCH
2-21	PC455.02-21	KNOB	--	PC477.CF	CLOTH FILTER ASS'Y
2-22	PC455.02-22	HANDLE	47	PC477.03-1	FRAME HOLDER
2-23	PC455.02-23	HANDLE HOLDER	48	PC477.03-2	FRAME
	PC477.04	TOP HEAD ASSEMBLY	49	PC477.03-3	SCREW (M4x18)
3	PC477.04-1	SCREW (M5x16)	50	PC477.03-4	FIXING RING
4	PC477.04-2	SCREW (M5x20)	51	PC477.03-5	CLOTH FILTER
5	PC477.04-3	SCREW (M5x63)	52	PC477.PF	CARTRIDGE FILTER
6	PC477.04-4	HANDLE	53	PC455.05-1	HOSE 3m
7	PC477.04-5	SCREW	54	PC455.05-2	CONNECTOR
8	PC477.04-6	TOP HOUSING	55	PC455.05-3	SEAL
9	PC477.04-7	BLOCKER	56	PC455.05-4	ELBOW CONNECTOR
10	PC477.04-8	UPPER BLOCKER	57	PC455.05-5	TUBE EXTENSION
11	PC477.04-9	BLANKING CAP	58	PC455.05-6	CONNECTOR
12	PC477.04-10	SCREW	59	PC455.05-7	CONNECTOR
13	PC477.04-11	MIDDLE COVER	60	PC455.05-8	CREVICE TOOL
14	PC477.04-12	GASKET	61	PC455.05-9	ROUND BRUSH
15	PC477.04-13	FAN COVER	62	PC477.07	BRUSH NOZZLE COMPLETE
16	PC477.03-22	MOTOR	63	PC477.08	SQUEEGEE NOZZLE COMPLETE
17	PC477.04-15	FOAM FILTER	--	PC477AK1	FRONT MOUNTED SQUEEGEE (not shown)

NOTE: It is our policy to continually improve products and as such we reserve the right to alter data, specifications and component parts without prior notice.

IMPORTANT: No liability is accepted for incorrect use of product.

WARRANTY: Guarantee is 12 months from purchase date, proof of which will be required for any claim.

INFORMATION: For a copy of our latest catalogue and promotions call us on 01284 757525 and leave your full name and address, including postcode.