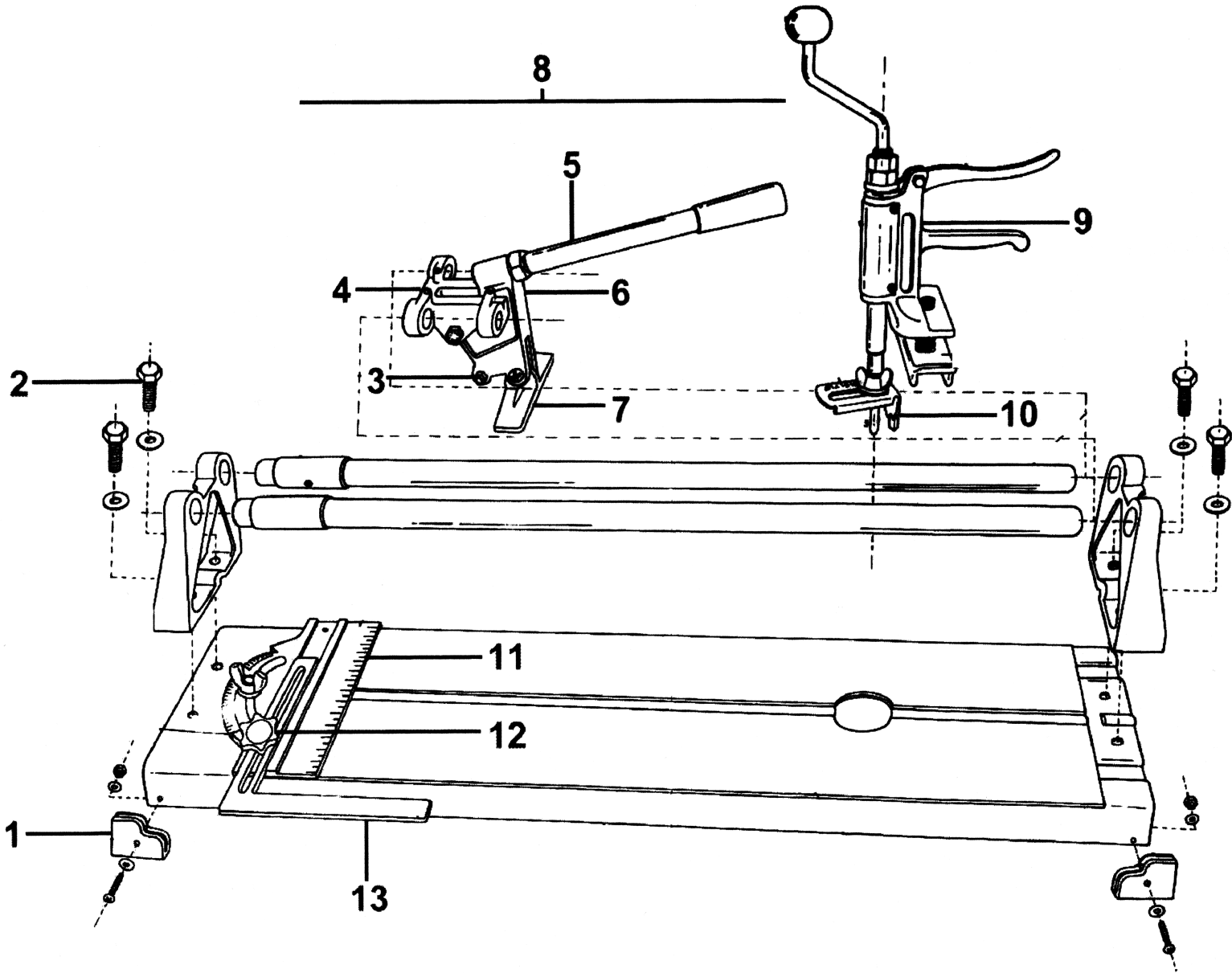


TILE CUTTING MACHINE

■ STOCK No.24693.

■ PART No.TCM3

SPARE PARTS LISTING & ASSEMBLY DRAWING 05/2002



KEY No.	PART No.	STOCK No.	DESCRIPTION
1	YTCM3-01	35404	Foot kit
2	YTCM3-02	30019	Fixing kit
3	YTCM3-03	25540	Cutting wheel
4	YTCM3-04	33088	Slider bracket
5	YTCM3-05	33076	Handle
6	YTCM3-06	33077	Handle bracket
7	YTCM3-07	30866	"V" foot

KEY No.	PART No.	STOCK No.	DESCRIPTION
8	YTCM3-08	35400	Cutter assembly (without cutting wheel)
9	YTCM3-09	35406	Drill assembly
10	YTCM3-10	25539	Hole cutter with pilot drill
11	YTCM3-11	35403	Scale
12	YTCM3-12	35408	Locking bolt kit
13	YTCM3-13	35402	Square