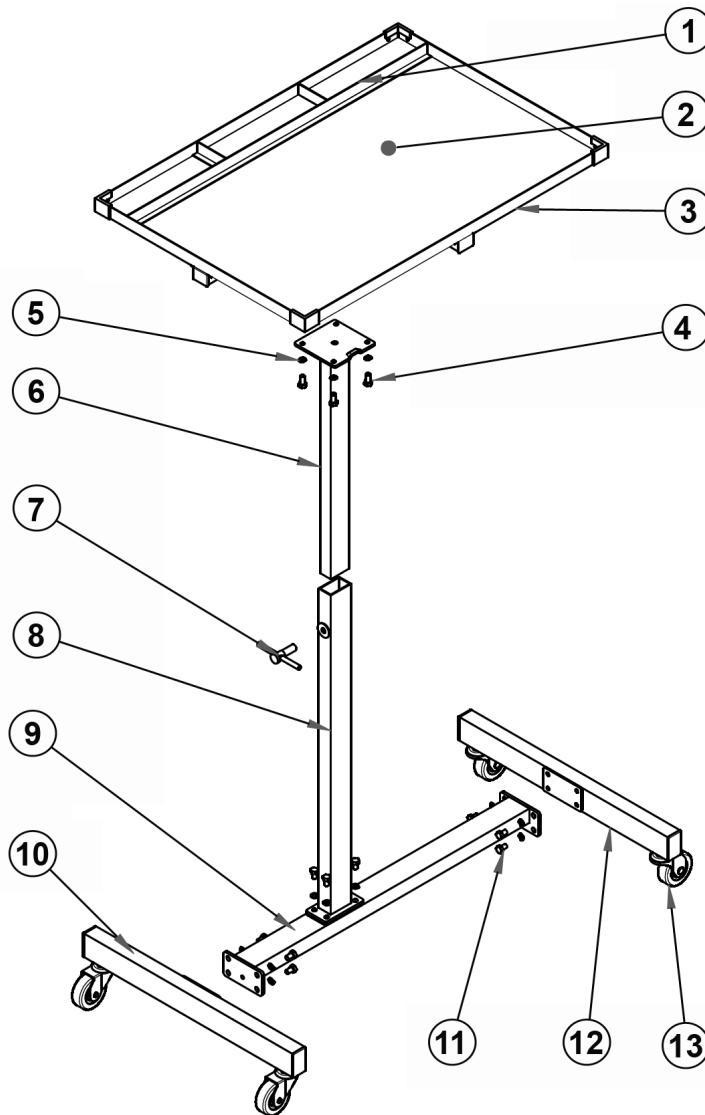




PARTS FOR:
**MOBILE WORKSTATION -
 ADJUSTABLE HEIGHT**
 MODEL: **AP200.V2**



Issue: 1
 Issue Date: 261114

ITEM	PART NO	DESCRIPTION
1	AP200.V2-01	RUBBER MAT (SMALL)
2	AP200.V2-02	RUBBER MAT (LARGE)
3	AP200.V2-03	TABLE
4	AP200.V2-04	TABLE MOUNTING BRACKET
5	AP200.V2-05	SPRING WASHER
6	AP200.V2-06	TABLE MOUNTING FRAME
7	AP200.V2-07	TABLE ADJUSTING SCREW
8	AP200.V2-08	UPRIGHT BASE ASS'Y
9	AP200.V2-09	UPRIGHT BASE
10	AP200.V2-10	WHEEL FRAME (LEFT)
11	AP200.V2-11	FRAME SECURING BOLT
12	AP200.V2-12	WHEEL FRAME (RIGHT)
13	AP200.V2-13	CASTOR WHEEL

NOTE: It is our policy to continually improve products and as such we reserve the right to alter data, specifications and component parts without prior notice.

IMPORTANT: No liability is accepted for incorrect use of product.

WARRANTY: Guarantee is 12 months from purchase date, proof of which will be required for any claim.

INFORMATION: For a copy of our latest catalogue and promotions call us on 01284 757525 and leave your full name and address, including postcode.



Sole UK Distributor,
 Sealey Group, Kempson Way,
 Suffolk Business Park,
 Bury St Edmunds, Suffolk, IP32 7AR



01284 757500



01284 703534



www.sealey.co.uk



sales@sealey.co.uk