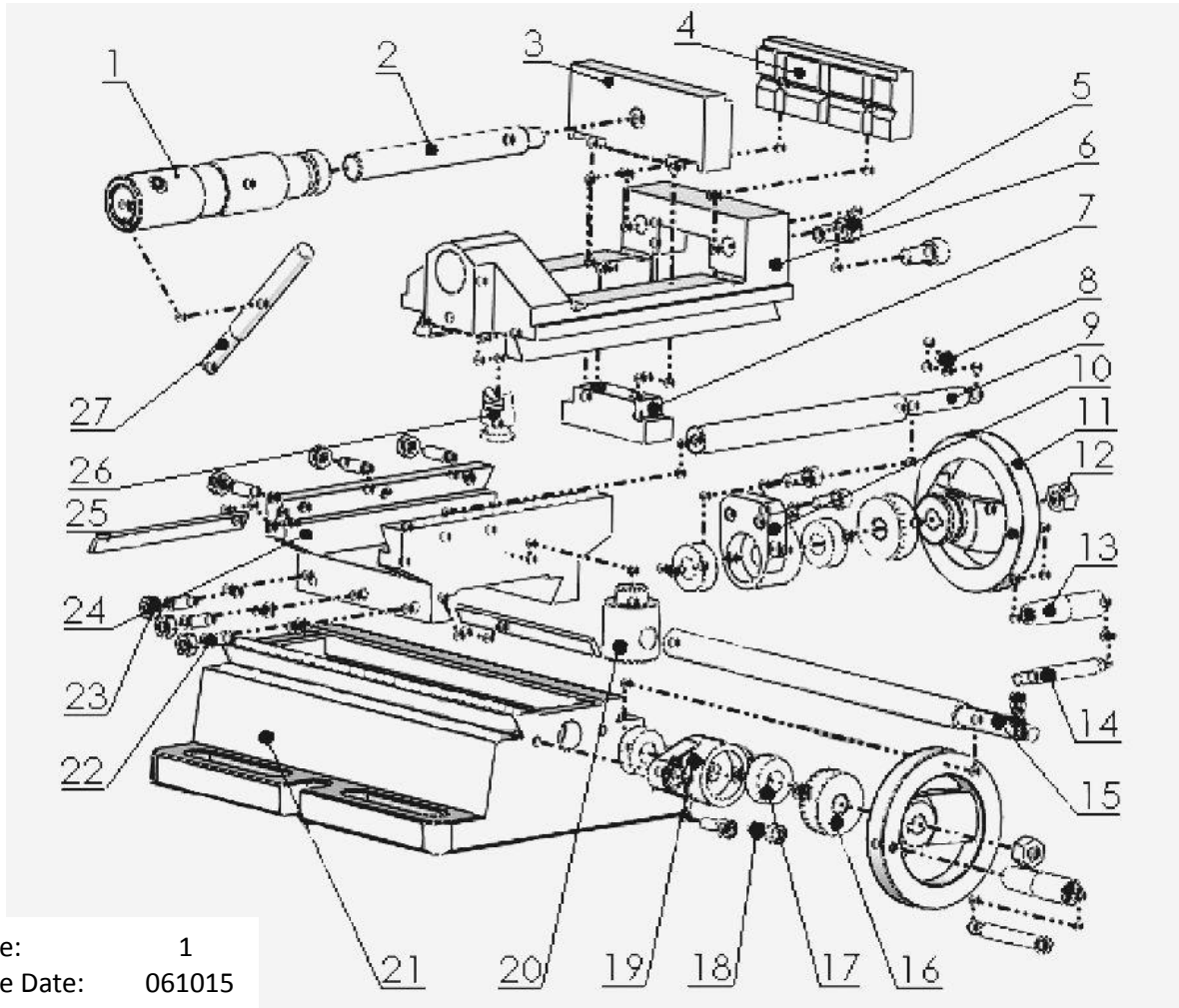




PARTS FOR:
CROSS VICE PROFESSIONAL 150mm
MODEL : CV6P



Issue: 1
 Issue Date: 061015

| ITEM | PART NO | DESCRIPTION | ITEM | PART NO | DESCRIPTION |
|------|---------|------------------|------|---------|----------------|
| 1 | CV6P.01 | HANDLE SLEEVE | 15 | CV6P.15 | LEAD SCREW |
| 2 | CV6P.02 | UPPER LEAD SCREW | 16 | CV6P.16 | SCALE RING |
| 3 | CV6P.03 | MOVING JAW | 17 | CV6P.17 | BUSHING |
| 4 | CV6P.04 | FIXED JAW | 18 | CV6P.18 | SET SCREW |
| 5 | CV6P.05 | SET SCREW | 19 | CV6P.19 | NUT HOLDER |
| 6 | CV6P.06 | UPPER BASE | 20 | CV6P.20 | LEAD SCREW NUT |
| 7 | CV6P.07 | FIX PLATE | 21 | CV6P.21 | BASE |
| 8 | CV6P.08 | KEY WAY | 22 | CV6P.22 | POINTED SCREW |
| 9 | CV6P.09 | LEAD SCREW | 23 | CV6P.23 | HEX NUT |
| 10 | CV6P.10 | NUT HOLDER | 24 | CV6P.24 | CROSS BASE |
| 11 | CV6P.11 | HANDWHEEL | 25 | CV6P.25 | SPACER |
| 12 | CV6P.12 | LOCK NUT M8 | 26 | CV6P.26 | LOCKING PIN |
| 13 | CV6P.13 | CRANK HANDLE | 27 | CV6P.27 | HANDLE BAR |
| 14 | CV6P.14 | CRANK LEVER | | | |



Sole Uk Distributor
 Sealey Group, Kempson Way,
 Suffolk Business Park,
 Bury St Edmunds, Suffolk. IP32 7AR

01284 757500
 01284 703534

www.sealey.co.uk
 sales@sealey.co.uk