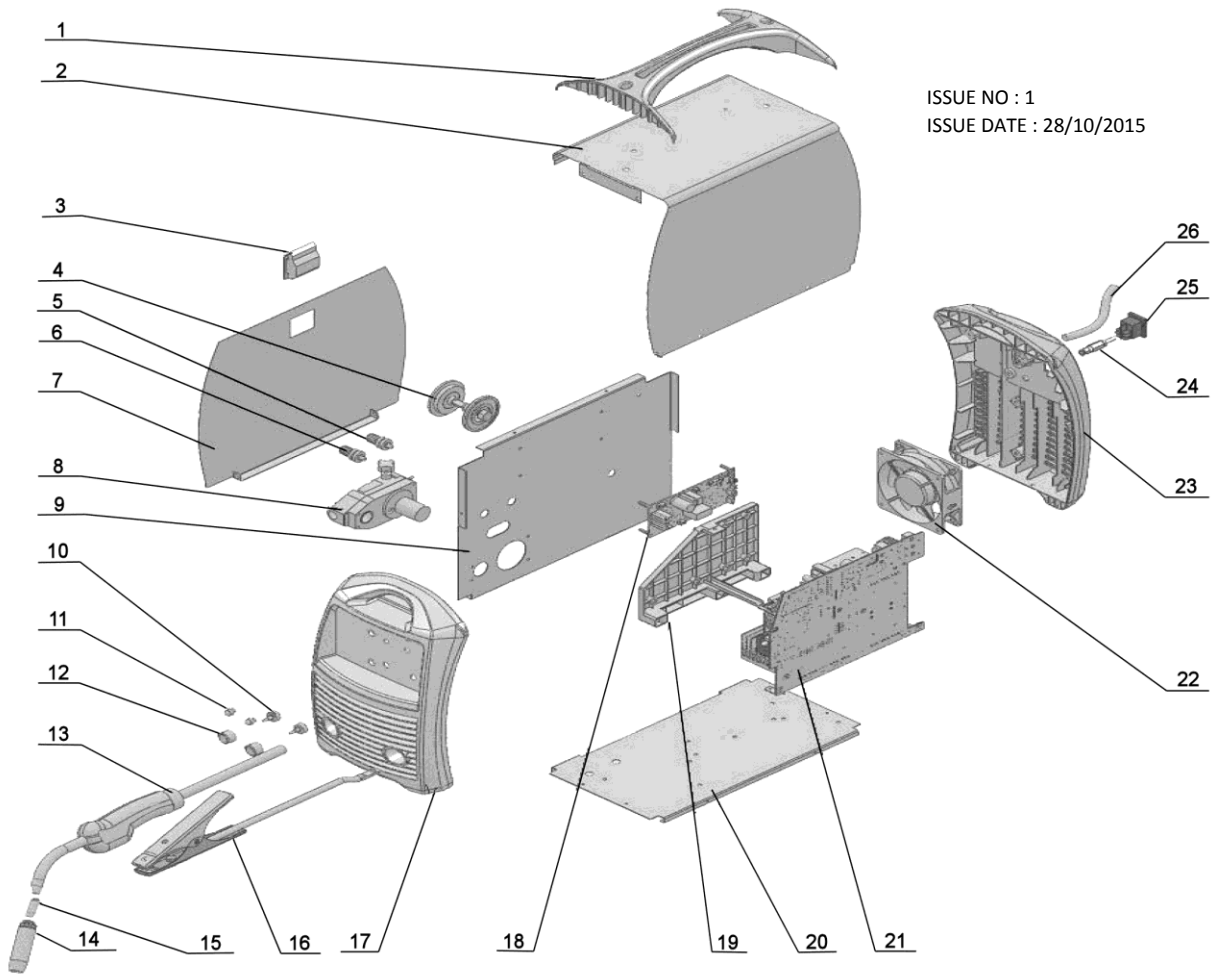




PARTS FOR:
MIG WELDER INVERTER
MODELS: IMIG160 / IMIG180



ISSUE NO : 1
 ISSUE DATE : 28/10/2015

ITEM	PART NO	DESCRIPTION	ITEM	PART NO	DESCRIPTION
1	IMIG180.01	HANDLE	14	IMIG180.14	CONICAL NOZZLE
2	IMIG180.02	COVER	15	IMIG180.15	CONTACT TIP
3	IMIG180.03	LATCH	16	IMIG180.16	EARTH CABLE & CLAMP
4	IMIG180.04	SPOOL	17	IMIG180.17	FRONT PANEL
5	IMIG180.05	SUPPORT POST (RED)	18	IMIG180.18	CONTROL PCB BOARD
6	IMIG180.06	SUPPORT POST (BLACK)	19	IMIG160.19-21	MAIN PCB BOARD (IMIG160 only)
7	IMIG180.07	PANEL, LEFT SIDE		IMIG180.19-21	MAIN PCB BOARD (IMIG180 only)
8	IMIG180.08	WIRE FEED MOTOR	20	IMIG180.20	BOTTOM PANEL
9	IMIG180.09	MIDDLE PANEL	21	IMIG180.21	FAN
10	IMIG180.10	POTENTIOMETER KNOB	22	IMIG180.22	BACK PANEL
11	IMIG180.11	INDICATOR LIGHT	23	IMIG180.23	GAS-VALVE CONNECTOR
12	IMIG180.12	POTENTIOMETER KNOB	24	IMIG180.24A	GAS-VALVE FITTING
13	IMIG160.13	MIG TORCH (IMIG160 only)	25	IMIG180.25	ROCKER SWITCH
	IMIG180.13	MIG TORCH (IMIG180 only)	26	IMIG180.26	POWER CORD



Sole UK Distributor,
 Sealey Group, Kempson Way,
 Suffolk Business Park,
 Bury St Edmunds, Suffolk, IP32 7AR



01284 757500



01284 703534



www.sealey.co.uk



sales@sealey.co.uk