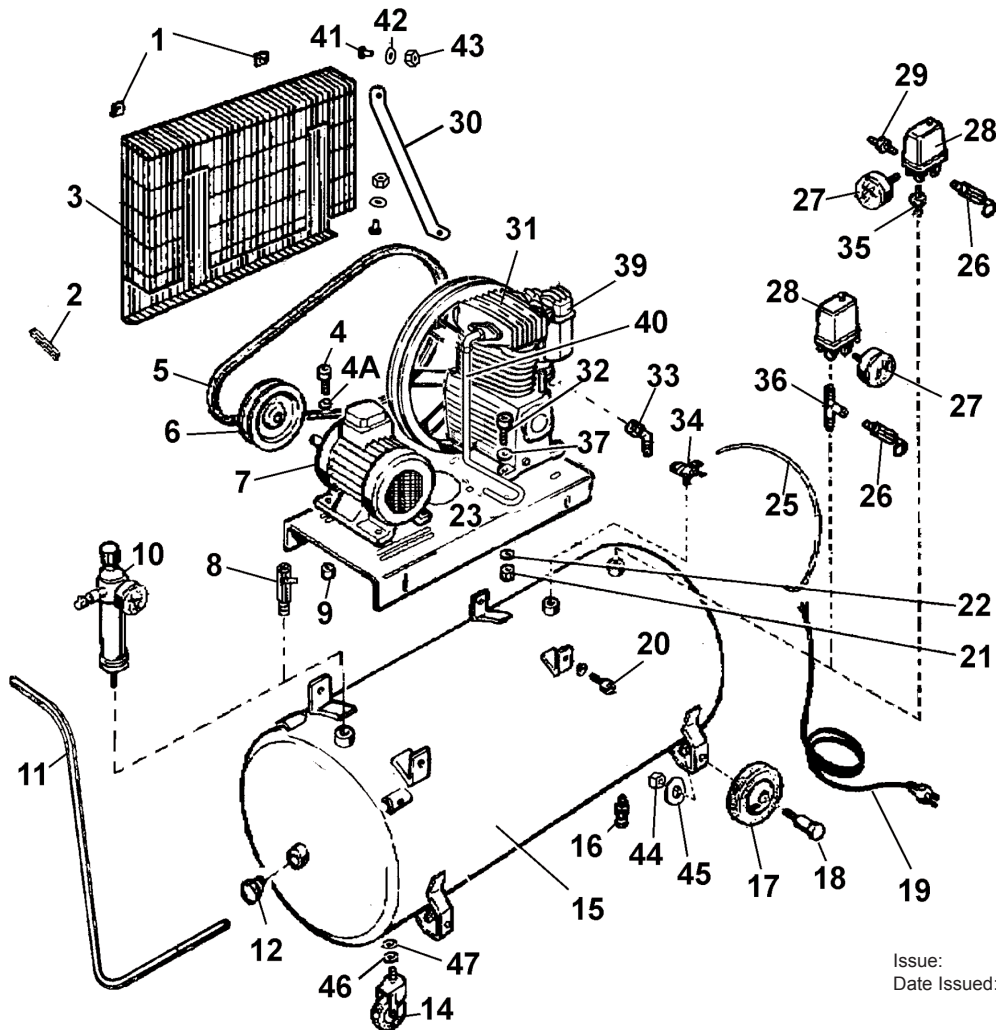


PARTS LIST FOR: COMPRESSORS

MODELS: SA2110/3.V2, SA2115/3.V2 &
SA2120/3.V2



Issue: 1
Date Issued: 25/06/2009

ITEM	PART NO	DESCRIPTION	ITEM	PART NO	DESCRIPTION	ITEM	PART NO	DESCRIPTION
1	SH13400050	PULLEY GUARD FIX BLOCK	20	SH37302430	SCREW	40	SH14303380	DELIVERY PIPE(SA2110/3)
2	SH13400020	ANTI-VIBRATION BAR	21	SH17400080	NUT	40	SH14303050	DELIVERY PIPE
3	SH13400190	PULLEY GUARD	22	SH17500090	WASHER	41	SH17300230	BOLT
4	SH17300260	SCREW	23	SH1420148C	MOUNT PLATE	42	SH17500160	WASHER 8x24mm
4A	SH17500140	WASHER	25	SH14300980	AIR PIPE PLASTIC	43	SH17400080	NUT
5	SH13900340	BELT (A49)	26	SH14401340	SAFETY VALVE	44	SH17400100	NUT
6	SH13500800	PULLEY 130mm	27	SH15000060	GAUGE 1/4" (0-20 BAR)	45	SH17400110	WASHER
7	SH10701560	MOTOR, 3HP SOFT START	28	SH12800330	PRESSURE SWITCH 3/8"	46	SH17400100	NUT
8	SH15300260	OUTLET TAP 1/2" BSP	26	SH15300240	TAP	47	SH17500110	WASHER
9	SH17400080	NUT	30	SH14201450	BELT GUARD BRACKET			
10	SH13000350	REGULATOR	31	SHK170790S	PUMP			
11	SH14200280	HANDLE	32	SH17300260	SCREW			
12	SH16901960	2" PLUG	33	SH16900990	UNION 90°1/2" BSP			
14	SH13200120	WHEEL, CASTOR	34	SH14401570	NON RETURN VALVE 3/8" (SA2110/3)			
15	SH11903550	TANK 100ltr	34	SH14400270	NON RETURN VALVE 3/8"			
15	SH11902990	TANK 150ltr	35	SH46902170	SCREW 3/8"			
15	SH11903000	TANK 200ltr	36	SH16901440	T-PIECE UNION			
16	SH15300320	DRAIN VALVE	37	SH17500090	WASHER			
17	SH13200060	WHEEL	39	SH35646460	AIR FILTER COMP			
18	SH13200160	WHEEL BOLT	39.8	SH30502330	GASKET			
19	SH16600350	MAINS CABLE (SO)						

NOTE: It is our policy to continually improve products and as such we reserve the right to alter data, specifications and component parts without prior notice.

IMPORTANT: No liability is accepted for incorrect use of product.

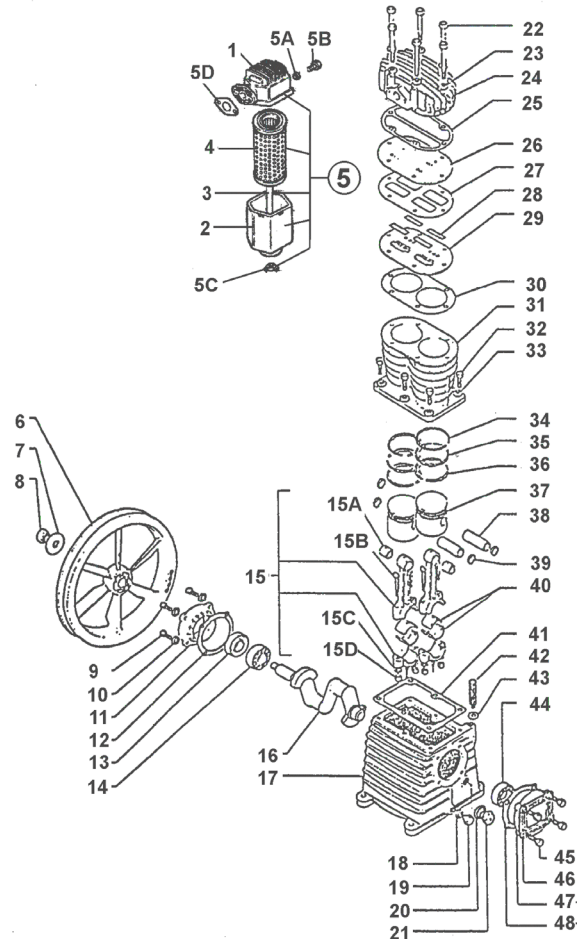
WARRANTY: Guarantee is 12 months from purchase date, proof of which will be required for any claim.

INFORMATION: For a copy of our latest catalogue and promotions call us on 01284 757525 and leave your full name and address, including postcode.



PARTS LIST FOR:
COMPRESSORS

MODELS: SA2110/3.V2, SA2115/3.V2 & SA2120/3.V2



ITEM	PART NO	DESCRIPTION	ITEM	PART NO	DESCRIPTION
1	SH35602950	FILTER COVER	31	SH31601010	CYLINDER / BARREL
2	SH35602930	FILTER CASING	32	SH37301140	BOLT - BASE FLANGE
3	SH37305190	TENSION ROD	33	SH37500670	WASHER - BASE FLANGE
4	SH35602940	FILTER CARTRIDGE	34	SH31200300	PISTON RING / TOP
5	SH35646460	COMPLETE FILTER	35	SH31200290	PISTON RING / MID
5A	SH37502320	WASHER	36	SH31200280	PISTON RING/BASE
5B	SH37302430	SCREW	37	SH31200270	PISTON
5C	SH37400450	NUT	38	SH31200260	GUDGEON PIN
5D	SH30502330	GASKET	39	SH37600230	CIRCLIP - PISTON
6	SH31004680	PULLEY	40	SH31100210	BIG END SHELL
7	SH37400720	NUT - PULLEY	41	SH30501120	BASE GASKET
8	SH37500730	WASHER PULLEY	42	SH3650020A	OIL FILLER BREATHER
9	SH37300070	BOLT	43	SH3050016A	OIL FILLER GASKET
10	SH37500330	WASHER	44	SH30300030	BEARING CRANK B/6205
11	SH30400890	CRANK SUPPORT CAP	45	SH37300070	BOLT 8 X 22
12	SH30500150	GASKET CRANK END CAP	46	SH37500330	WASHER
13	SH30300040	OIL SEAL	47	SH30400830	CRANK SUPPORT END COVER
14	SH30300030	BEARING CRANK B/6205	48	SH30500150	GASKET, CRANK SUPPORT
15	SH31100750	CON ROD COMPLETE			
15D	SH37400220	NUT - CON ROD			
15C	SH37500310	WASHER - CON ROD			
15B	SH37300250	BOLT - CON ROD			
15A	SH31100240	BUSH - LITTLE END			
16	SH30201000	CRANK SHAFT			
17	SH33101160	CRANKCASE			
18	SH30500160	GASKET - OIL DRAIN			
19	SH36500110	BOLT OIL DRAIN			
20	SH30500130	GASKET - OIL VIEW			
21	SH36500140	OIL VIEW GLASS			
22	SH37300990	HEAD BOLT M8 X 60			
23	SH37500400	HEAD WASHER			
24	SH31301170	HEAD/CYLINDER			
25	SH30501090	GASKET HEAD			
26	SH32701030	VALVE PLATE			
27	SH30501100	GASKET / VALVE			
28	SH32700350	VALVE			
29	SH32701030	VALVE PLATE			
30	SH30501110	GASKET/CYLINDER/VALVE PLATE			

PUMP COMPLETE ASSEMBLY SHK170790S

Issue: 1
Date Issued: 25/06/2009

NOTE: It is our policy to continually improve products and as such we reserve the right to alter data, specifications and component parts without prior notice.

IMPORTANT: No liability is accepted for incorrect use of product.

WARRANTY: Guarantee is 12 months from purchase date, proof of which will be required for any claim.

INFORMATION: For a copy of our latest catalogue and promotions call us on 01284 757525 and leave your full name and address, including postcode.



Sole UK Distributor
Sealey Group,
Bury St. Edmunds, Suffolk.

01284 757500

01284 703534



www.sealey.co.uk

sales@sealey.co.uk