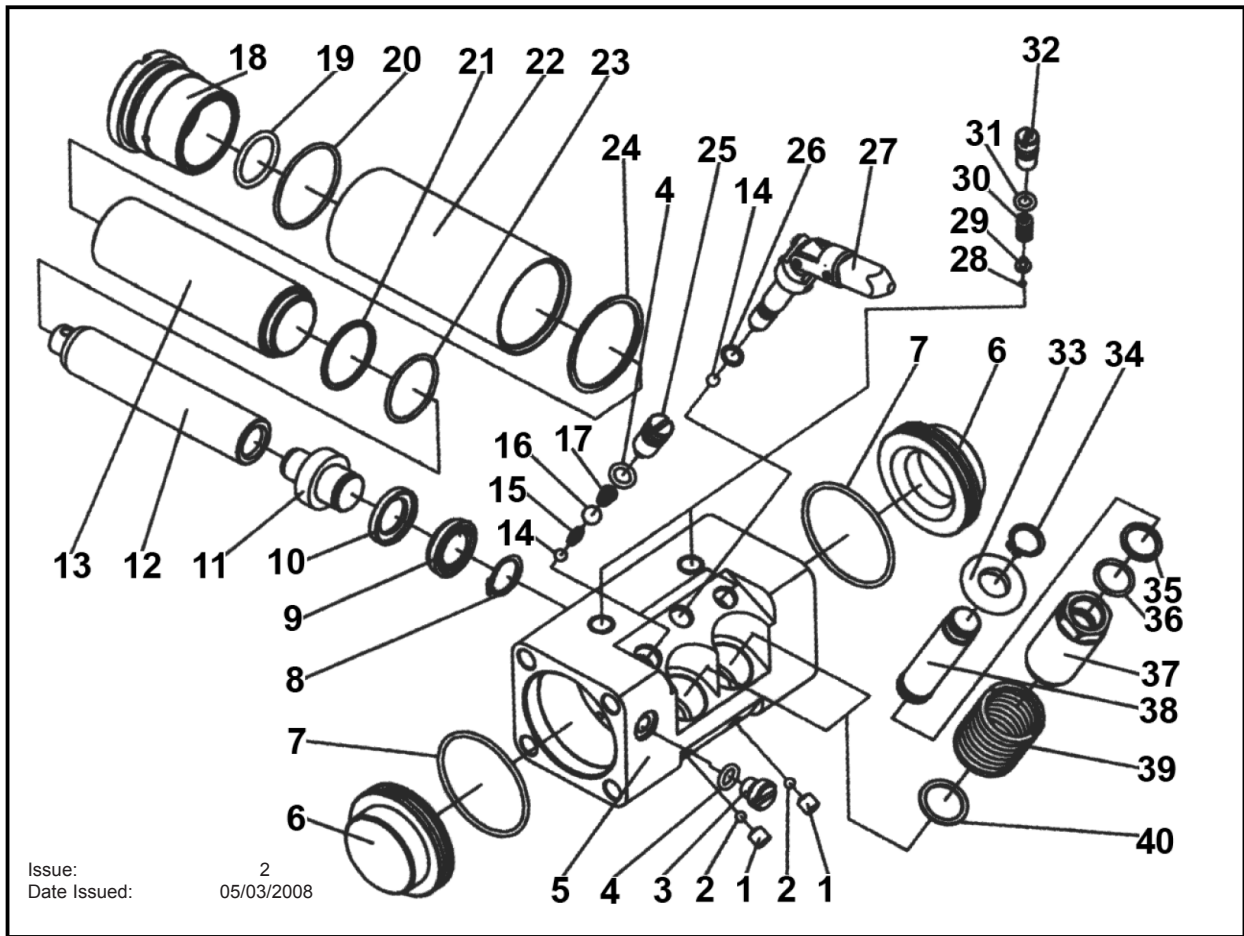


Item	Part No.	Description
1	RJA1500.01	HYDRAULIC UNIT ASS'Y
2	RJA1500.02	COUPLING CONNECTOR
3	RJA1500.03	PIN FOR RETURN ROD
4	RJA1500.04	RETURN ROD
5	RJA1500.05	SPRING WASHER
6	RJA1500.06	UPPER HANDLE
7	RJA1500.07	CONNECTOR TUBE
8	RJA1500.08	LOWER HANDLE
9	RJA1500.09	TORSION SPRING (RIGHT)
10	RJA1500.10	HANDLE SOCKET SCREW
11	RJA1500.11	WASHER
12	RJA1500.12	HANDLE SOCKET
13	RJA1500.13	WHEEL
14	RJA1500.14	WHEEL AXLE
15	RJA1500.15	SUPPORTING SHAFT
16	RJA1500.16	NUT M10x20
17	RJA1500.17	SUPPORT SHAFT BUSHING
18	RJA1500.18	WHEEL STAND
19	RJA1500.19	CONNECTING ROD
20	RJA1500.20	NUT FOR SIDE HANDLE
21	RJA1500.21	SIDE HANDLE
22	RJA1500.22	WALL PLATE ASS'Y
23	RJA1500.23	LOCKING WASHER

Item	Part No.	Description
24	RJA1500.24	PIN FOR CONNECTING ROD
25	RJA1500.25	CONNECTING ROD AXLE
26	RJA1500.26	FRONT WHEEL
27	RJA1500.27	SADDLE SHAFT
28	RJA1500.28	SADDLE
29	RJA1500.29	SADDLE BASE
30	RJA1500.30	LIFTING ARM ASS'Y
31	RJA1500.31	LIFTING ARM ASS'Y
32	RJA1500.32	SHAFT FOR SADDLE BASE
33	RJA1500.33	SHAFT FOR LIFTING ARM
34	RJA1500.34	BOLT M10x25
35	RJA1500.35	TORSION SPRING (LEFT)
36	RJA1500.36	SHAFT FOR CONNECTING ROD
37	RJA1500.37	NUT
38	RJA1500.38	NUT
39	RJA1500.39	CASTOR ASS'Y
40	RJA1500.40	WASHER
41	RJA1500.41	HEX NUT
42	RJA1500.42	HEX BOLT
43	RJA1500.43	SHAFT FOR HANDLE SOCKET
44	RJA1500.44	HEX BOLT
45	RJA1500.45	LOCATION BLOCK
46	RJA1500.46	SMALL ROLLER

Parts List for the Trolley Jack 1.5 Ton Aluminium



Item	Part No.	Description
1	RJA1500.01-01	STEEL BOLT
2	RJA1500.01-02	STEEL BALL
3	RJA1500.01-03	SEAL BOLT
4	RJA1500.01-04	O-RING
5	RJA1500.01-05	BASE
6	RJA1500.01-06	OIL COVER
7	RJA1500.01-07	O-RING
8	RJA1500.01-08	SNAP RING
9	RJA1500.01-09	Y-RING
10	RJA1500.01-10	BACK SEAL
11	RJA1500.01-11	BUSHING
12	RJA1500.01-12	RAM
13	RJA1500.01-13	HYDRAULIC CYLINDER
14	RJA1500.01-14	STEEL BALL
15	RJA1500.01-15	BUSHING
16	RJA1500.01-16	STEEL BALL
17	RJA1500.01-17	SPRING
18	RJA1500.01-18	RESERVOIR END CAP
19	RJA1500.01-19	O-RING
20	RJA1500.01-20	O-RING

Item	Part No.	Description
21	RJA1500.01-21	BACK SEAL
22	RJA1500.01-22	CYLINDER
23	RJA1500.01-23	O-RING
24	RJA1500.01-24	BACK SEAL
25	RJA1500.01-25	HIGH PRESSURE BOLT
26	RJA1500.01-26	O-RING
27	RJA1500.01-27	DISCHARGE VALVE ROD
28	RJA1500.01-28	STEEL BALL
29	RJA1500.01-29	SAFETY VALVE
30	RJA1500.01-30	SPRING
31	RJA1500.01-31	O-RING
32	RJA1500.01-32	HIGH PRESSURE BOLT
33	RJA1500.01-33	PISTON COVER
34	RJA1500.01-34	SNAP RING
35	RJA1500.01-35	BACK SEAL
36	RJA1500.01-36	O-RING
37	RJA1500.0137S	PUMP CASE (SMALL)
	RJA1500.0137L	PUMP CASE (LARGE)
38	RJA1500.0138S	PUMP CORE (SMALL)
	RJA1500.0138L	PUMP CORE (LARGE)
39	RJA1500.01-39	LARGE PRESS SPRING
40	RJA1500.01-40	WASHER