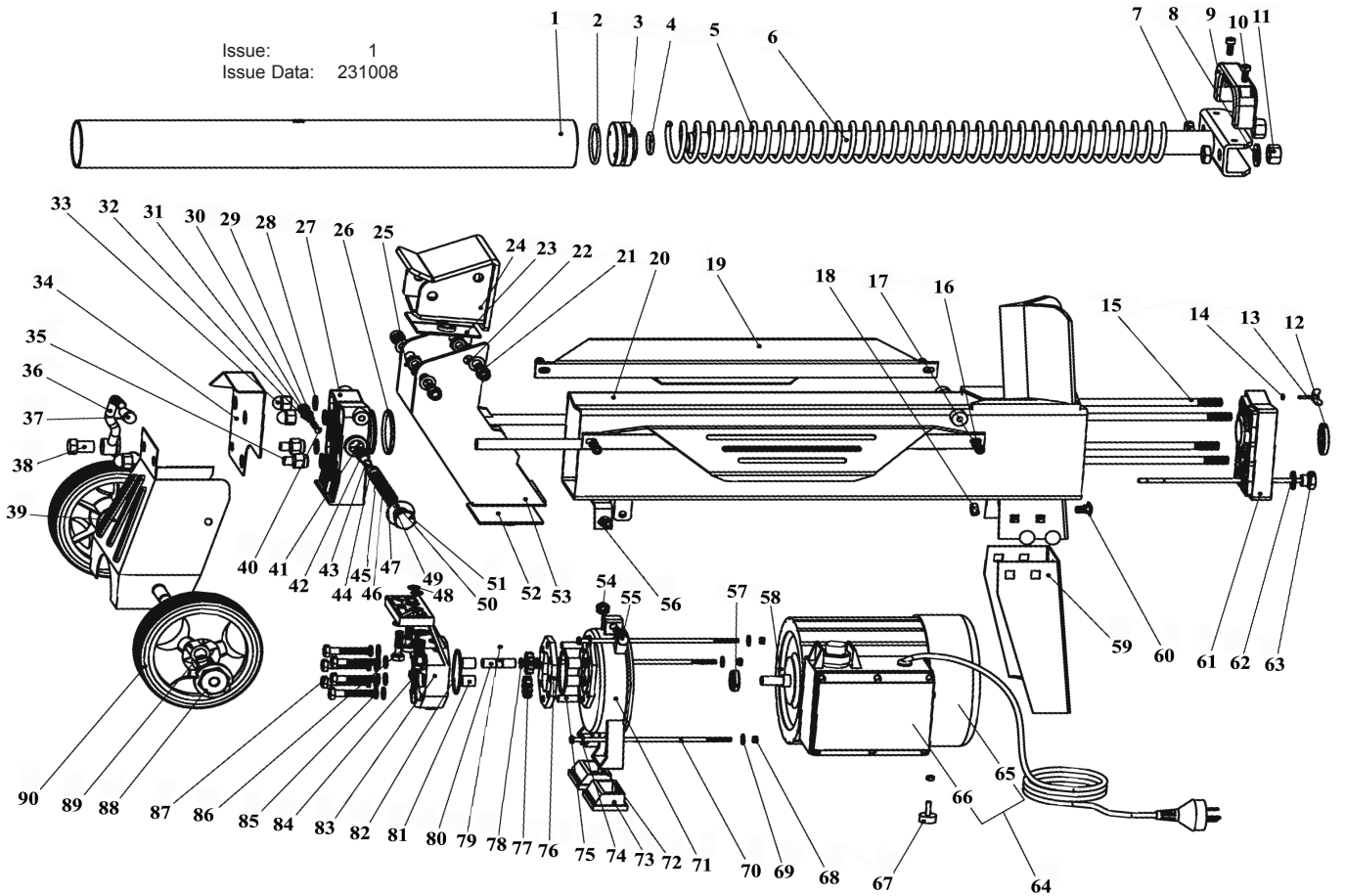


Issue: 1  
 Issue Data: 231008



ITEM	PART NO	DESCRIPTION	ITEM	PART NO	DESCRIPTION	ITEM	PART NO	DESCRIPTION
1	LS520H.01	Cylinder	31	LS520H.31	Safety Valve Bolt	61	LS520H.61	Cylinder Cover (Right)
2	LS520H.02	Piston O-Ring	32	LS520H.32	O-Ring	62	LS520H.62	Gasket
3	LS520H.03	Piston	33	LS520H.33	Nut	63	LS520H.63	Dipstick
4	LS520H.04	O-Ring	34	LS520H.34	Lever Guard	64	LS520H.64	Motor (c/w Switch)
5	LS520H.05	Spring	35	LS520H.35	Nut	65	LS520H.65	Motor
6	LS520H.06	Piston Rod	36	LS520H.36	Lever	66	LS520H.66	Switch Box
7	LS520H.07	Nut	37	LS520H.37	Lever Head	67	LS520H.67	Bolt
8	LS520H.08	Washer	38	LS520H.38	Lever Nut	68	LS520H.68	Nut
9	LS520H.09	Moving Handle	39	LS520H.39	Wheel Frame Plate	69	LS520H.69	Spring Washer
10	LS520H.10	Hex Bolt	40	LS520H.40	Steel Ball, 6mm	70	LS520H.70	Bolt
11	LS520H.11	Nut (M14)	41	LS520H.41	Circlip	71	LS520H.71	Motor Cover
12	LS520H.12	Plastic Seal	42	LS520H.42	Valve Spring	72	LS520H.72	Motor Support Shoe (Left)
13	LS520H.13	Wing Screw	43	LS520H.43	Valve Rod	73	LS520H.73	Motor Support Shoe (Right)
14	LS520H.14	O-Ring	44	LS520H.44	O-Ring	74	LS520H.74	Washer
15	LS520H.15	Long Stud	45	LS520H.45	Valve Sleeve	75	LS520H.75	Pin
16	LS520H.16	Hex Bolt	46	LS520H.46	O-Ring	76	LS520H.76	Gear Housing Plate
17	LS520H.17	Spring Washer	47	LS520H.47	Sliding Sleeve Spring	77	LS520H.77	Gear
18	LS520H.18	Nut	48	LS520H.48	O-Ring	78	LS520H.78	Washer
19	LS520H.19	Support Plate	49	LS520H.49	Sliding Sleeve	79	LS520H.79	Pin
20	LS520H.20	Frame	50	LS520H.50	Washer	80	LS520H.80	Gear Shaft
21	LS520H.21	Hex Bolt	51	LS520H.51	Valve Plug	81	LS520H.81	Sliding Bearing
22	LS520H.22	Washer	52	LS520H.52	Lower Plastic Insert	82	LS520H.82	O-Ring
23	LS520H.23	Upper Plastic Insert	53	LS520H.53	Lower Plate	83	LS520H.83	Pump Cover
24	LS520H.24	Log Pusher	54	LS520H.54	Nut	84	LS520H.84	Bolt
25	LS520H.25	Nut	55	LS520H.55	Hex Bolt	85	LS520H.85	Spring Washer
26	LS520H.26	O-Ring	56	LS520H.56	Washer	86	LS520H.86	Washer
27	LS520H.27	Cylinder Cover (Left)	57	LS520H.57	Motor Shaft Seal	87	LS520H.87	Bolt
28	LS520H.28	Copper Gasket	58	LS520H.58	Steel Ball, 2.5mm	88	LS520H.88	Wheel Cover
29	LS520H.29	Safety Valve Spring	59	LS520H.59	Carriage	89	LS520H.89	Snap Ring
30	LS520H.30	Screw	60	LS520H.60	Support Leg	90	LS520H.90	Wheel

**NOTE:** It is our policy to continually improve products and as such we reserve the right to alter data, specifications and component parts without prior notice.

**IMPORTANT:** No liability is accepted for incorrect use of product.

**WARRANTY:** Guarantee is 12 months from purchase date, proof of which will be required for any claim.

**INFORMATION:** For a copy of our latest catalogue and promotions call us on 01284 757525 and leave your full name and address, including postcode.