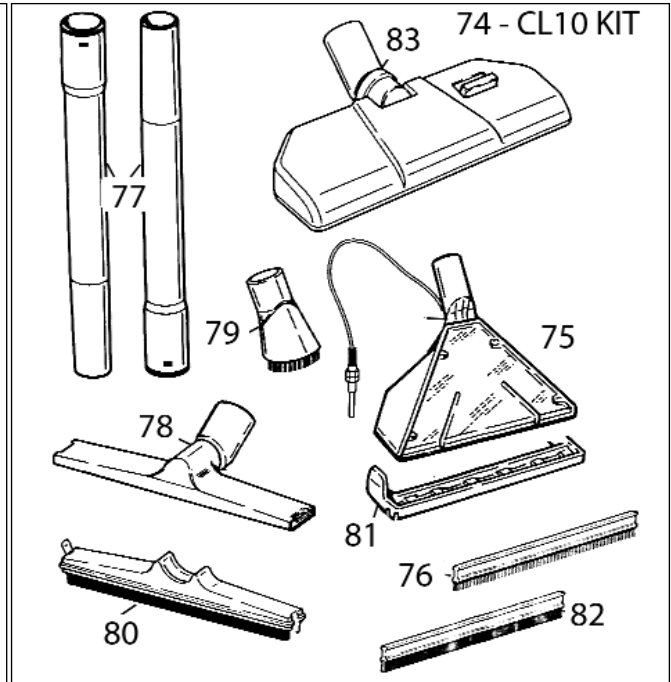
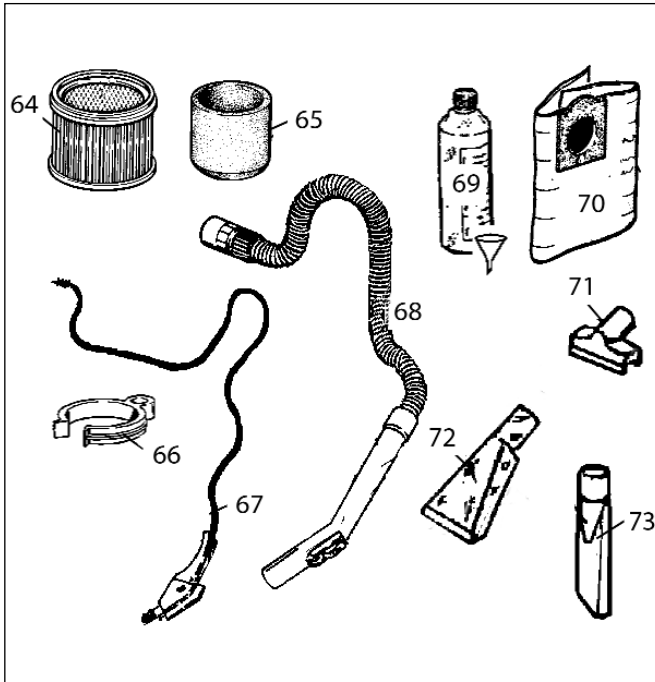


ITEM	PART NO	DESCRIPTION
1	186/50118BHN	HANDLE COVER
2	186/50073BHN	COVER
3	186/80041BDN	SWITCH, BLACK BIPOLAR
4	186/80043BOE	SWITCH, ILLUMINATED BIPOLAR
5	186/83030BHI	FILTER, PUMP PICK-UP
6	186/50036ZON	CABLE SLEEVE
7	186/50182B8N	GRIP, CABLE
8	186/60325BHN	CONNECTOR
9	186/50126BNN	COVER
11	186/50070BNN	MOTOR COVER
12	186/50170B8N	VENT, AIR
13	186/83021B8X	FILTER, AIR VENT
14	186/60234BHN	PLASTIC TUBE 220MM
15	186/60301BHN	T-PIECE MODIFICATION KIT
16	186/60227BHN	TUBE, PLASTIC 45MM
17	186/25130BHG	WASHER, RUBBER
18	186/60307BHN	QUICK CONNECTION
19	186/60300BHN	ELBOW CONNECTION, PUMP
20	186/50078ZOX	CABLE GRIP
21	186/70120BHN	SUPPORT, PUMP FRONT
22	186/80299BHU	PUMP (EP7)
23	186/70121BHN	SUPPORT, PUMP REAR
24	186/80025B8X	CONDENSER
25	186/80102BHV	CONNECTION SERIES
26	186/50104BHU	DIAPHRAGM
27	186/70056BMM	DIAPHRAGM SEAL
28	186/70060B8N	GASKET, MOTOR UPPER
29	186/20025BOX	MOTOR 1200WATT (A210)
29A	186/20036BOX	MOTOR 1000WATT (A227)
30	186/80051BOX	CARBON BRUSH (PAIR)
31	186/60235BHN	PLASTIC TUBE 110MM X 6MM DIA.
32	186/83020BHI	SILENCER, MOTOR
33	186/50183BOV	PROTECTION GRILLE
34	186/70046B5N	COVER, UPPER MOTOR
35	186/50077BOV	FLOAT
36	186/50064B8N	MOTOR SUPPORT
37	186/70016BON	LID GASKET (DIA 5MM)
38	186/70045B5N	BEARING, RUBBER
39	186/50102B5N	FLOAT CAGE
40	186/30076B5X	EARTHING STRIP
41	186/10086BMM	BIN STAINLESS STEEL
42	186/70082B5X	GASKET, SPONGE
43	186/50079BON	INLET AIR CONNECTION
44	186/50116B5N	CONTAINER HANDLE
45	186/60045BOX	FIBRE WASHER 26X6.2X1
46	186/25120DOX	STAINLESS STEEL WASHER 26X6.2X1
47	186/01016BOU	BIN CLIP
48	186/30301BOX	TROLLEY HANDLE
49	186/30067BOX	SPRING HANDLE
50	186/50117BON	CONTAINER CENTRING STOP
51	186/50115BON	HINGE
52	186/60043BON	RUBBER WASHER 16 X 3 X 1
53	186/25105ZOX	STEEL WASHER 4.3 X 16 X 1.2
54	186/30300BOX	TROLLEY
55	186/30081BOX	FRONT WHEEL
56	186/60350BON	WHEEL SPACE WASHER
57	186/60056BON	REAR WHEEL
58	186/30400BOX	CAP WASHER 15MM DIA.
59	186/60055BON	WHEEL COVER
60	186/30201BOX	BASKET
61	186/60214BMX	DETERGENT TANK
62	186/60214BMN	CAP FOR DETERGENT TANK
63	186/60236BHN	PLASTIC TUBE 500MM

THE FOLLOWING ARE NOT SHOWN

- 186/70048B5N CAP
- 186/80105BHx BLUE THERMAL CUT-OUT
- 186/60265BON FRAME FOR BRUSH
- 186/60266BON ADAPTOR FOR CARPETS
- 186/60267BON BRUSH ADAPTOR
- 186/60268BON ADAPTOR FOR LIQUIDS

ISSUE DATE: 081105  
ISSUE NO: 02



ITEM	PART NO	DESCRIPTION
64	186/83201B5G	USE VAC92/250/DL (CARTRIDGE FILTER)
65	186/83035BHB	FILTER, FOAM
66	186/50318BHN	HOSE GRIP
67	186/01333BHN	PISTOL SYSTEM
BREAKDOWN OF ITEM 67:		
--	186/60310BHN	CONNECTION, DETERGENT HOSE
--	186/60313BHN	COUPLING, QUICK
--	186/60314BHN	TRIGGER, DETERGENT SPRAY
--	186/60216BHN	TUBE, PVC (DETERGENT HOSE) 4.7
--	186/50090BHU	COVER, TRIGGER
68	186/01300BON	HOSE COMPLETE 36mm x 2m
BREAKDOWN OF ITEM 68:		
--	186/50354BHU	ELBOW TOOL COMPLETE (*)
--	186/50358BHU	CUFF, HOSE, TOOL END
--	186/50360BHU	CUFF, HOSE OUTER, BIN END
--	186/50362BHU	CUFF, HOSE INNER, BIN END
--	186/83037BHI	FELT, HOSE CUFF TOOL END
(*) BREAKDOWN OF 186/50354BHU:		
--	186/50357BHU	AIR DEFLECTOR, ELBOW TOOL
--	186/50358BHU	CUFF, HOSE, TOOL END
--	186/83037BHI	FELT, HOSE CUFF TOOL END
69	VMR921/1	CLEANING FLUID
70	186/83132BOK	DUST COLLECTION BAGS, PAPER (PK OF 5)
71	186/60252BON	PICK-UP NOZZLE (100mm)
72	186/01330BHN	UPHOLSTERY TOOL 36mm
BREAKDOWN OF ITEM 72:		
--	186/30098BHX	SPRING, CONICAL
--	186/30152BHK	NOZZLE, UPHOLSTERY SPRAY HEAD
--	186/50367BHX	BODY, UPHOLSTERY SPRAY HEAD
--	186/50370BHX	COVER, UPHOLSTERY SPRAY HEAD
--	186/60220BHU	TUBE, UPHOLSTERY SPRAY HEAD
--	186/60315BHN	QUICK CONNECTION, SPRAY HEAD
--	186/60317BHN	CONNECTION, SPRAY NOZZLE
--	186/70019BHN	RUBBER SEAL

ITEM	PART NO	DESCRIPTION
73	186/60250BON	CREVICE TOOL 36mm
74	VMA912/CL10	CARPET LANCE & ACCESSORY KIT
BREAKDOWN OF ITEM 74:		
75	186/01331BHN	CARPET TOOL ASSEMBLY 36mm (*)
76	186/30094BSX	STRIP, BRISTLE
77	186/40035BHM	EXTENSION TUBE, S/S 36mm dia
78	186/50372BHN	ADAPTOR, LARGE NOZZLE 36mm
79	186/60255BON	BRUSH, ROUND
80	186/60278BON	ADAPTOR, LIQUIDS
81	186/60281BON	FRAME, MULTI-PURPOSE 36mm
82	186/70071BHN	RUBBER, CARPET TOOL (PAIR)
83	186/95001FON	NOZZLE, LARGE VACUUM 36mm
(*) BREAKDOWN OF ITEM 75:		
--	186/30098BHX	SPRING, CONICAL
--	186/30150BHR	NOZZLE, CARPET SPRAY HEAD
--	186/50350BHU	BODY, CARPET SPRAY HEAD
--	186/50351BHX	COVER, CARPET SPRAY HEAD
--	186/50372BHU	BRUSH HOLDER, CARPET SPRAY HEAD
--	186/60218BHU	TUBE, DETERGENT, SPRAY HEAD 1m
--	186/60315BHN	QUICK CONNECTION, SPRAY HEAD
--	186/60317BHN	CONNECTION, SPRAY NOZZLE
--	186/70019BHN	RUBBER SEAL
--	186/70071BHN	RUBBER, CARPET TOOL (PAIR)

ISSUE DATE: 081105  
ISSUE NO: 02