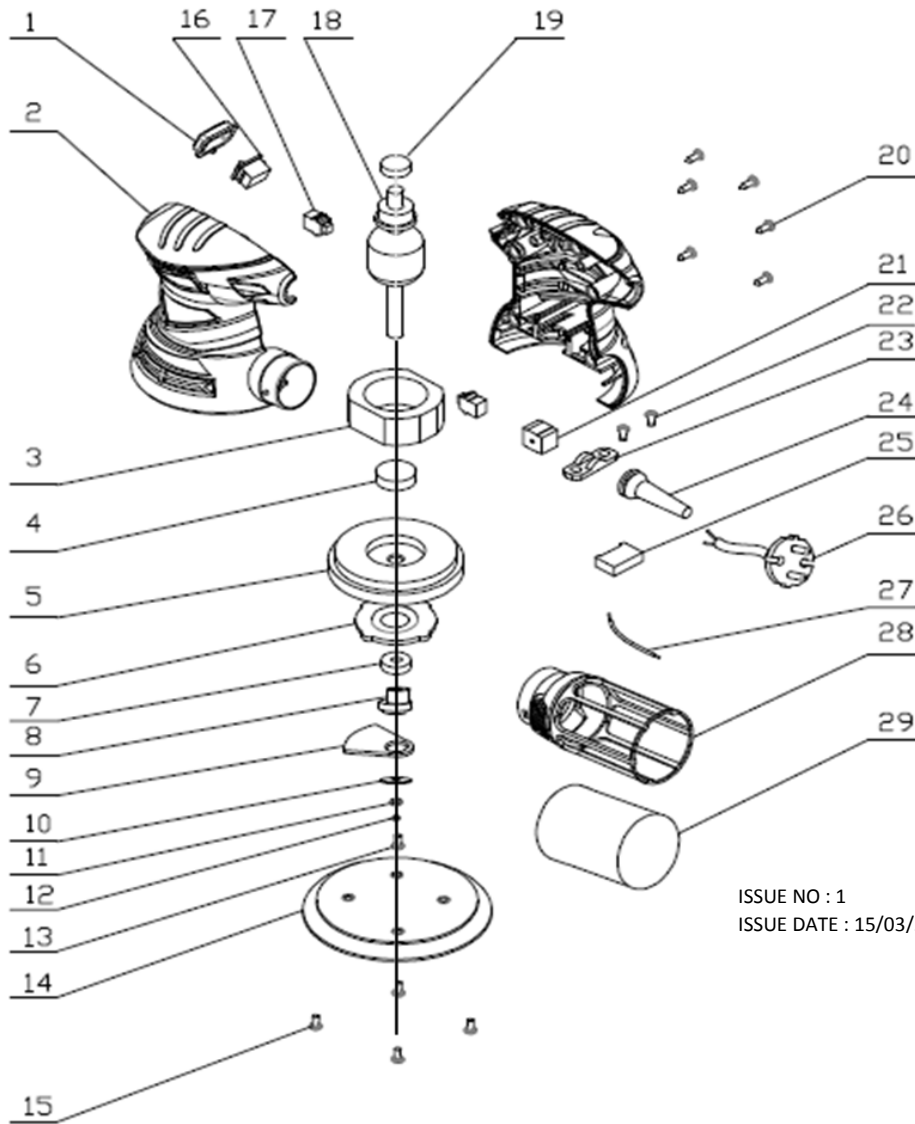




PARTS FOR :
DUAL ACTION PALM SANDER Ø125mm 240/230V
MODELS: S0125



ISSUE NO : 1
 ISSUE DATE : 15/03/2016

ITEM	PART NO	DESCRIPTION	ITEM	PART NO	DESCRIPTION
1	S0125.01	SWITCH COVER	16	S0125.16	SWITCH
2	S0125.02	HOUSING COMPLETE	17	S0125.17	CARBON BRUSH
3	S0125.03	STATOR	18	S0125.18	ROTOR
4	S0125.04	BEARING	19	S0125.19	BEARING
5	S0125.05	PLASTIC FAN	20	S0125.20	HOUSING SCREW
6	S0125.06	BEARING BLOCK	21	S0125.21	TERMINAL
7	S0125.07	BEARING	22	S0125.22	SCREW
8	S0125.08	SHAFT	23	S0125.23	CORD GRIP
9	S0125.09	BALANCE BLOCK	24	S0125.24	CORD SLEEVE
10	S0125.10	WASHER	25	S0125.25	CAPACITOR
11	S0125.11	WASHER	26	S0125.26	POWER CORD & PLUG
12	S0125.12	SPRING	27	S0125.27	WIRE
13	S0125.13	SCREW	28	S0125.28	DUST BAG SUPPORT
14	S0125.14	PAD	29	S0125.29	DUST BAG
15	S0125.15	SCREW			



Sole UK Distributor,
 Sealey Group, Kempson Way,
 Suffolk Business Park,
 Bury St Edmunds, Suffolk, IP32 7AR

01284 757500
 01284 703534

www.sealey.co.uk
sales@sealey.co.uk