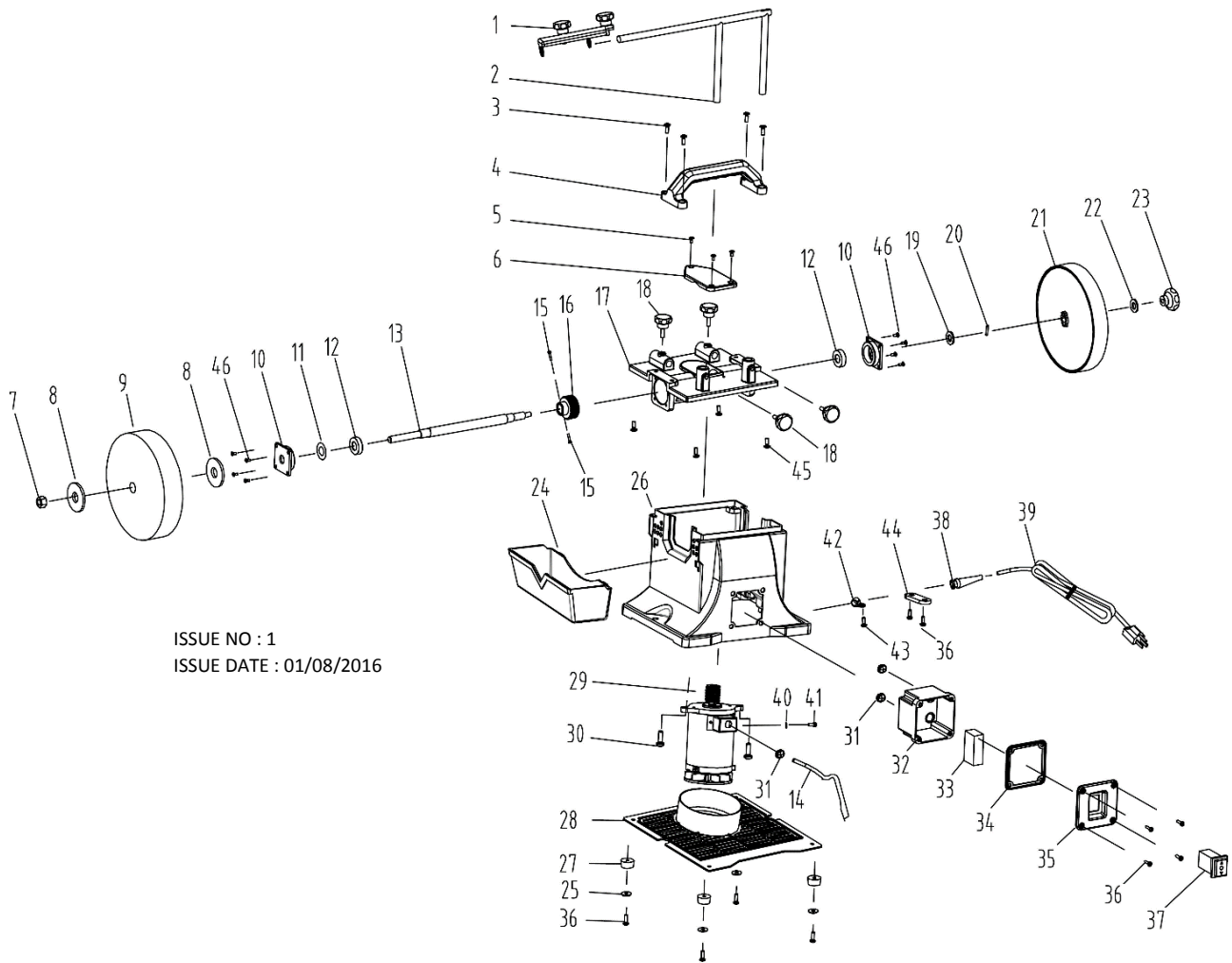




**PARTS FOR :**  
**SHARPENER Ø200mm WITH HONING WHEEL**  
**MODELS: SMS2101**



ISSUE NO : 1  
 ISSUE DATE : 01/08/2016

ITEM	PART NO	DESCRIPTION	ITEM	PART NO	DESCRIPTION
1	SMS2101.01	BLADE HOLDER ASSY	24	SMS2101.24	WATER TANK
2	SMS2101.02	SUPPORT	25	SMS2101.25	FLAT WASHER 4mm
3	SMS2101.03	PHILLIPS SCREW M6x16 (c/w FLAT & SPRING WASHER)	26	SMS2101.26	BASE
4	SMS2101.04	HANDLE	27	SMS2101.27	RUBBER FOOT
5	SMS2101.05	PHILLIPS SCREW (M4x8)	28	SMS2101.28	BASE PLATE
6	SMS2101.06	WORM GEAR CASE COVER	29	SMS2101.29	MOTOR ASSY
7	SMS2101.07	NUT (M12)	30	SMS2101.30	PHILLIPS SCREW M8x35 (c/w FLAT & SPRING WASHER)
8	SMS2101.08	FLANGE	31	SMS2101.31	STRAIN RELIEF
9	SMS2101.SW	SHARPENING STONE 200x40x12mm	32	SMS2101.32	WIRE CONNECTION BOX
10	SMS2101.10	BEARING BLOCK	33	SMS2101.33	CAPACITOR
11	SMS2101.11	WAVE WASHER	34	SMS2101.34	RUBBER SEAL
12	SMS2101.12	BEARING (6002RZ)	35	SMS2101.35	SWITCH PLATE
13	SMS2101.13	MAIN SHAFT	36	SMS2101.36	TAPPING SCREW (ST4.2x16)
14	SMS2101.14	CABLE	37	SMS2101.37	SWITCH
15	SMS2101.15	PHILLIPS SCREW (M5x14)	38	SMS2101.38	CORD SLEEVE
16	SMS2101.16	WORM GEAR	39	SMS2101.39	CORD & PLUG
17	SMS2101.17	WORM GEAR CASE	40	SMS2101.40	TOOTH LOCK WASHER 4mm
18	SMS2101.18	KNOB (M6x10)	41	SMS2101.41	PHILLIPS SCREW M4x8 (c/w FLAT & SPRING WASHER)
19	SMS2101.19	WASHER 12mm	42	SMS2101.42	CORD CLIP
20	SMS2101.20	ROUND PIN (5x22)	43	SMS2101.43	TAPPING SCREW ST4.2x8
21	SMS2101.HW	HONING WHEEL 200x30x12mm	44	SMS2101.44	CORD PLATE
22	SMS2101.22	FLAT WASHER 8mm	45	SMS2101.45	PHILLIPS SCREW M6x20 (c/w FLAT & SPRING WASHER)
23	SMS2101.23	LOCK KNOB (M8)	46	SMS2101.46	PHILLIPS SCREW M4x10



Sole UK Distributor,  
 Sealey Group, Kempson Way,  
 Suffolk Business Park,  
 Bury St Edmunds, Suffolk, IP32 7AR



01284 757500  
 01284 703534



www.sealey.co.uk  
 sales@sealey.co.uk