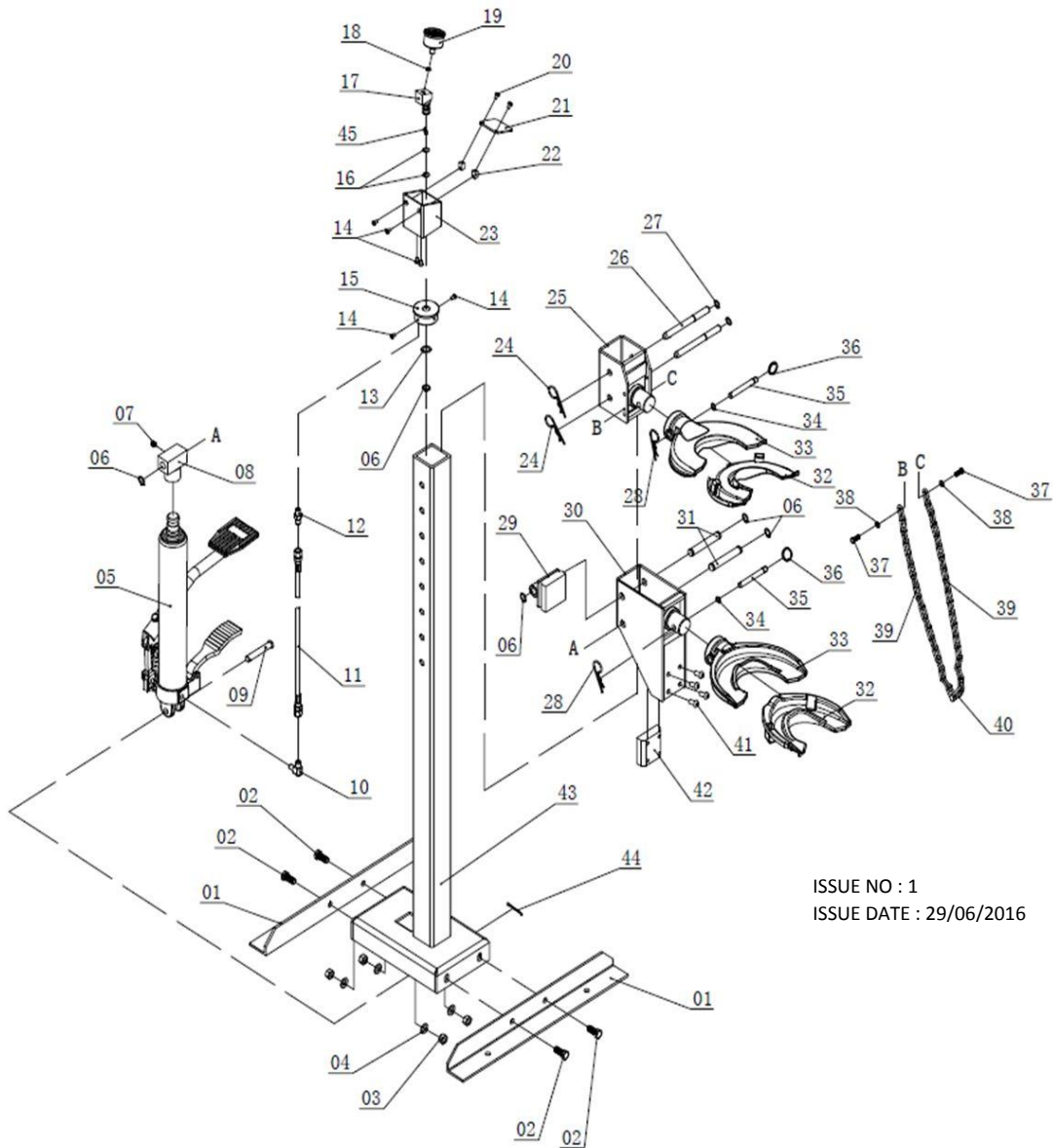




PARTS FOR :
COIL SPRING COMPRESSING STATION
HYDRAULIC 2000kg CAPACITY – WITH GAUGE
MODELS: RE2311



ISSUE NO : 1
 ISSUE DATE : 29/06/2016

ITEM	PART NO	DESCRIPTION	ITEM	PART NO	DESCRIPTION	ITEM	PART NO	DESCRIPTION
1	RE231.V3-21	BRACKET	16	RE2311.16	O-RING (10.5x2mm)	31	RE231.V3-16	PIN
2	RE231.V3-20	BOLT	17	RE2311.17	ROTATABLE CONNECTOR	32	RE2311.32	CURVED COIL BRACKET SLEEVE (SMALL)
3	RE231.V3-23	NUT M10	18	RE2311.18	NYLON WASHER (8.7x4x3.8mm)	33	RE2311.33	CURVED COIL BRACKET (SMALL)
4	RE231.V3-22	WASHER	19	RE2311.19	PRESSURE GAUGE	34	RE231.V3-04	RETAINING RING
5	RE2311.05	RAM ASS'Y	20	RE2311.20	SCREW (M5x8)	35	RE231.V3-02	PIN
6	RE231.V3-15	RETAINING RING	21	RE2311.21	COVER PLATE	36	RE231.V3-03	STEEL RING
7	RE231.V3-26	BOLT	22	RE2311.22	MOUNTING BASE	37	RE231.V3-11	BOLT
8	RE231.V3-27	SADDLE	23	RE2311.23	PROTECTIVE SLEEVE ASS'Y	38	RE231.V3-10	WASHER
9	RE231.V3-19	PIN	24	RE231.V3-12	R-PIN	39	RE231.V3-09	CHAIN
10	RE2311.10	ELBOW	25	RE2311.25	UPPER STRUT SUPPORT	40	RE231.V3-13	SHACKLE
11	RE2311.11	OIL HOSE	26	RE231.V3-07	PIN	41	RE2311.41	SCREW (M8x16)
12	RE2311.12	CONNECTOR	27	RE231.V3-06	RETAINING RING	42	RE2311.42	FILLER BLOCK
13	RE2311.13	WASHER (20x14.2x2mm)	28	RE231.V3-05	R-PIN	43	RE2311.43	UPRIGHT
14	RE2311.14	SCREW (M5x10)	29	RE2311.29	FILLER BLOCK	44	RE231.V3-24	COTTER PIN
15	RE2311.15	CONNECTOR BASE	30	RE2311.30	LIFTING PLATE ASS'Y	45	RE2311.45	SCREW (M6x8)



Sole UK Distributor,
 Sealey Group, Kempson Way,
 Suffolk Business Park,
 Bury St Edmunds, Suffolk, IP32 7AR

01284 757500
 01284 703534

www.sealey.co.uk
sales@sealey.co.uk