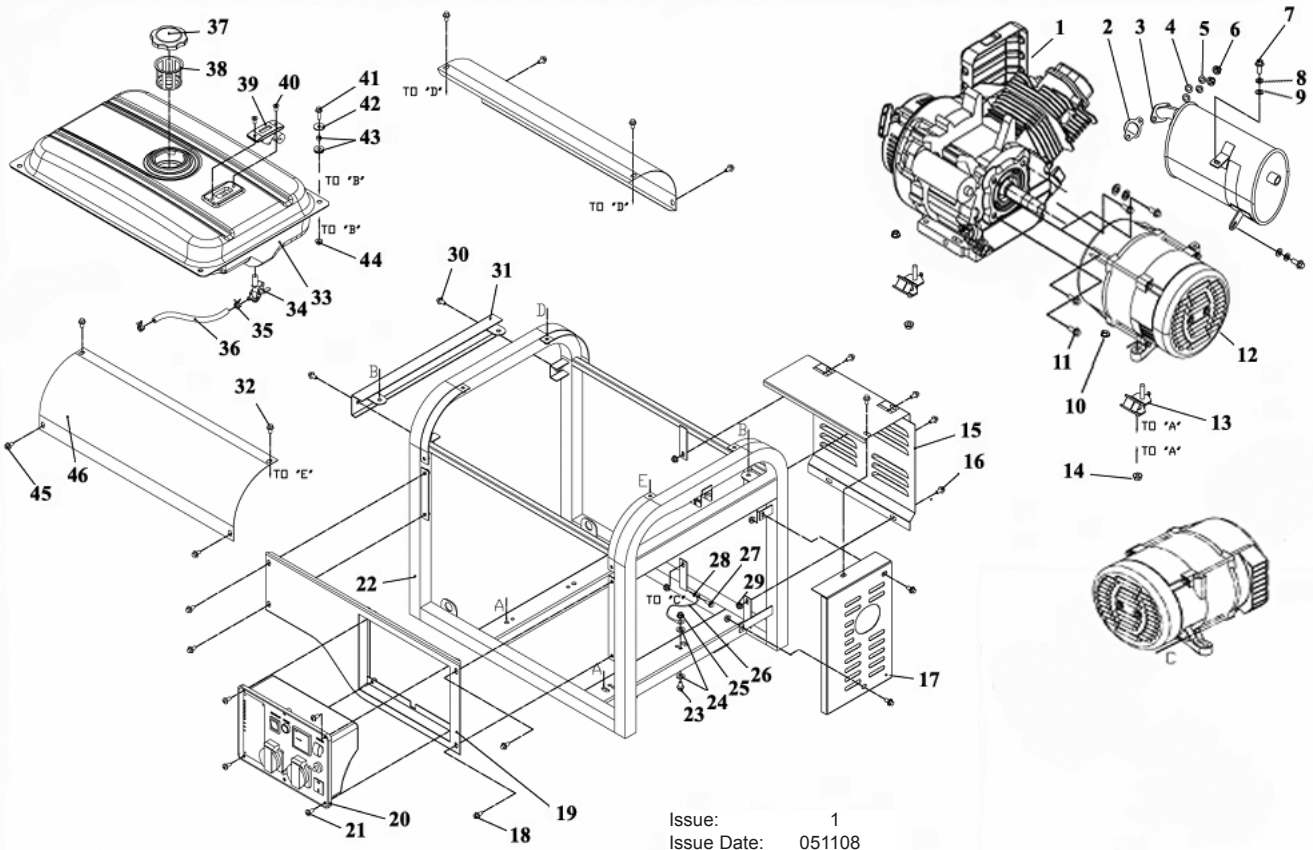


MAIN ASSEMBLY



Issue: 1
 Issue Date: 051108

ITEM	PART NO	DESCRIPTION	ITEM	PART NO	DESCRIPTION
1	GG2800.01	ENGINE	24	GG2800.24	GASKET
2	GG2800.02	MUFFLER WASHER	25	GG2800.25	NUT M6
3	GG2800.03	MUFFLER	26	GG2800.26	WIRE
4	GG2800.04	WASHER M8	27	GG2800.27	FLANGE BOLT (M8*12)
5	GG2800.05	SPRING WASHER	28	GG2800.28	GASKET
6	GG2800.06	NUT M8	29	GG2800.29	M6 FLANGE NUT
7	GG2800.07	FLANGE BOLT (M8*20)	30	GG2800.30	FLANGE BOLT (M6*12)
8	GG2800.08	SPRING WASHER M8	31	GG2800.31	UPPER SIDE BAR
9	GG2800.09	M8 WASHER	32	GG2800.32	M6x12mm FLANGE BOLT
10	GG2800.10	NUT M8	33	GG2800.33	15L FUEL TANK
11	GG2800.11	M8x25mm BOLT	34	GG2800.34	FUEL SWITCH
12	GG2800.12	ALTERNATOR A'SSY	35	GG2800.35	CLAMP
13	GG2800.13	SHOCK ABSORBER	36	GG2800.36	8x20mm FUEL PIPE
14	GG2800.14	M8 NUT	37	GG2800.37	FUEL TANK CAP ASS'Y
15	GG2800.15	MUFFLER COVER	38	GG2800.38	FILTER CUP
16	GG2800.16	M6x12mm BOLT	39	GG2800.39	CONTROL PANEL
17	GG2800.17	MUFFLER COVER (SIDE)	40	GG2800.40	M5x12mm SCREW
18	GG2800.18	M6x12mm BOLT	41	GG2800.41	M6x25mm FLANGE BOLT
19	GG2800.19	PANEL FOR CONTROL BOARD	42	GG2800.42	M6x18mm PLAIN WASHER
20	GG2800.20	CONTROL PANEL ASS'Y	43	GG2800.43	SHOCK ABSORBER
21	GG2800.21	M6x12mm SCREW	44	GG2800.44	FLANGE NUT M6
22	GG2800.22	FRAME	45	GG2800.45	FLANGE BOLT (M6*12)
23	GG2800.23	M6x12mm FLANGE BOLT	46	GG2800.46	UPPER PANEL

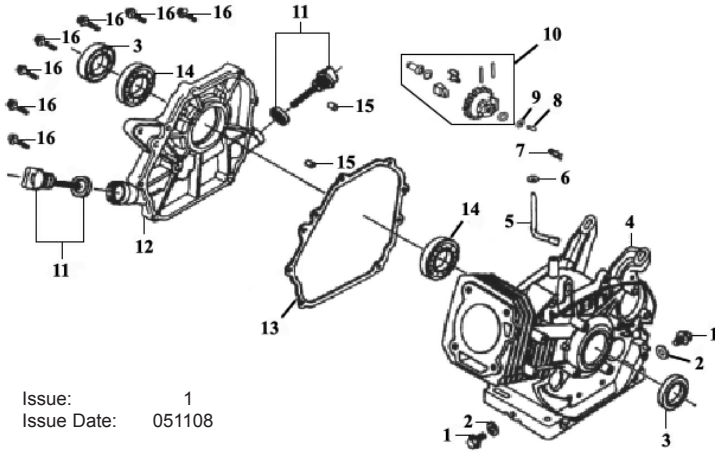
NOTE: It is our policy to continually improve products and as such we reserve the right to alter data, specifications and component parts without prior notice.

IMPORTANT: No liability is accepted for incorrect use of product.

WARRANTY: Guarantee is 12 months from purchase date, proof of which will be required for any claim.

INFORMATION: For a copy of our latest catalogue and promotions call us on 01284 757525 and leave your full name and address, including postcode.

CRANKCASE PARTS

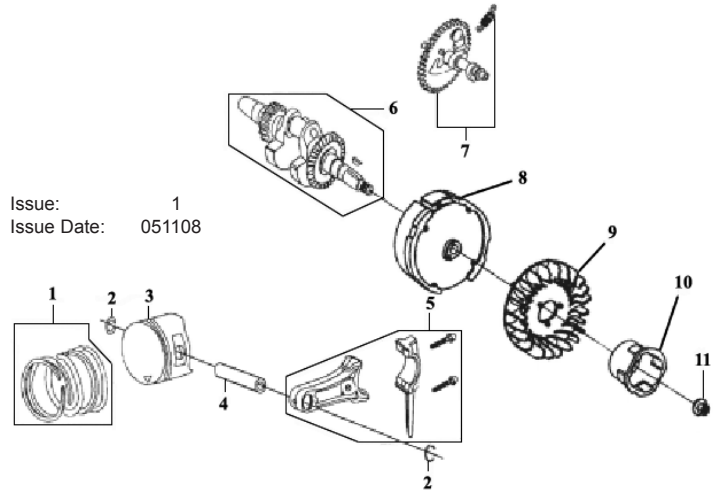


ITEM	PART NO	DESCRIPTION
1	GG2800.CC1	DRAIN PLUG
2	GG2800.CC2	WASHER, DRAIN PLUG
3	GG2800.CC3	OIL SEAL, CRANKSHAFT
4	GG2800.CC4	CRANKCASE
5	GG2800.CC5	REGULATING BAR
6	GG2800.CC6	WASHER
7	GG2800.CC7	SPLIT PIN
8	GG2800.CC8	REGULATING SHAFT
9	GG2800.CC9	SNAP RING
10	GG2800.CC10	DRIVEN GEAR ASS'Y
11	GG2800.CC11	DIPSTICK WITH SEAL
12	GG2800.CC12	CRANKCASE COVER
13	GG2800.CC13	CRANKCASE GASKET
14	GG2800.CC14	BEARING 6205
15	GG2800.CC15	SET PIN 8x14
16	GG2800.CC16	BOLT (M8*33.5)

Issue: 1
 Issue Date: 051108

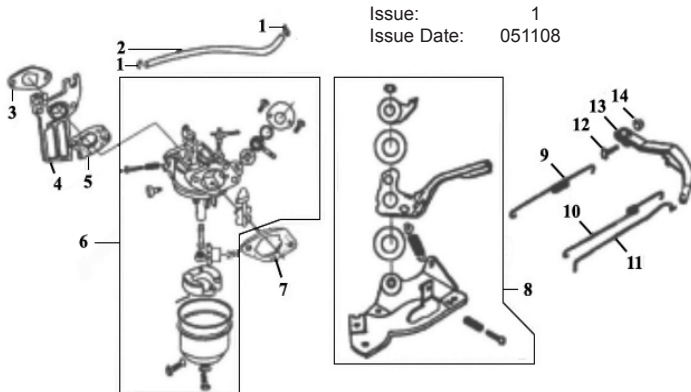
CRANKSHAFT / PISTON / CAMSHAFT / FLYWHEEL ASS'Y PARTS

ITEM	PART NO	DESCRIPTION
1	GG2800.CS1	PISTON RING SET
2	GG2800.CS2	PISTON PIN CIRCLIP
3	GG2800.CS3	PISTON
4	GG2800.CS4	PISTON PIN
5	GG2800.CS5	CONNECT ROD ASS'Y
6	GG2800.CS6	CRANKSHAFT ASS'Y
7	GG2800.CS7	CAMSHAFT ASS'Y
8	GG2800.CS8	FLYWHEEL
9	GG2800.CS9	FLYWHEEL FAN
10	GG2800.CS10	STARTING FLANGE
11	GG2800.CS11	NUT M14x1.5



Issue: 1
 Issue Date: 051108

FUEL SUPPLY PARTS



Issue: 1
 Issue Date: 051108

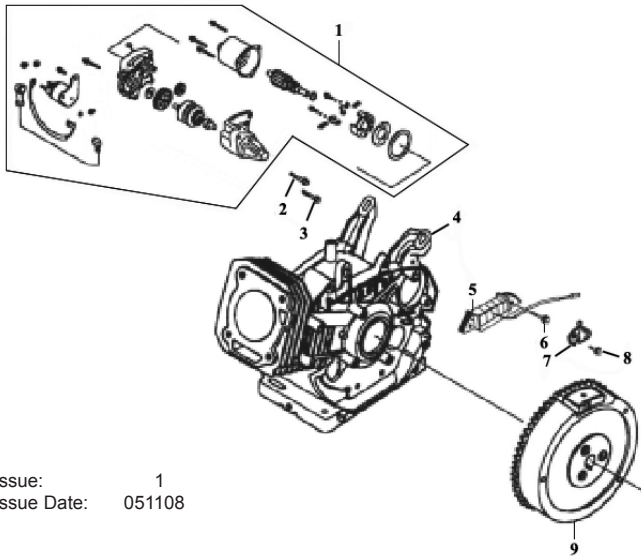
ITEM	PART NO	DESCRIPTION
1	GG2800.FS1	PIPE CLAMP
2	GG2800.FS2	FUEL PIPE
3	GG2800.FS3	INLET GASKET
4	GG2800.FS4	CONNECTING BLOCK
5	GG2800.FS5	CARBURETTOR GASKET
6	GG2800.FS6	CARBURETTOR ASS'Y
7	GG2800.FS7	GASKET, AIR CLEANER
8	GG2800.FS8	REGULATING CONTROL A'SSY
9	GG2800.FS9	BACK SPRING
10	GG2800.FS10	REGULATING SPRING
11	GG2800.FS11	PULLING ROD
12	GG2800.FS12	LOCK BOLT
13	GG2800.FS13	REGULATING ARM
14	GG2800.FS14	NUT M6

NOTE: It is our policy to continually improve products and as such we reserve the right to alter data, specifications and component parts without prior notice.

IMPORTANT: No liability is accepted for incorrect use of product.

WARRANTY: Guarantee is 12 months from purchase date, proof of which will be required for any claim.

INFORMATION: For a copy of our latest catalogue and promotions call us on 01284 757525 and leave your full name and address, including postcode.



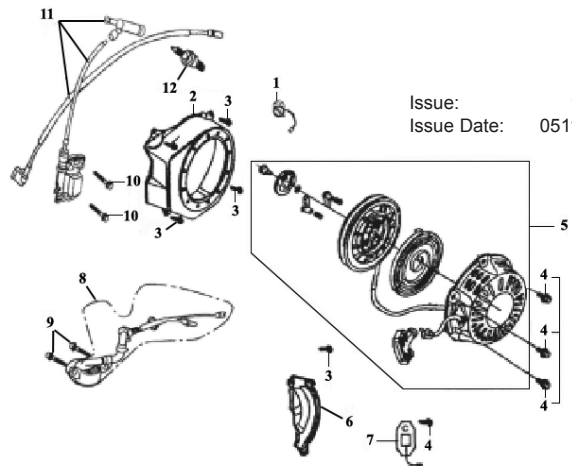
Issue: 1
 Issue Date: 051108

ELECTRIC STARTER PARTS

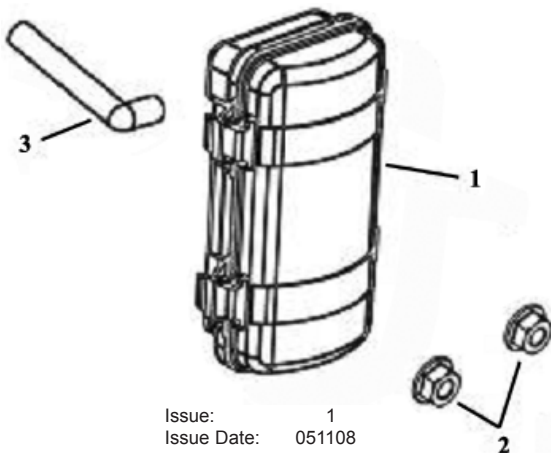
ITEM	PART NO	DESCRIPTION
1	GG2800.ES1	STARTING MOTOR ASS'Y
2	GG2800.ES2	BOLT (M6*28)
3	GG2800.ES3	BOLT M6x32
4	GG2800.ES4	CRANKCASE
5	GG2800.ES5	RELAY
6	GG2800.ES6	BOLT M6x35
7	GG2800.ES7	CORD CLAMP
8	GG2800.ES8	BOLT M6x12
9	GG2800.ES9	FLYWHEEL

RECOIL STARTER & IGNITION COIL ASS'Y PARTS

ITEM	PART NO	DESCRIPTION
1	GG2800.RS1	ENGINE SWITCH
2	GG2800.RS2	FAN COVER ASS'Y
3	GG2800.RS3	BOLT (M6*12)
4	GG2800.RS4	BOLT (M6*8)
5	GG2800.RS5	RECOIL STARTER ASS'Y
6	GG2800.RS6	SHROAD SHROUD
7	GG2800.RS7	DIODE
8	GG2800.RS8	OIL SENSOR
9	GG2800.RS9	BOLT (M6*14)
10	GG2800.RS10	BOLT M6x22
11	GG2800.RS11	IGNITION COIL ASS'Y
12	GG2800.RS12	SPARK PLUG



Issue: 1
 Issue Date: 051108



Issue: 1
 Issue Date: 051108

AIR CLEANER PARTS

ITEM	PART NO	DESCRIPTION
1	GG2800.AC1	AIR CLEANER ASS'Y
2	GG2800.AC2	NUT M6
3	GG2800.AC3	AIR PIPE

NOTE: It is our policy to continually improve products and as such we reserve the right to alter data, specifications and component parts without prior notice.

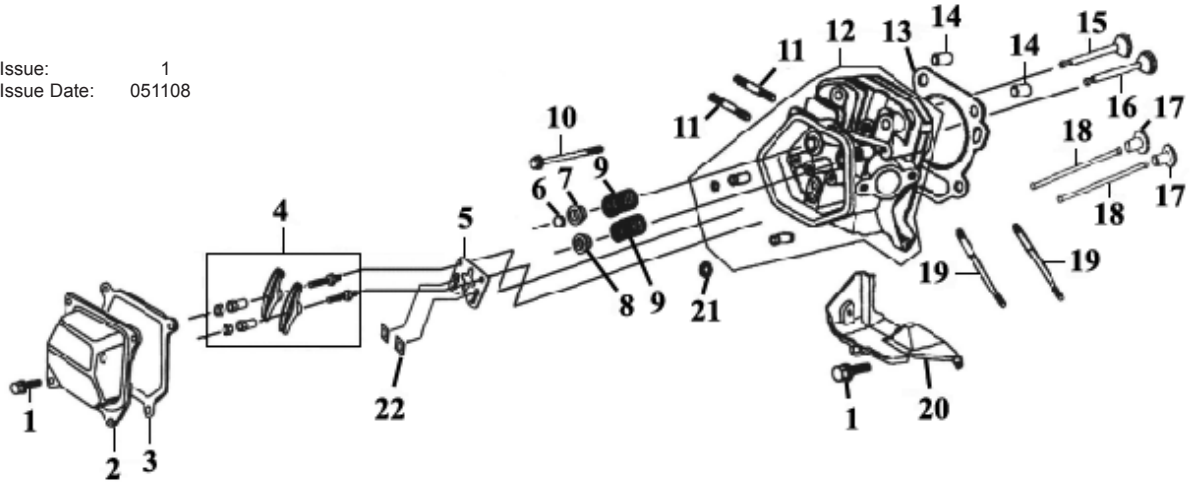
IMPORTANT: No liability is accepted for incorrect use of product.

WARRANTY: Guarantee is 12 months from purchase date, proof of which will be required for any claim.

INFORMATION: For a copy of our latest catalogue and promotions call us on 01284 757525 and leave your full name and address, including postcode.

CYLINDER HEAD PARTS

Issue: 1
 Issue Date: 051108



ITEM	PART NO	DESCRIPTION	ITEM	PART NO	DESCRIPTION
1	GG2800.CH1	BOLT M6x12	12	GG2800.CH12	CYLINDER HEAD ASS'Y
2	GG2800.CH2	CYLINDER HEAD COVER	13	GG2800.CH13	CYLINDER HEAD GASKET
3	GG2800.CH3	GASKET, CYLINDER HEAD COVER	14	GG2800.CH14	SET PIN
4	GG2800.CH4	VALVE ROCKER ASS'Y	15	GG2800.CH15	EXHAUST VALVE
5	GG2800.CH5	PUSH GUIDE	16	GG2800.CH16	INTAKE VALVE
6	GG2800.CH6	CAP	17	GG2800.CH17	TAPPET
7	GG2800.CH7	EXHAUST SPRING SEAT	18	GG2800.CH18	PUSHER
8	GG2800.CH8	INTAKE SPRING SEAT	19	GG2800.CH19	STUD AM6x105
9	GG2800.CH9	VALVE SPRING	20	GG2800.CH20	COVER
10	GG2800.CH10	BOLT M8x60	21	GG2800.CH21	OIL SEAL, PIPE
11	GG2800.CH11	STUD AM8x34	22	GG2800.CH22	NYLON, LINING

NOTE: It is our policy to continually improve products and as such we reserve the right to alter data, specifications and component parts without prior notice.

IMPORTANT: No liability is accepted for incorrect use of product.

WARRANTY: Guarantee is 12 months from purchase date, proof of which will be required for any claim.

INFORMATION: For a copy of our latest catalogue and promotions call us on 01284 757525 and leave your full name and address, including postcode.