



INSTRUCTIONS FOR
HEAVY-DUTY LEVER PUMP HIGH FLOW
MODEL NO: **TP6801.V2**

Thank you for purchasing a Sealey product. Manufactured to a high standard, this product will, if used according to these instructions, and properly maintained, give you years of trouble free performance.

IMPORTANT: PLEASE READ THESE INSTRUCTIONS CAREFULLY. NOTE THE SAFE OPERATIONAL REQUIREMENTS, WARNINGS & CAUTIONS. USE THE PRODUCT CORRECTLY AND WITH CARE FOR THE PURPOSE FOR WHICH IT IS INTENDED. FAILURE TO DO SO MAY CAUSE DAMAGE AND/OR PERSONAL INJURY AND WILL INVALIDATE THE WARRANTY. KEEP THESE INSTRUCTIONS SAFE FOR FUTURE USE.



Refer to instructions



Wear eye protection



Wear protective gloves



Wear safety footwear



Wear protective clothing

1. SAFETY

- ❑ **WARNING!** Ensure health & safety, local authority, and general workshop practice regulations are strictly adhered to when using this equipment.
- ✓ Familiarise yourself with product application and limitations, as well as the specific potential hazards peculiar to this product.
- ✓ Maintain the pump in good condition (use an authorised service agent).
- ✓ Replace or repair damaged parts. Use genuine parts only. Non authorised parts will invalidate the warranty.
- ✓ Use only to pump NON-Corrosive fluids such as oil, anti-freeze, degreasants, solvents, agricultural and industrial chemicals.
- ✓ Ensure safety eye protection and protective clothing are worn when using this product.
- ✓ Keep the work area clean, uncluttered and ensure there is adequate lighting.
- ✓ Maintain correct balance and footing. Ensure the floor is not slippery and wear non slip shoes.
- ✓ Keep children and unauthorised persons away from the working area.
- ✓ Dispose of waste liquids in accordance with local authority regulations.
- ✗ **DO NOT** use to extract corrosive fluids.
- ✗ **DO NOT** dismantle, tamper with or adapt the pump for any purpose other than for which it is designed.
- ✗ **DO NOT** use the unit if it has been dropped or mishandled, check the unit to ensure there is no damage.
- ✗ **DO NOT** use the pump as a handle to move the fluid drum.
- ✓ Keep the pump clean and store in a safe dry, childproof location.
- ✗ **WARNING! DO NOT** allow uncontrolled discharge of fluids thus polluting the environment.

2. INTRODUCTION

Steel barrelled, self priming, lever pump. Supplied with 2" BSP adaptor and dip-tube suitable for 50 to 205ltr drums. Suitable for oils, antifreeze, degreasants and other non-corrosive fluids. High flow unit delivers approximately 500ml per stroke. Supplied with two delivery nozzles, one standard swan neck and one acute angle with filter for removing impurities from fluids.

3. OPERATION

- 3.1. Attach the the required discharge spout (fig.1, fig.2) to the pump ensuring that seal between spout and pump body is correctly fitted.
- 3.2. Screw the suction tube into the underside of the pump, attach extension tube with seals as required.
- 3.3. Insert the pump into the 2" BSP drum opening and hand tighten.
- 3.4. Pump handle up and down to dispence liquid.



fig.1

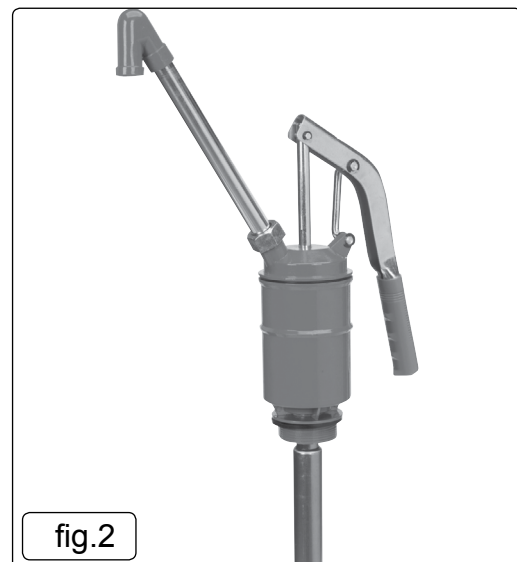


fig.2

4. MAINTENANCE

- 4.1. Ensure all liquid is removed from pump before storage.
- 4.2. Clean out pump before using on other liquids.
- 4.3. Store in a safe dry, childproof location.

Parts support is available for this product. To obtain a parts listing and/or diagram, please log on to www.sealey.co.uk, email sales@sealey.co.uk or telephone 01284 757500.



Environmental Protection

Recycle unwanted materials instead of disposing of them as waste. All tools, accessories and packaging should be sorted, taken to a recycling centre and disposed of in a manner which is compatible with the environment. When the product becomes completely unserviceable and requires disposal, drain off any fluids (if applicable) into approved containers and dispose of the product and the fluids according to local regulations.

NOTE: It is our policy to continually improve products and as such we reserve the right to alter data, specifications and component parts without prior notice.

IMPORTANT: No liability is accepted for incorrect use of this product.

WARRANTY: Guarantee is 12 months from purchase date, proof of which will be required for any claim.



Sole UK Distributor, Sealey Group.
Kempson Way, Suffolk Business Park,
Bury St. Edmunds, Suffolk.
IP32 7AR



01284 757500



01284 703534



www.sealey.co.uk



sales@sealey.co.uk