

Issue: 1  
 Issue Date: 180711

ITEM	PART NO	DESCRIPTION	ITEM	PART NO	DESCRIPTION	ITEM	PART NO	DESCRIPTION
1	RJAS2500.01	HANDLE, UPPER	18	RJAS2500.18	WALL FRAME	35	RJAS2500.35	JOINT AXEL
2	RJAS2500.02	HANDLE GRIP	19	RJAS2500.19	NUT M10	36	RJAS2500.36	JOINT NUT
3	RJAS2500.03	SCREW	20	RJAS2500.20	NUT M12	37	RJAS2500.37	LEFT BOLT
4	RJAS2500.04	HANDLE, LOWER	21	RJAS2500.21	LOCK WASHER 12	38	RJAS2500.38	HANDLE SOCKET
5	RJAS2500.05	BOLT	22	RJAS2500.22	FRONT WHEEL SPACER	39	RJAS2500.39	WASHER
6	RJAS2500.06	LOCK WASHER 10	23	RJAS2500.23	FRONT WHEEL	40	RJAS2500.40	HYDRAULIC UNIT ASS'Y
7	RJAS2500.07	BIG WASHER 10	24	RJAS2500.24	WASHER 16	41	RJAS2500.41	RETURN SPRING
8	RJAS2500.08	LOCK WASHER 8	25	RJAS2500.25	BOLT M8x20	42	RJAS2500.42	PIN 4 X 40
9	RJAS2500.09	SCREW M8x20	26	RJAS2500.26	AXLE, FRONT WHEEL	43	RJAS2500.43	RETAINING RING 20
10	RJAS2500.10	NUT M12	27	RJAS2500.27	CONNECTING ROD	44	RJAS2500.44	CONNECTING ROD
11	RJAS2500.11	REAR WHEEL FRAME	28	RJAS2500.28	SHAFT	45	RJAS2500.45	LIFTING ARM ASS'Y
12	RJAS2500.12	SWIVEL CASTER ASS'Y	29	RJAS2500.29	CONNECTING ROD PIN	46	RJAS2500.46	SADDLE
13	RJAS2500.13	SCREW	30	RJAS2500.30	POSITIONING BLOCK	47	RJAS2500.47	AXEL SADDLE
14	RJAS2500.14	SCREW M12x25	31	RJAS2500.31	RUBBER BUSHING	48	RJAS2500.48	WASHER 12
15	RJAS2500.15	LOCK WASHER 12	32	RJAS2500.32	GUARD PLATE	--	RJAS2500.51	SADDLE PAD (not shown)
16	RJAS2500.16	LOCK WASHER 8	33	RJAS2500.33	BOLT			
17	RJAS2500.17	HANDLE	34	RJAS2500.34	JOINT NUT			

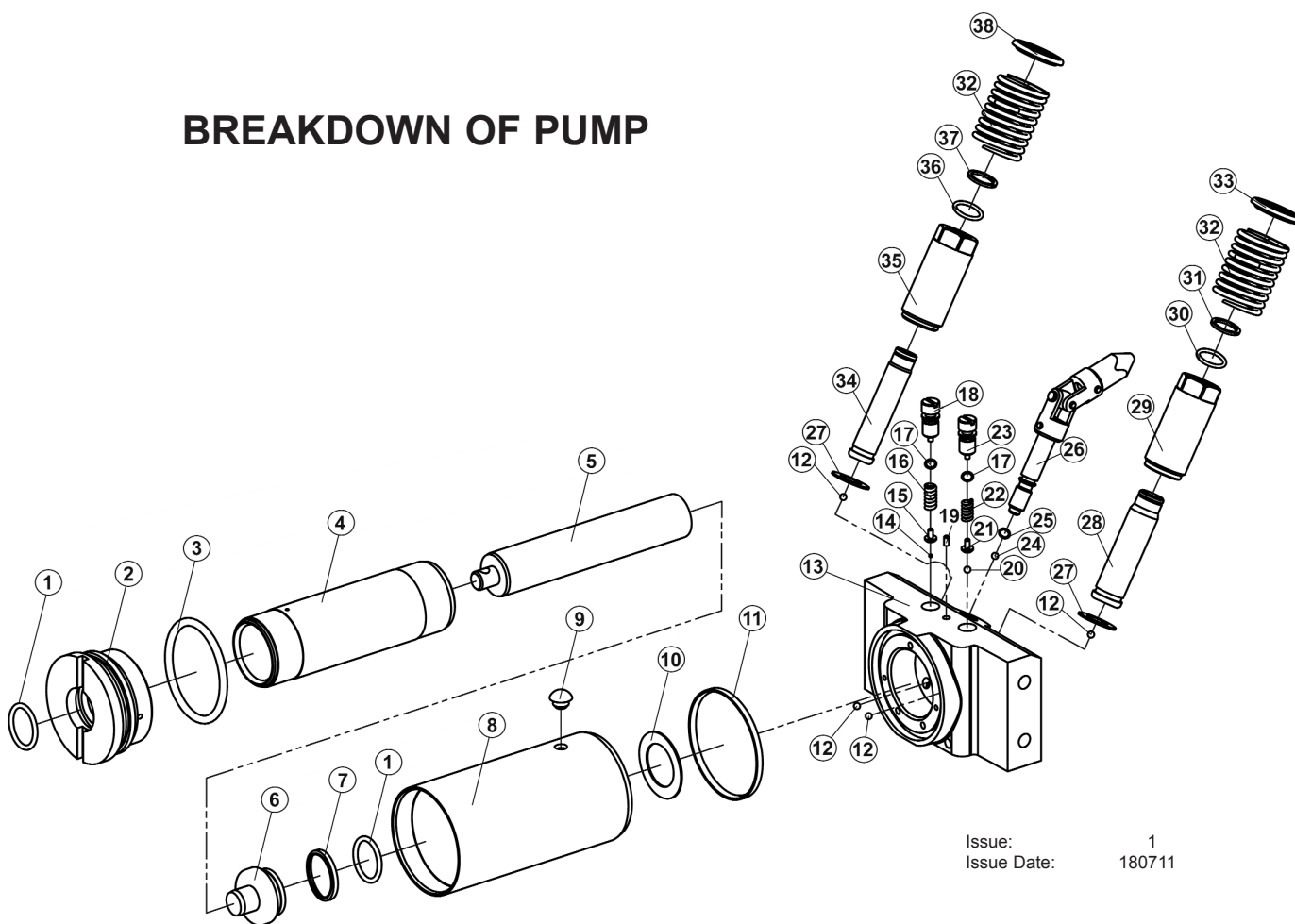
**NOTE:** It is our policy to continually improve products and as such we reserve the right to alter data, specifications and component parts without prior notice.

**IMPORTANT:** No liability is accepted for incorrect use of product.

**WARRANTY:** Guarantee is 12 months from purchase date, proof of which will be required for any claim.

**INFORMATION:** For a copy of our latest catalogue and promotions call us on 01284 757525 and leave your full name and address, including postcode.

## BREAKDOWN OF PUMP



Issue: 1  
 Issue Date: 180711

ITEM	PART NO	DESCRIPTION	ITEM	PART NO	DESCRIPTION
1	RJAS2500.P01	O-RING	20	RJAS2500.P20	STEEL BALL (4mm)
2	RJAS2500.P02	TOP CAP	21	RJAS2500.P21	SPRING BASE
3	RJAS2500.P03	O-RING	22	RJAS2500.P22	RELEASE VALVE SPRING
4	RJAS2500.P04	CYLINDER	23	RJAS2500.P23	RELEASE VALVE NUT
5	RJAS2500.P05	PISTON ROD	24	RJAS2500.P24	STEEL BALL (6mm)
6	RJAS2500.P06	PISTON	25	RJAS2500.P25	O-RING
7	RJAS2500.P07	RING	26	RJAS2500.P26	DISCHARGE VALVE ASS'Y
8	RJAS2500.P08	RESERVOIR	27	RJAS2500.P27	PLUNGER PAD
9	RJAS2500.P09	OIL FILLER PLUG	28	RJAS2500.P28	PLUNGER
10	RJAS2500.P10	WASHER	29	RJAS2500.P29	PUMP
11	RJAS2500.P11	WASHER	30	RJAS2500.P30	O-RING
12	RJAS2500.P12	STEEL BALL (5mm)	31	RJAS2500.P31	RETAINING RING
13	RJAS2500.P13	BASE PLATE	32	RJAS2500.P32	SPRING
14	RJAS2500.P14	STEEL BALL (3mm)	33	RJAS2500.P33	SPRING CIRCLIP
15	RJAS2500.P15	SPRING BASE	34	RJAS2500.P34	PLUNGER
16	RJAS2500.P16	SAFETY VALVE SPRING	35	RJAS2500.P35	PUMP
17	RJAS2500.P17	O-RING	36	RJAS2500.P36	O-RING
18	RJAS2500.P18	OVERLOAD VALVE NUT	37	RJAS2500.P37	RETAINING RING
19	RJAS2500.P19	TAPER BOLT	38	RJAS2500.P38	SPRING CIRCLIP

**NOTE:** It is our policy to continually improve products and as such we reserve the right to alter data, specifications and component parts without prior notice.

**IMPORTANT:** No liability is accepted for incorrect use of product.

**WARRANTY:** Guarantee is 12 months from purchase date, proof of which will be required for any claim.

**INFORMATION:** For a copy of our latest catalogue and promotions call us on 01284 757525 and leave your full name and address, including postcode.