



INSTRUCTIONS FOR:
**MODULAR CORNER FLOOR AND WALL
 CABINETS 865mm**
 MODEL NO'S: **APMS60, APMS61**

Thank you for purchasing a Sealey product. Manufactured to a high standard, this product will, if used according to these instructions, and properly maintained, give you years of trouble free performance.

IMPORTANT: PLEASE READ THESE INSTRUCTIONS CAREFULLY. NOTE THE SAFE OPERATIONAL REQUIREMENTS, WARNINGS & CAUTIONS. USE THE PRODUCT CORRECTLY AND WITH CARE FOR THE PURPOSE FOR WHICH IT IS INTENDED. FAILURE TO DO SO MAY CAUSE DAMAGE AND/OR PERSONAL INJURY AND WILL INVALIDATE THE WARRANTY. KEEP THESE INSTRUCTIONS SAFE FOR FUTURE USE.



Refer to
 Instruction
 Manual



Wear
 Protective
 Gloves

1. SAFETY

- WARNING!** Ensure Health & Safety, local authority, and general workshop practice regulations are adhered to when using this storage system.
- ✓ Locate in a suitable work area.
- ✓ Keep the work area clean, uncluttered and ensure there is adequate lighting.
- WARNING!** Use storage on level and solid ground, preferably concrete.
- ✓ Keep the storage system clean and tidy in accordance with good workshop practice.
- ✓ Keep children and unauthorised persons away from the work area.
- ✗ **DO NOT** use the storage system for any purpose other than that for which it is designed.
- ✗ **DO NOT** use the storage system outdoors.
- ✗ **DO NOT** place the storage system in a damp or wet location or an area where there is condensation.
- ✗ **DO NOT** clean the storage system with any solvents which may damage the surfaces or the protective coating.
- ✗ **DO NOT** move the storage system when there are items placed inside.
- ✗ **DO NOT** step on the shelves.
- ✗ **DO NOT** overload the storage system.

2. INTRODUCTION

Modular storage system ideal for any garage/workshop. Durable construction that will last for years. Easily adjusts to specific needs. Purchase a simple base cabinet or create a full workshop storage system.

Standard features include:

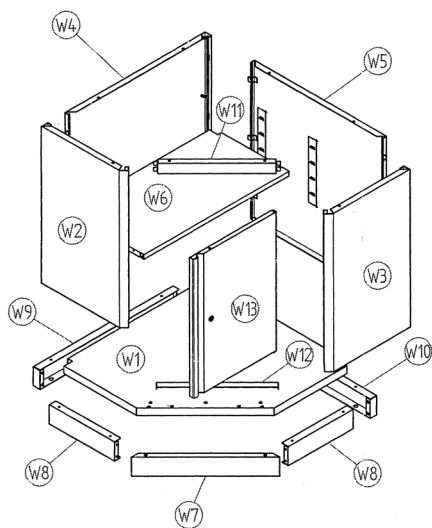
- Modular design to enable easy upgrading.
- Tough and durable construction with a hammered metal finish on the doors and drawers.
- Aluminium handles and drawer pulls.
- Ball bearing slides throughout.
- Choice of worktop - pressed wood or stainless steel.
- Gas struts on wall cabinet doors or simple tambour front.
- Floor cabinets feature adjustable shelves.
- All pieces are fully welded except Model No's APMS55, APMS56 and APMS60 Floor Cabinets which require simple assembly.
- Each unit supplied with a lock and two keys (except wall cabinets).

3. SPECIFICATION

Model No:	APMS60	APMS61
Overall Size (W x D x H)	865 x 865 x 910mm	865 x 865 x 350mm

4. CONTENTS

APMS60



PARTS LIST

ITEM	DESCRIPTION	QTY.
W1	Bottom Panel	1
W2	Left Side Panel	1
W3	Right Side Panel	1
W4	Left Back Panel	1
W5	Right Back Panel	1
W6	Adjustable Shelf	1
W7	Base Front Panel	1
W8	Base short Side Panel	2
W9	Base long Side Panel	1
W10	Base back Panel	1
W11	Ledge Panel	1
W12	Baffle	1
W13	Door	1

HARDWARE CONTENTS

NO.	DESCRIPTION	QTY.
A	Screws ST6×12	21+1
B	Bolts M6×12	16



A

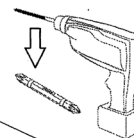


B

RECOMMENDED TOOLS FOR INSTALLATION

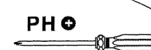


FOR B



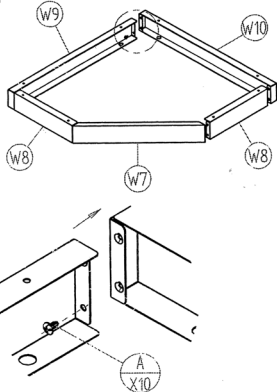
OR

FOR A

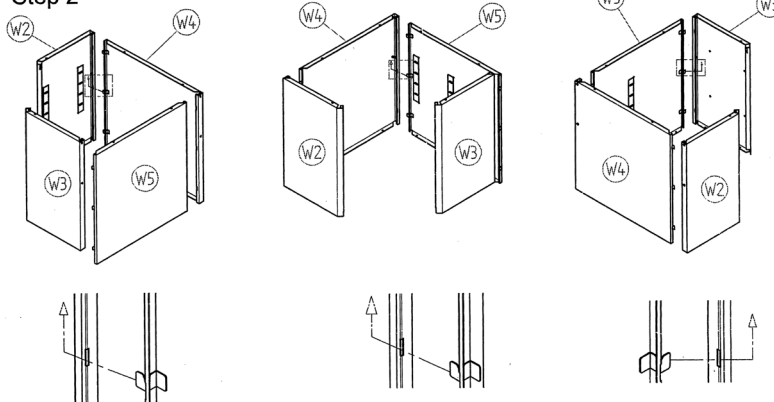


5. ASSEMBLY

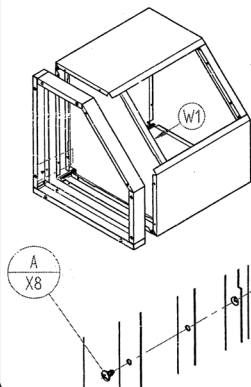
Step 1



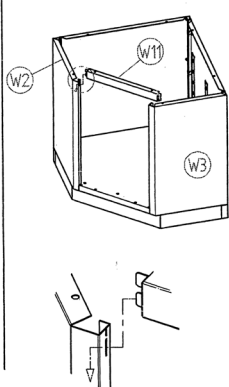
Step 2



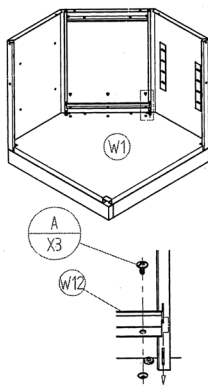
Step 3



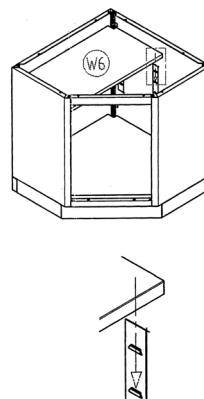
Step 4



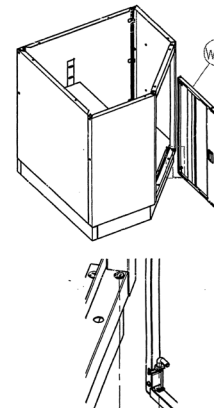
Step 5



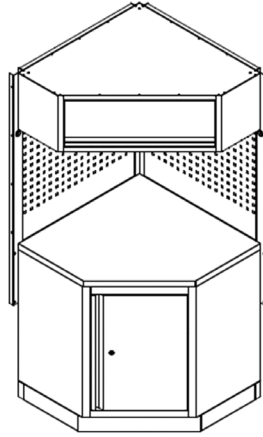
Step 6



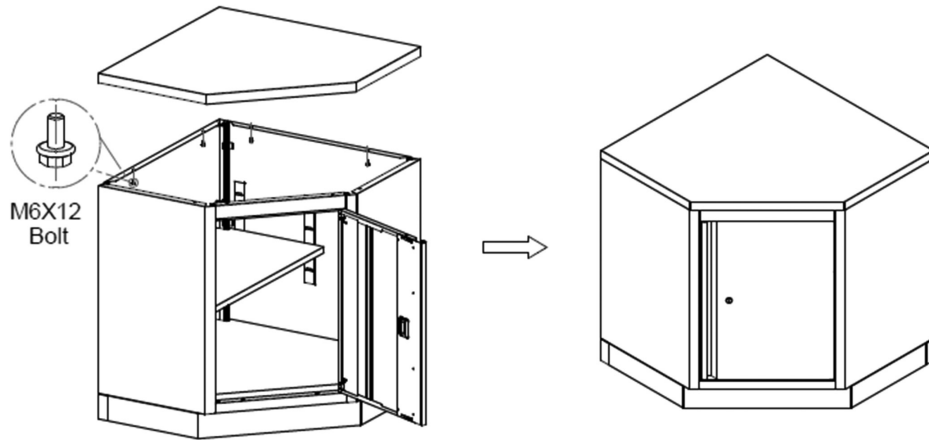
Step 7



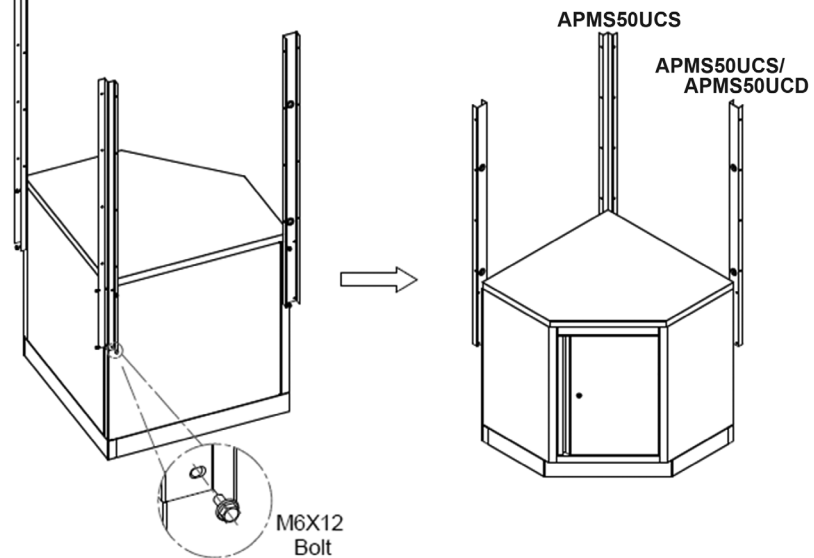
STORAGE ASSEMBLY INSTRUCTIONS



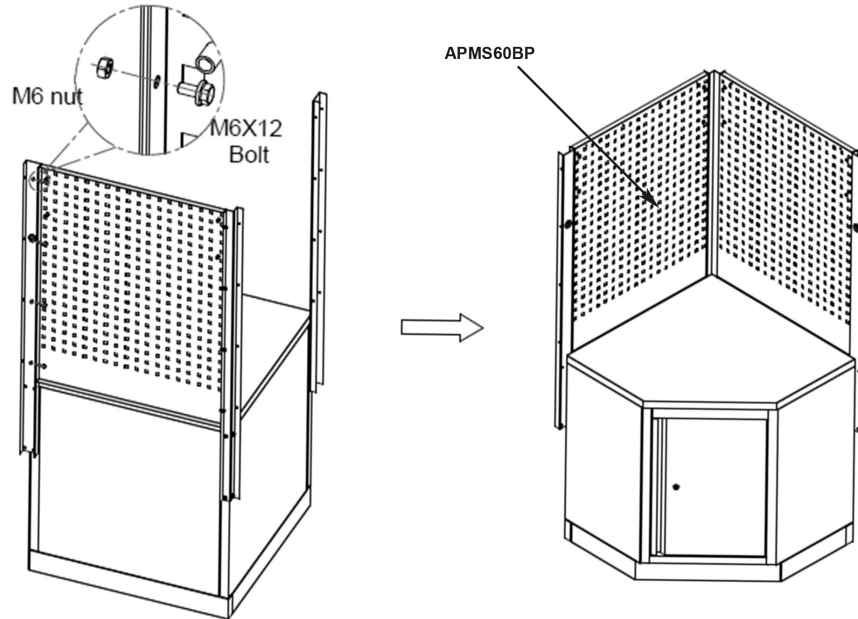
STEP 1.



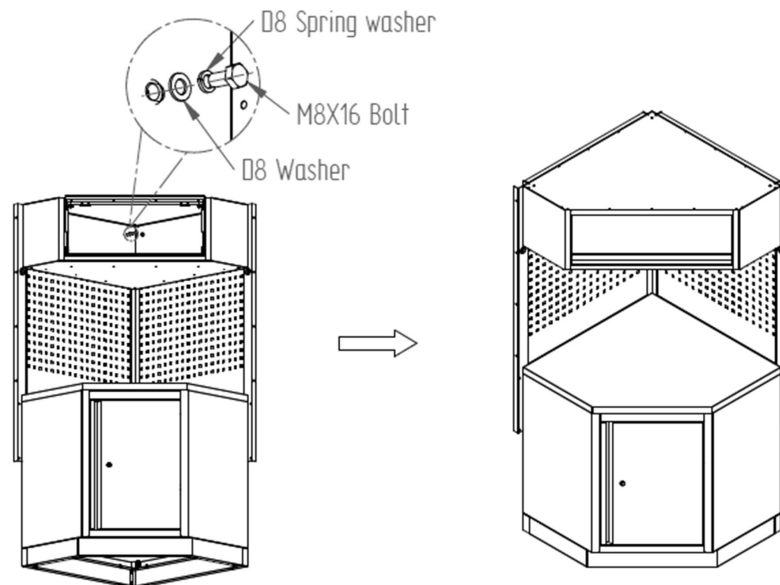
STEP 2.



STEP 3.



STEP 4.



Parts support is available for this product. To obtain a parts listing and/or diagram, please log on to www.sealey.co.uk, email sales@sealey.co.uk or telephone 01284 757500.

Environmental Protection



Recycle unwanted materials instead of disposing of them as waste. All tools, accessories and packaging should be sorted, taken to a recycling centre and disposed of in a manner which is compatible with the environment. When the product becomes completely unserviceable and requires disposal of it according to local regulations.

SEALEY

Sole UK Distributor, Sealey Group,
Kempson Way, Suffolk Business Park,
Bury St. Edmunds, Suffolk,
IP32 7AR



01284 757500



01284 703534



www.sealey.co.uk



sales@sealey.co.uk