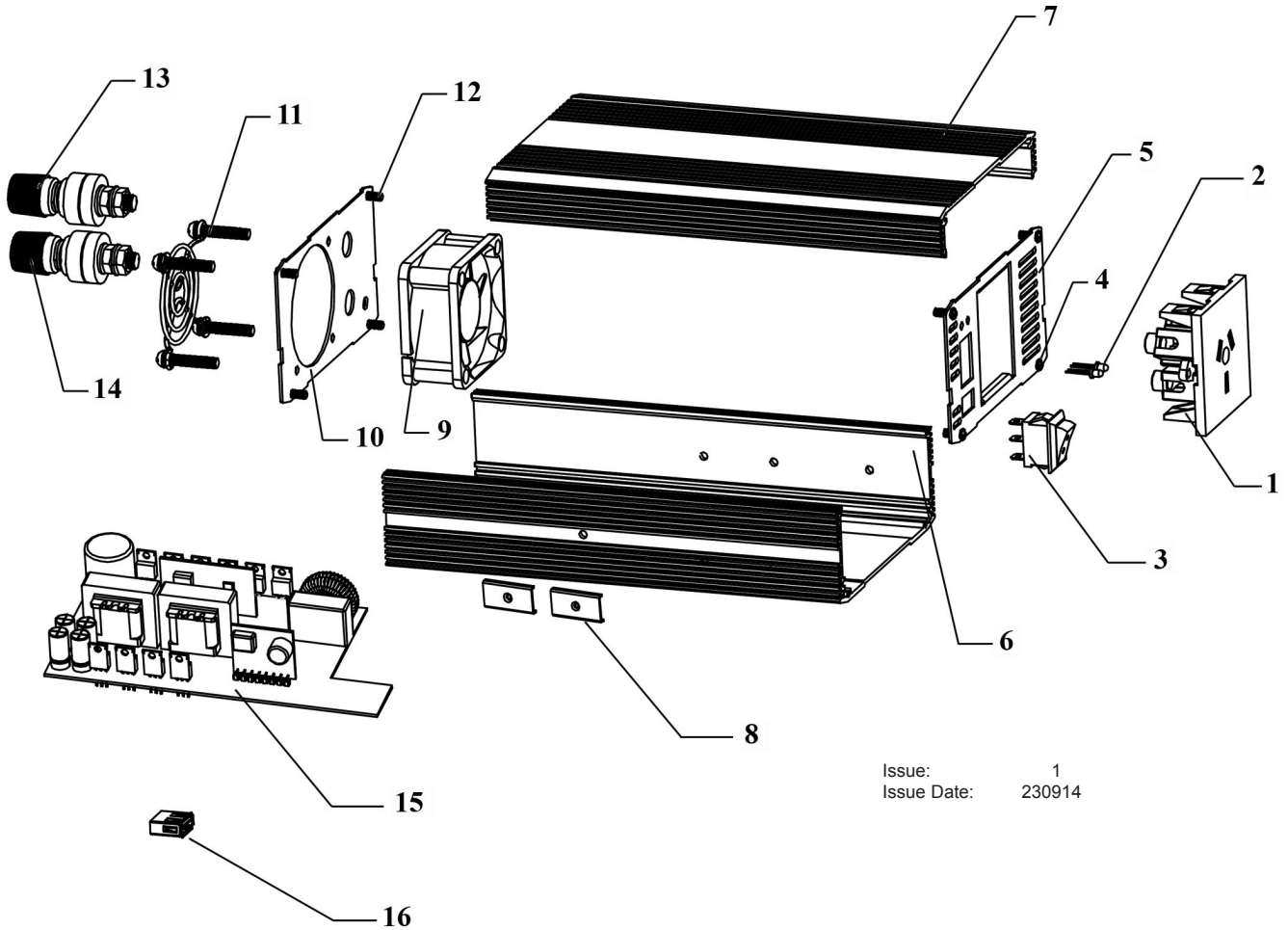




PARTS FOR:
POWER INVERTER PURE SINE WAVE 600W
 MODEL: **PSI600.V2**



Issue: 1
 Issue Date: 230914

ITEM	PART NO	DESCRIPTION	ITEM	PART NO	DESCRIPTION
1	PSI600.01	SOCKET	9	PSI600.V2-09	FAN
2	PSI600.02	INDICATOR LIGHT	10	PSI600.V2-10	FAN COVER
3	PSI600.03	SWITCH	11	PSI600.V2-11	SCREW
4	PSI600.04	SCREW FOR PANEL	12	PSI600.12	SCREW
5	PSI600.05	FRONT PANEL	13	PSI600.13	TERMINAL (POSITIVE)
6	PSI600.V2-06	LOWER PANEL	14	PSI600.14	TERMINAL (NEGATIVE)
7	PSI600.V2-07	UPPER PANEL	15	PSI600.V2-15	CIRCUIT BOARD
8	PSI600.08	SIDE COVER	16	PSI600.V2-16	USB PORT

NOTE: It is our policy to continually improve products and as such we reserve the right to alter data, specifications and component parts without prior notice.

IMPORTANT: No liability is accepted for incorrect use of product.

WARRANTY: Guarantee is 12 months from purchase date, proof of which will be required for any claim.

INFORMATION: For a copy of our latest catalogue and promotions call us on 01284 757525 and leave your full name and address, including postcode.



Sole UK Distributor,
 Sealey Group, Kempson Way,
 Suffolk Business Park,
 Bury St Edmunds, Suffolk, IP32 7AR



01284 757500



01284 703534



www.sealey.co.uk



sales@sealey.co.uk