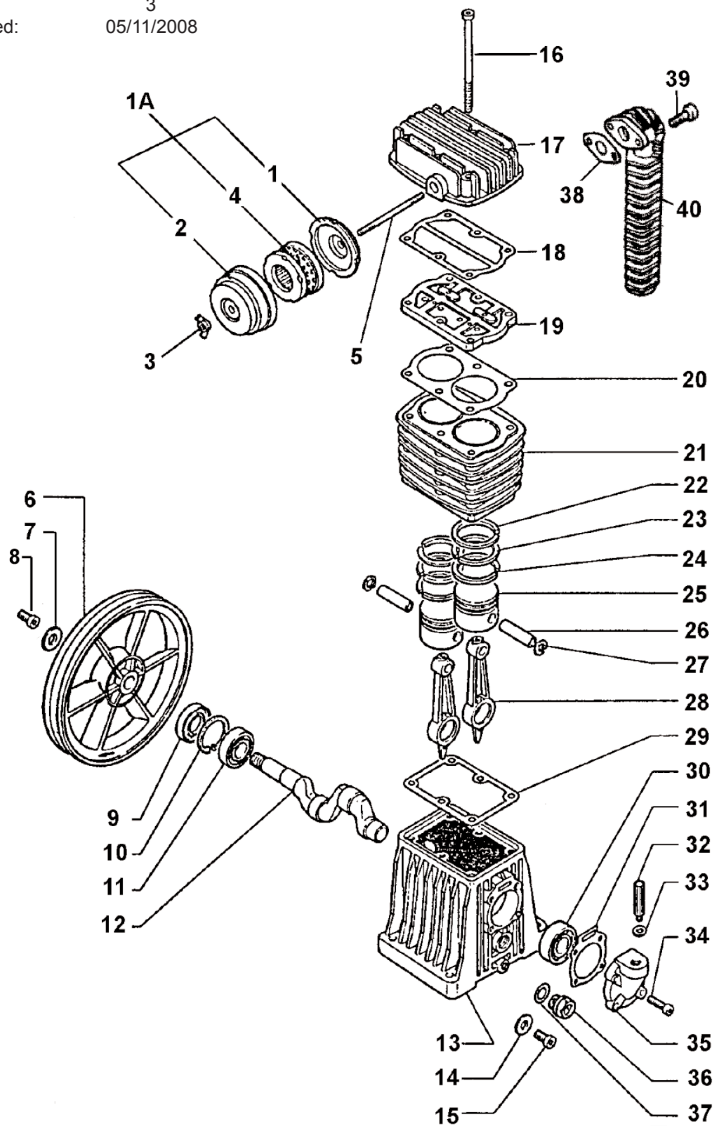


Issue: 3  
Date Issued: 05/11/2008



| ITEM | PART NO    | DESCRIPTION                                     |
|------|------------|---|
| 1A   | SH35640600 | FILTER COMPLETE K12 (INCORPORATING 1,2, & 4).   |
| 1    | SH35600420 | FILTER BASE PLATE                               |
| 2    | SH35600440 | FILTER COVER                                    |
| 3    | SH37400450 | FLY NUT / FILTER SECURING                       |
| 4    | SH35600430 | FILTER ELEMENT                                  |
| 5    | SH37300410 | STUD FILTER MOUNTING                            |
| 6    | SH31007280 | PUMP PULLEY                                     |
| 7    | SH37508090 | WASHER  |
| 8    | SH37335610 | SCREW   |
| 9    | SH30307540 | OIL SEAL  |
| 10   | SH37607530 | CIRCLIP / CRANK SHAFT                           |
| 11   | SH30300030 | CRANK MAIN BEARING                              |
| 12   | SH30206850 | CRANK SHAFT                                     |
| 13   | SH33106800 | CRANK CASE                                      |
| 14   | SH37500670 | DRAIN BOLT WASHER                               |
| 15   | SH37303340 | DRAIN ALLEN BOLT                                |
| 16   | SH37306930 | HEAD BOLTS                                      |
| 17   | SH31306820 | CYLINDER HEAD                                   |
| 18   | SH30506900 | HEAD GASKET                                     |
| 19   | SH32706840 | VALVE PLATE                                     |
| 20   | SH30506890 | GASKET CYLINDER - VALVE PLATE                   |
| 21   | SH31606810 | CYLINDER / BARREL                               |
| 22   | SH31200300 | PISTON RING-TOP                                 |
| 23   | SH31200290 | PISTON RING-CENTRE                              |
| 24   | SH31200280 | PISTON RING-BASE                                |
| 25   | SH31200270 | PISTON  |
| 26   | SH31200260 | GUDGEON PINS                                    |
| 27   | SH37600230 | CIRCLIP / PISTON                                |
| 28   | SH31106860 | CONNECTING RODS                                 |
| 29   | SH30506880 | BASE GASKET                                     |
| 30   | SH30300030 | CRANK MAIN BEARING                              |
| 31   | SH30506870 | END CAP GASKET                                  |
| 32   | SH3650020A | OIL FILTER / BREATHER CAP                       |
| 33   | SH3050016A | OIL FILLER GASKET                               |
| 34   | SH37306920 | END CAP ALLEN BOLTS                             |
| 35   | SH30406830 | CRANK END CAP/OIL FILLER                        |
| 36   | SH36500140 | OIL LEVEL EYE GLASS                             |
| 37   | SH30500130 | OIL LEVEL WASHER                                |
| 38   | SH30501490 | GASKET  |
| 39   | SH37302530 | SCREW   |
| 40   | SH32901460 | AFTER COOLER PUMP, COMPLETE ASSEMBLY SHK1205110 |

Sole UK Distributor,  
Sealey Group.  
Bury St. Edmunds, Suffolk.



01284 757500



01284 703534

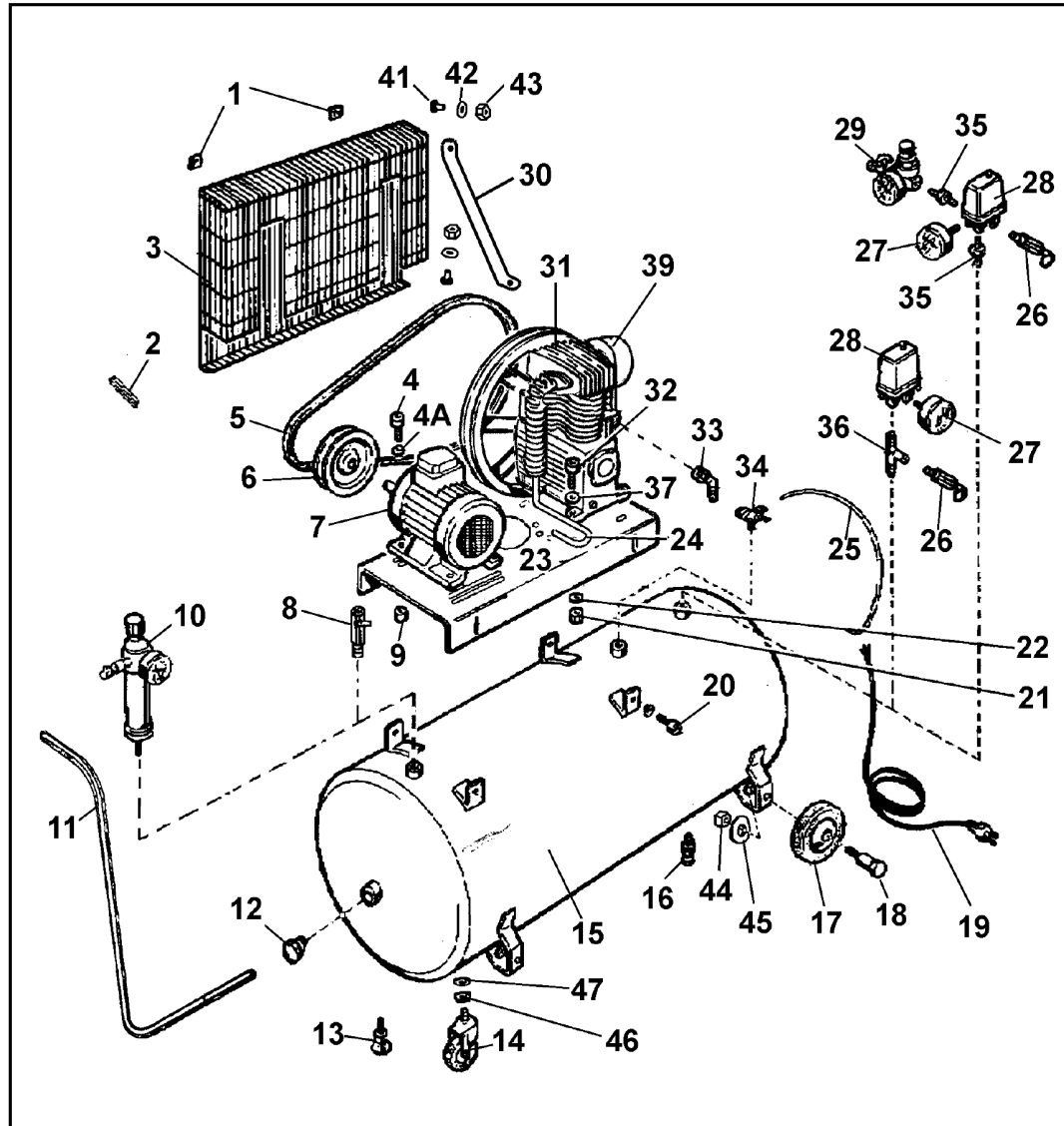


sales@sealey.co.uk



www.sealey.co.uk

## PARTS LIST FOR: COMPRESSOR Models: SA2010/3 SA2015/3 SA2020/3 SA2050/3



| ITEM | PART NO    | DESCRIPTION                           | ITEM | PART NO    | DESCRIPTION |
|------|------------|---------------------------------------|------|------------|-------------|
| 1    | SH13400050 | FIXING BLOCK                          | 42   | SH17500160 | WASHER      |
| 2    | SH13400020 | ANTI VIBRATION BAR                    | 43   | SH17400080 | NUT         |
| 3    | SH13400060 | PULLEY GUARD                          | 44   | SH17400100 | NUT         |
| 4    | SH17300590 | BOLT (MOTOR FIXING)                   | 45   | SH17500110 | WASHER      |
| 4A   | SH17500160 | WASHER                                | 46   | SH17400100 | NUT         |
| 5    | SH13900360 | V/A51 PULLEY BELT                     | 47   | 17500110   | WASHER      |
| 6    | SH13500920 | PULLEY Ø180 SA2015/3 & SA2020/3       |      |            |             |
| 6    | SH13500890 | PULLEY Ø160 SA2010/3 & SA2050/3       |      |            |             |
| 7    | SH10701540 | MOTOR 3 HP                            |      |            |             |
| 8    | SH15300260 | OUTLET TAP 1/2. BSP                   |      |            |             |
| 9    | SH17400080 | NUT                                   |      |            |             |
| 10   | SH13000320 | FILTER REG - SA2010/3 & SA2050/3 ONLY |      |            |             |
| 11   | SH14201250 | HANDLE                                |      |            |             |
| 12   | SH16901890 | 1/2. PLUG                             |      |            |             |
| 12A  | SH16901960 | 2. PLUG                               |      |            |             |
| 13   | SH16500300 | RUBBER FOOT                           |      |            |             |
| 14   | SH13200130 | WHEEL, CASTOR                         |      |            |             |
| 15   | SH11902930 | TANK 50 LTR Model SA2050/3            |      |            |             |
| 15   | SH11902980 | TANK 100 LTR Model SA2010/3           |      |            |             |
| 15   | SH11902990 | TANK 150 LTR Model SA2015/3           |      |            |             |
| 15   | SH11903000 | TANK 200 LTR Model SA2020/3           |      |            |             |
| 16   | SH15300320 | BLEED TAP                             |      |            |             |
| 17   | SH13200060 | WHEEL                                 |      |            |             |
| 18   | SH13200160 | WHEEL BOLT                            |      |            |             |
| 19   | SH16600350 | MAINS CABLE                           |      |            |             |
| 20   | SH17300300 | BOLT M10 X 15                         |      |            |             |
| 21   | SH17400080 | NUT 8MA 65                            |      |            |             |
| 22   | SH17500090 | WASHER                                |      |            |             |
| 23   | SH14201360 | MOUNT PLATE                           |      |            |             |
| 24   | SH14300690 | DELIVERY PIPE                         |      |            |             |
| 25   | SH14300980 | NYLON PIPE                            |      |            |             |
| 26   | SH14400770 | SAFETY VALVE                          |      |            |             |
| 27   | SH15000060 | GAUGE                                 |      |            |             |
| 28   | SH12800270 | PRESSURE SWITCH                       |      |            |             |
| 29   | SH13000330 | REGULATOR & GAUGE ASSEMBLY            |      |            |             |
| 30   | SH14200460 | BRACKET - PULLEY COVER                |      |            |             |
| 31   | SHK1205110 | PUMP K12C                             |      |            |             |
| 32   | SH17300250 | BOLT M8 X 30                          |      |            |             |
| 32   | SH17300270 | BOLT M8 X 40                          |      |            |             |
| 33   | SH16900990 | UNION 90 DEGREE -1/2. BSP             |      |            |             |
| 34   | SH14401570 | NON RETURN VALVE                      |      |            |             |
| 35   | SH16901980 | REDUCER UNION 3/8. - 1/4.             |      |            |             |
| 36   | SH16901440 | UNION                                 |      |            |             |
| 37   | SH17500090 | WASHER                                |      |            |             |
| 38   | SH13000310 | REGULATOR                             |      |            |             |
| 39   | SH35640600 | FILTER COMP                           |      |            |             |
| 40   | SH15300240 | TAP                                   |      |            |             |
| 41   | SH17300230 | BOLT                                  |      |            |             |

Issue: 3  
Date Issued: 05/11/2008

**Sole UK Distributor,  
Sealey Group,  
Bury St. Edmunds, Suffolk.**

  
**01284 757500**

  
**01284 703534**

  
**sales@sealey.co.uk**

  
**www.sealey.co.uk**