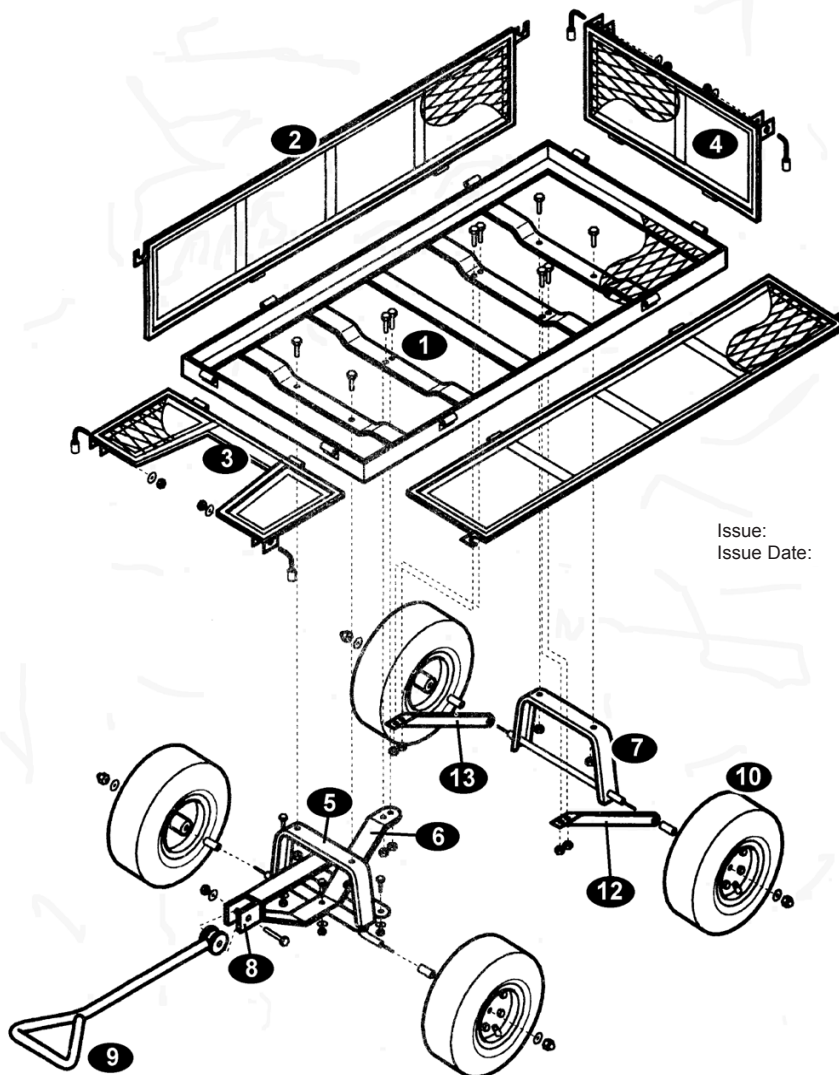


11



Issue: 1
 Issue Date: 050209

ITEM	PART NO	DESCRIPTION
1	CST997.V2-01	FLAT BED
2	CST997.V2-02	SIDE PANEL
3	CST997.V2-03	FRONT PANEL
4	CST997.V2-04	REAR PANEL
5	CST997.V2-05	FRONT AXLE SUPPORT
6	CST997.V2-06	FRONT, CENTRE AXLE BRACE
7	CST997.V2-07	REAR AXLE SUPPORT
8	CST997.V2-08	YOKE
9	CST997.V2-09	HANDLE
10	CST997.V2-10	WHEEL
11	CST997.V2-11	FIXING KIT
12	CST997.V2-12	LEFT REAR AXLE BRACE
13	CST997.V2-13	RIGHT REAR AXLE BRACE

NOTE: It is our policy to continually improve products and as such we reserve the right to alter data, specifications and component parts without prior notice.

IMPORTANT: No liability is accepted for incorrect use of product.

WARRANTY: Guarantee is 12 months from purchase date, proof of which will be required for any claim.

INFORMATION: For a copy of our latest catalogue and promotions call us on 01284 757525 and leave your full name and address, including postcode.