

Issue: 2
 Issue Date: 05/03/2009

ITEM	PART NO	DESCRIPTION	ITEM	PART NO	DESCRIPTION
1	2500LE.01	LIFTING ARM ASS'Y	15	2500LE.15	WASHER 18
2	2500LE.02	HANDLE ASSEMBLY	16	2500LE.16	WASHER
3	2500LE.03	HANDLE SOCKET	17	2500LE.17	BOLT, LEFT
4	2500LE.04	HANDLE SOCKET SCREW	18	2500LE.18	SUPPORTING SHAFT
5	2500LE.05	HANDLE SOCKET PIN	19	2500LE.19	RETAINING RING 25
6	2500LE.06	FRAME ASSEMBLY	20	2500LE.20	LINKING BOLT
7	2500LE.07	WASHER 12	21	2500LE.21	WASHER FOR LINKING BOLT
8	2500LE.08	NUT M12	22	2500LE.22	WASHER 16
9	2500LE.09	SCREW M12x25	23	2500LE.23	NUT M16
10	2500LE.10	REAR WHEEL ASSEMBLY	24	2500LE.24	SADDLE ASSEMBLY
11	2500LE.11	SUPPORTING SHAFT	25	2500LE.25	RETAINING RING 19
12	2500LE.12	HYDRAULIC UNIT ASSEMBLY	26	2500LE.26	FRONT WHEEL
13	2500LE.13	TORSION SPRING	27	2500LE.27	GREASE FITTING
14	2500LE.14	BOLT, RIGHT	28	2500LE.28	RETAINING RING 30

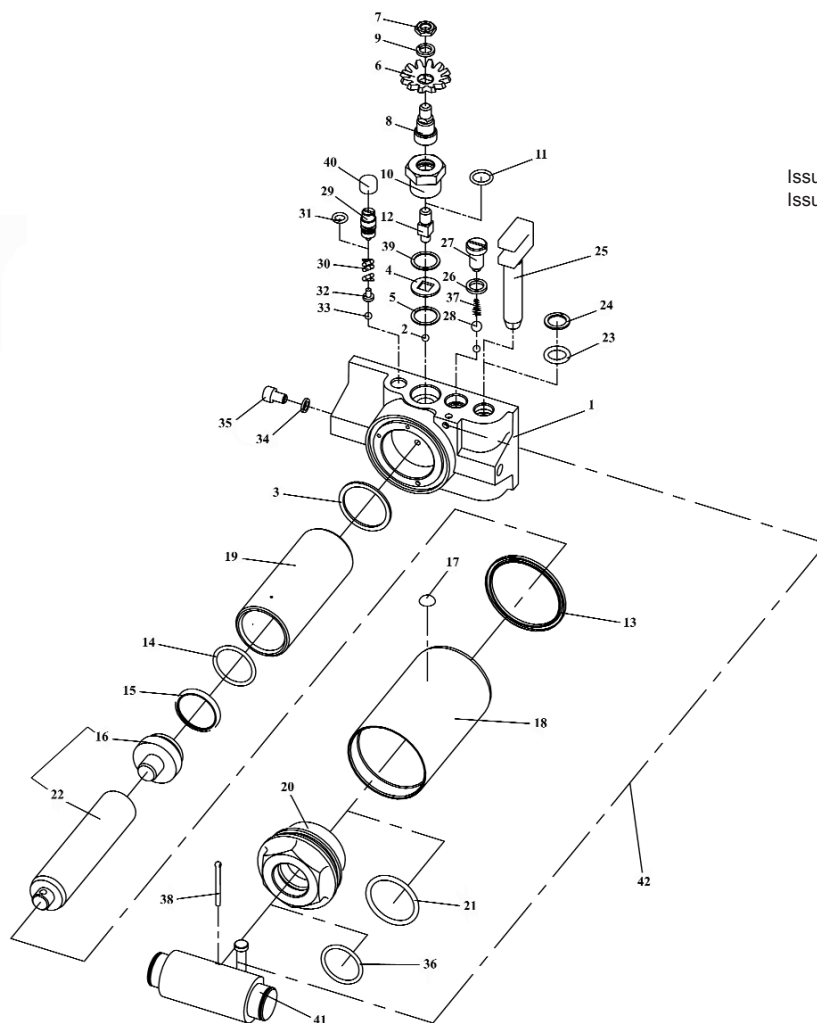
NOTE: It is our policy to continually improve products and as such we reserve the right to alter data, specifications and component parts without prior notice.

IMPORTANT: No liability is accepted for incorrect use of product.

WARRANTY: Guarantee is 12 months from purchase date, proof of which will be required for any claim.

INFORMATION: For a copy of our latest catalogue and promotions call us on 01284 757525 and leave your full name and address, including postcode.

HYDRAULIC UNIT ASSEMBLY



Issue: 2
 Issue Date: 05/03/2009

ITEM	PART NO	DESCRIPTION	ITEM	PART NO	DESCRIPTION
1	2500LE.P01	BASE PLATE	22	2500LE.P22	PISTON ROD (INCLUDES PART 16)
2	2500LE.P02	BALL 6mm	23	2500LE.P23	O-RING 15.7x3.7
3	2500LE.P03	RETAINING RING	24	2500LE.P24	RETAINING RING
4	2500LE.P04	WASHER	25	2500LE.P25	PISTON
5	2500LE.P05	WASHER	26	2500LE.P26	OIL FILLING RECTANGLE RING
6	2500LE.P06	GEAR	27	2500LE.P27	OIL FILLER PLUG
7	2500LE.P07	NUT M10	28	2500LE.P28	BALL 9mm
8	2500LE.P08	RELEASE VALVE LINKING SHAFT	29	2500LE.P29	OVERLOAD VALVE NUT
9	2500LE.P09	WASHER M10	30	2500LE.P30	SAFETY VALVE SPRING
10	2500LE.P10	RELEASE VALVE NUT	31	2500LE.P31	O-RING 8.5x2.65
11	2500LE.P11	O-RING 15x2.65	32	2500LE.P32	SPRING PLUNGER
12	2500LE.P12	RELEASE VALVE CORE	33	2500LE.P33	BALL 3mm
13	2500LE.P13	U-WASHER	34	2500LE.P34	RETAINING RING
14	2500LE.P14	O-RING 34.5x3.55	35	2500LE.P35	BOLT M8x12
15	2500LE.P15	BOWL WASHER	36	2500LE.P36	O-RING 65x3.55
16	2500LE.P16	PISTON (SEE PART 22)	37	2500LE.P37	TAPER SPRING
17	2500LE.P17	OIL FILLER PLUG	38	2500LE.P38	COTTER PIN
18	2500LE.P18	RESERVOIR	39	2500LE.P39	STEEL WASHER
19	2500LE.P19	CYLINDER	40	2500LE.P40	SAFETY VALVE
20	2500LE.P20	CAP	41	2500LE.P41	LINKING BLOCK
21	2500LE.P21	O-RING 33.5x3.55	42	2500LE.P42	RETURNING SPRING

NOTE: It is our policy to continually improve products and as such we reserve the right to alter data, specifications and component parts without prior notice.

IMPORTANT: No liability is accepted for incorrect use of product.

WARRANTY: Guarantee is 12 months from purchase date, proof of which will be required for any claim.

INFORMATION: For a copy of our latest catalogue and promotions call us on 01284 757525 and leave your full name and address, including postcode.