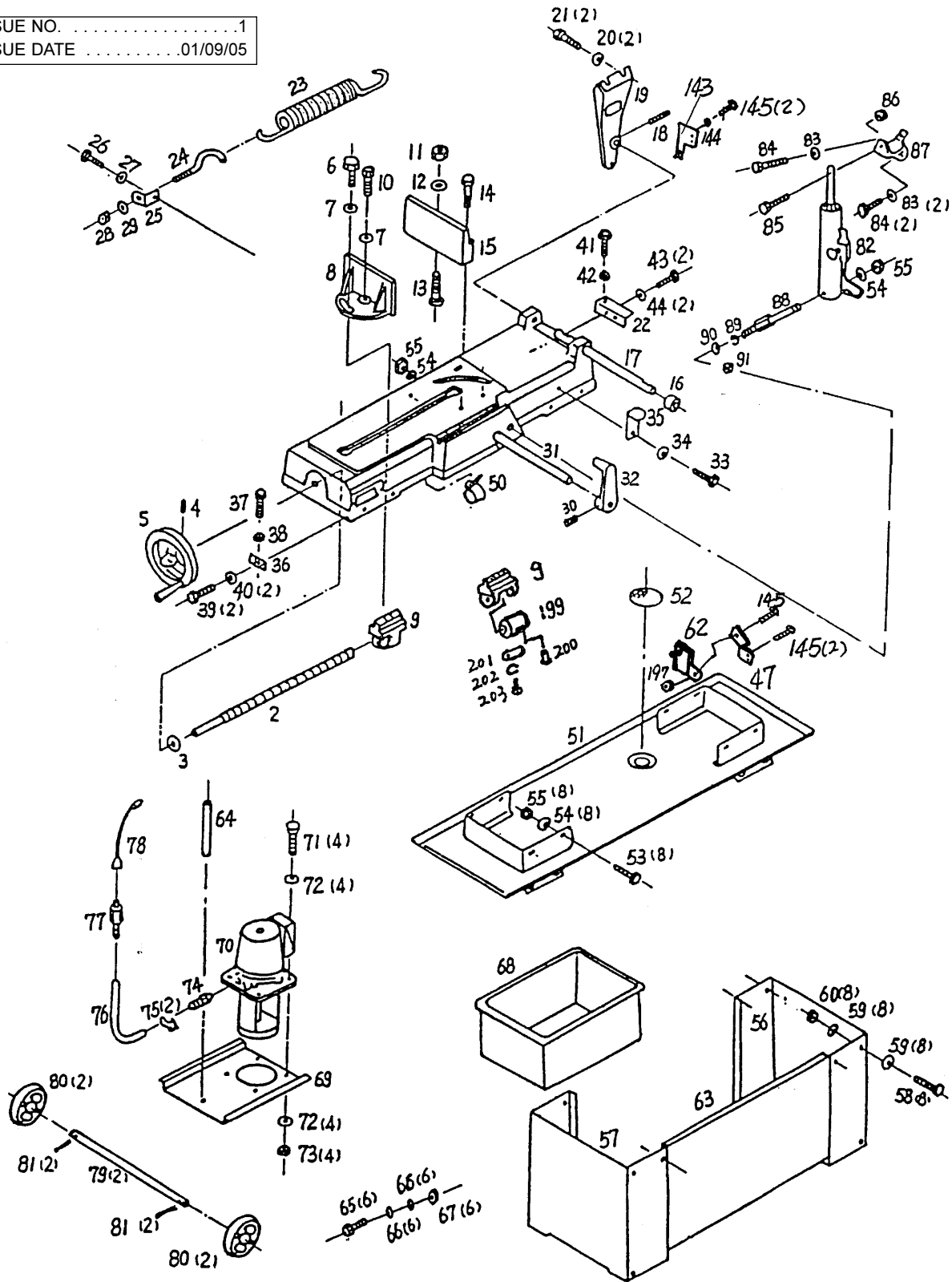


ISSUE NO.1
 ISSUE DATE01/09/05



NOTE: It is our policy to continually improve products and as such we reserve the right to alter data, specifications and component parts without prior notice.

IMPORTANT: No liability is accepted for incorrect use of this product.

WARRANTY: Guarantee is 12 months from purchase date, proof of which will be required for any claim.

INFORMATION: For a copy of our catalogue and latest promotions call us on 01284 757525 and leave your full name, address and postcode.



PARTS INFORMATION FOR:
12" HORIZONTAL BANDSAW
 MODEL: **SM35CE.V4**

ITEM	PART NO.	DESCRIPTION	ITEM	PART NO.	DESCRIPTION
2	SM35CE.V4-002	SCREW	55	SM35CE.V4-055	HEX NUT 5/16"
3	SM35CE.V4-003	WASHER 5/8"	56	SM35CE.V4-056	LEG (RIGHT)
4	SM35CE.V4-004	HEX SOCKET SET SCREW 5/16 x 1/2"	57	SM35CE.V4-057	LEG (LEFT)
5	SM35CE.V4-005	WHEEL	58	SM35CE.V4-058	HEX SCREW 3/8 x 1"
6	SM35CE.V4-006	HEX SCREW 3/8 x 1-1/4"	59	SM35CE.V4-059	WASHER 3/8"
7	SM35CE.V4-007	WASHER 3/8"	60	SM35CE.V4-060	HEX NUT
8	SM35CE.V4-008	WISE JAW BRACKET (FRONT)			
9	SM35CE.V4-009	BRACKET	62	SM35CE.V4-062	LIMIT SWITCH
10	SM35CE.V4-010	HEX SOCKET SCREW M10 x 40mm	63	SM35CE.V4-063	PANEL
11	SM35CE.V4-011	HEX NUT 1/2"	64	SM35CE.V4-064	HOSE
12	SM35CE.V4-012	WASHER 1/2"	65	SM35CE.V4-065	HEX SCREW 5/16 x 5/8"
13	SM35CE.V4-013	CARRIAGE ROLL 1/2 x 2-1/2"	66	SM35CE.V4-066	WASHER 5/16"
14	SM35CE.V4-014	HEX SCREW 1/2 x 2-1/2"	67	SM35CE.V4-067	HEX NUT 5/16"
15	SM35CE.V4-015	WISE JAW BRACKET (REAR)	68	SM35CE.V4-068	COOLANT TANK
16	SM35CE.V4-016	BUSHING	69	SM35CE.V4-069	PUMP SUPPORT
17	SM35CE.V4-017	SUPPORT ROD	70	SM35CE.V4-070	COOLING PUMP
18	SM35CE.V4-018	HEX SOCKET SET SCREW 5/16 x 3/8"	71	SM35CE.V4-071	HEX SCREW
19	SM35CE.V4-019	PIVOT BRACKET	72	SM35CE.V4-072	WASHER 1/4"
20	SM35CE.V4-020	WASHER 3/8"	73	SM35CE.V4-073	HEX NUT 1/4"
21	SM35CE.V4-021	HEX SCREW 3/8" x 1-1/4"	74	SM35CE.V4-074	HOSE FITTING 3/8NPT
22	SM35CE.V4-022	SUPPORT PLATE	75	SM35CE.V4-075	HOSE CLAMP
23	SM35CE.V4-023	SPRING	76	SM35CE.V4-076	HOSE
24	SM35CE.V4-024	SPRING ADJUSTING ROD	77	SM35CE.V4-077	TUBE FITTING 1/4"NPT
25	SM35CE.V4-025	SPRING HANDLE BRACKET	78	SM35CE.V4-078	NOZZLE COCK 1/4NPT x 8"
26	SM35CE.V4-026	HEX SCREW 5/16 x 5/8"	79	SM35CE.V4-079	WHEEL ROD
27	SM35CE.V4-027	WASHER 5/16"	80	SM35CE.V4-080	WHEEL
28	SM35CE.V4-028	HEX NUT 3/8"	81	SM35CE.V4-081	CUTTER PIN
29	SM35CE.V4-029	WASHER 3/8"	82	SM35CE.V4-082	CYLINDER
30	SM35CE.V4-030	HEX SOCKET SET SCREW 5/16 x 3/8"	83	SM35CE.V4-083	WASHER 5/16"
31	SM35CE.V4-031	STOCK STOP ROD	84	SM35CE.V4-084	HEX SCREW 5/16 x 1"
32	SM35CE.V4-032	STOP BLOCK	85	SM35CE.V4-085	HEX SCREW 3/8 x 1-1/4"
33	SM35CE.V4-033	HEX SCREW 5/16 x 5/8"	86	SM35CE.V4-086	HEX NUT 3/8"
34	SM35CE.V4-034	WASHER 5/16"	87	SM35CE.V4-087	CYLINDER BRACKET
35	SM35CE.V4-035	SUPPORT PLATE	88	SM35CE.V4-088	SUPPORT BODY
36	SM35CE.V4-036	SUPPORT PLATE	89	SM35CE.V4-089	SPRING WASHER 15/32"
37	SM35CE.V4-037	HEX SCREW 3/8 x 1-1/2"	90	SM35CE.V4-090	WASHER 15/32"
38	SM35CE.V4-038	HEX NUT 3/8"	91	SM35CE.V4-091	HEX NUT 15/32"
39	SM35CE.V4-039	HEX SCREW 5/16 x 5/8"			
40	SM35CE.V4-040	WASHER 5/16"	143	SM35CE.V4-143	SWITCH HIP
41	SM35CE.V4-041	HEX SCREW 3/8 x 2"	144	SM35CE.V4-144	WASHER 1/4"
42	SM35CE.V4-042	HEX NUT 3/8"	145	SM35CE.V4-145	ROUND SCREW 1/4 x 1/2"
43	SM35CE.V4-043	HEX SCREW 5/16 x 5/8"			
44	SM35CE.V4-044	WASHER 5/16"	197	SM35CE.V4-197	NUT
47	SM35CE.V4-047	COVER			
50	SM35CE.V4-050	WIRE RETAINER	199	SM35CE.V4-199	NUT
51	SM35CE.V4-051	COOLANT PAN	200	SM35CE.V4-200	BUTTON
52	SM35CE.V4-052	FILTER	201	SM35CE.V4-201	RETAINER
53	SM35CE.V4-053	HEX SCREW 5/16 x 1-1/4"	202	SM35CE.V4-202	WASHER
54	SM35CE.V4-054	WASHER 5/16"	203	SM35CE.V4-203	SCREW M4 x 8

FOR MISSING NUMBERS REFER TO OTHER DIAGRAM

ISSUE NO.1
 ISSUE DATE01/09/05

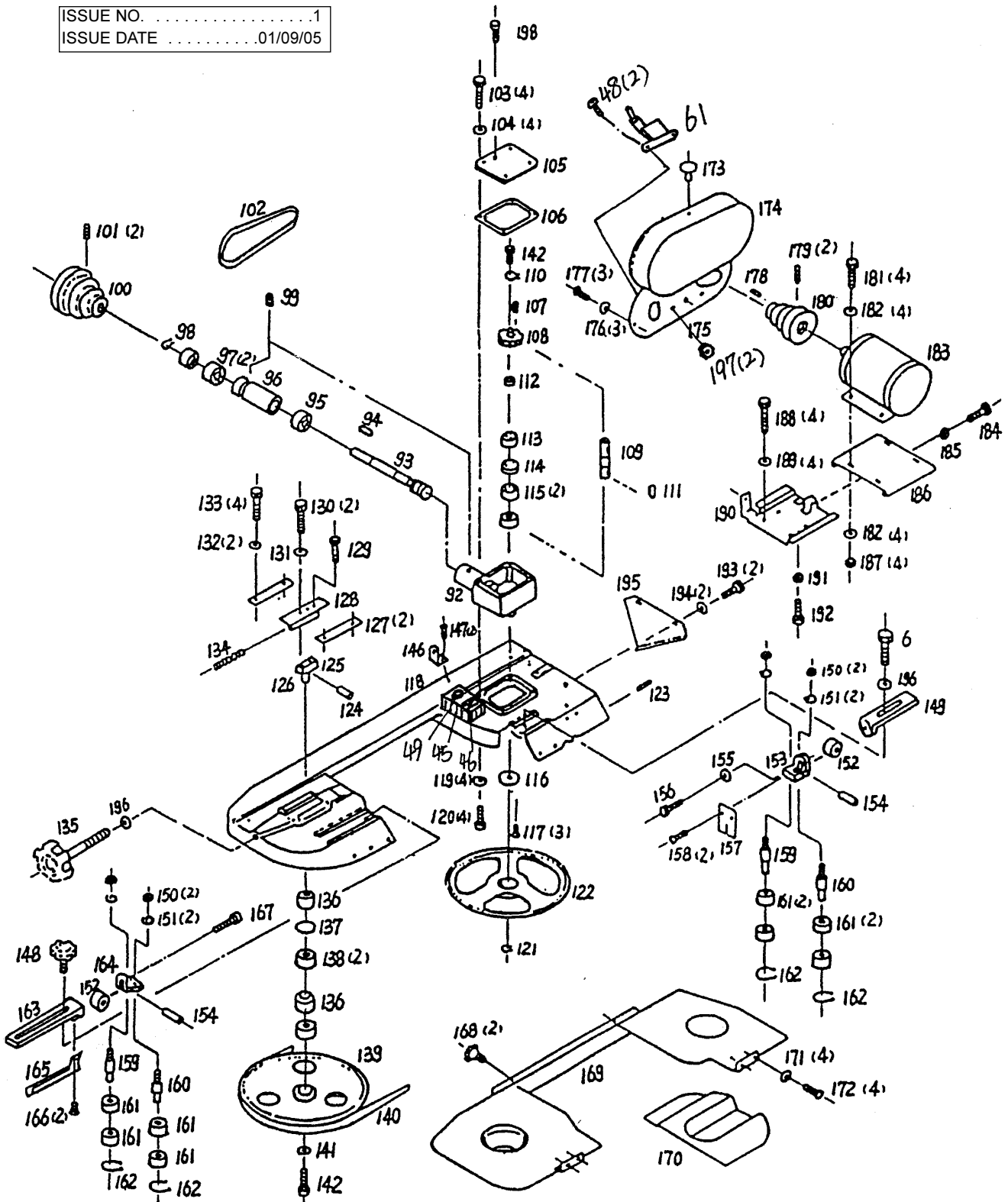


Sole UK Distributor
 Sealey Group,
 Bury St. Edmunds, Suffolk.

01284 757500
 01284 703534

www.sealey.co.uk
 sales@sealey.co.uk

ISSUE NO.1
 ISSUE DATE01/09/05



NOTE: It is our policy to continually improve products and as such we reserve the right to alter data, specifications and component parts without prior notice.
IMPORTANT: No liability is accepted for incorrect use of this product.
WARRANTY: Guarantee is 12 months from purchase date, proof of which will be required for any claim.
INFORMATION: For a copy of our catalogue and latest promotions call us on 01284 757525 and leave your full name, address and postcode.



PARTS INFORMATION FOR:
12" HORIZONTAL BANDSAW
MODEL: SM35CE.V4

ITEM	PART NO.	DESCRIPTION	ITEM	PART NO.	DESCRIPTION
6	SM35CE.V4-006	HEX SCREW 3/8 x 1-1/4"	139	SM35CE.V4-139	BLADE WHEEL (FRONT)
45	SM35CE.V4-045	ELECTRICAL BOX	140	SM35/B04	BLADE 93"x.032"x3/4" 4SKIP TPI
46	SM35CE.V4-046	SWITCH	141	SM35CE.V4-141	WASHER
48	SM35CE.V4-048	ROUND SCREW 3/16 x 3/8"	142	SM35CE.V4-142	HEX SCREW 5/16 x 5/8"
49	SM35CE.V4-049	TOGGLE SWITCH	148	SM35CE.V4-148	HEX SCREW 3/8 x 1.1/4"
61	SM35CE.V4-061	SAFETY SWITCH	149	SM35CE.V4-149	ADJUSTABLE BRACKET (REAR)
92	SM35CE.V4-092	GEAR BOX	150	SM35CE.V4-150	HEX NUT 3/8
93	SM35CE.V4-093	WORM SHAFT	151	SM35CE.V4-151	SPRING WASHER 3/8"
94	SM35CE.V4-094	KEY 5x5x55mm	152	B/6000ZZ	BEARING, 6000ZZ
95	B/6003ZZ	BEARING, 6003ZZ	153	SM35CE.V4-153	BLADE ADJUSTABLE (REAR)
96	SM35CE.V4-096	BEARING BUSHING	154	SM35CE.V4-154	BEARING PIN
97	B/6003Z	BEARING, 6003Z	155	SM35CE.V4-155	WASHER 5/16"
98	SM35CE.V4-098	C-RING	156	SM35CE.V4-156	HEX SOCKET SCREW 5/16 x 1.1/4"
99	SM35CE.V4-099	HEX SOCKET SET SCREW 5/16 x 3/8"	157	SM35CE.V4-157	DEFLECTOR PLATE
100	SM35CE.V4-100	WORM PULLEY	158	SM35CE.V4-158	SCREW 1/4 x 1/2"
101	SM35CE.V4-101	HEX SOCKET SET SCREW 1/4 x 3/8"	159	SM35CE.V4-159	BEARING SHAFT
102	SM35CE.V4-102	BELT	160	SM35CE.V4-160	ECCENTRIC SHAFT
103	SM35CE.V4-103	HEX SCREW 1/4 x 5/8"	161	B/6000ZZ	BEARING, 6000ZZ
104	SM35CE.V4-104	WASHER 1/4"	162	SM35CE.V4-162	C-RING
105	SM35CE.V4-105	GEAR BOX COVER	163	SM35CE.V4-163	ADJUSTABLE BRACKET (FRONT)
106	SM35CE.V4-106	GEAR BOX GASKET	164	SM35CE.V4-164	BLADE ADJUSTABLE (FRONT)
107	SM35CE.V4-107	KEY 5x5x20mm	165	SM35CE.V4-165	BLADE COVER (FRONT)
108	SM35CE.V4-108	WORM GEAR	166	SM35CE.V4-166	ROUND SCREW 5/32 x 1/4"
109	SM35CE.V4-109	TRANSMISSION SHAFT	167	SM35CE.V4-167	HEX SOCKET SCREW 5/16 x 1.1/4"
110	SM35CE.V4-110	C-RING	168	SM35CE.V4-168	PLUM SCREW
111	SM35CE.V4-111	KEY 5x5x20mm	169	SM35CE.V4-169	BLADE BACK COVER
112	SM35CE.V4-112	BUSHING	170	SM35CE.V4-170	WHEEL COVER
113	B/6003ZZ	BEARING, 6003ZZ	171	SM35CE.V4-171	WASHER 1/4"
114	SM35CE.V4-114	BEARING BUSHING	172	SM35CE.V4-172	ROUND SCREW 1/4 x 1/2"
115	B/6003Z	BEARING, 6003Z	173	SM35CE.V4-173	PLUM SCREW
116	SM35CE.V4-116	BEARING COVER	174	SM35CE.V4-174	MOTOR PULLEY COVER
117	SM35CE.V4-117	SCREW 5/32 x 3/8"	175	SM35CE.V4-175	PULLEY, BOTTOM COVER
118	SM35CE.V4-118	BODY FRAME	178	SM35CE.V4-178	KEY 5x5x40
119	SM35CE.V4-119	SPRING WASHER 3/8"	179	SM35CE.V4-179	HEX SOCKET SET SCREW 1/4 x 3/8"
120	SM35CE.V4-120	HEX SCREW 3/8 x 1-1/4"	180	SM35CE.V4-180	MOTOR PULLEY
121	SM35CE.V4-121	C-RING	181	SM35CE.V4-181	HEX SCREW 3/8 x 1"
122	SM35CE.V4-122	BLADE WHEEL (REAR)	182	SM35CE.V4-182	WASHER 3/8"
123	SM35CE.V4-123	HEX SOCKET SET SCREW 5/16 x 3/8"	183	SM35CE.V4-183	MOTOR
124	SM35CE.V4-124	PIN Ø4x25mm	184	SM35CE.V4-184	HEX SOCKET SCREW 3/8 x 2.1/4"
125	SM35CE.V4-125	SLIDING DRAW BLOCK	185	SM35CE.V4-185	HEX NUT 3/8"
126	SM35CE.V4-126	BLADE WHEEL SHAFT (FRONT)	186	SM35CE.V4-186	MOTOR MOUNT PLATE
127	SM35CE.V4-127	SLIDING GUIDE PLATE	187	SM35CE.V4-187	HEX NUT 3/8"
128	SM35CE.V4-128	BLADE TENSION SLIDING BLOCK	188	SM35CE.V4-188	HEX SCREW 5/16 x 1/2"
129	SM35CE.V4-129	HEX SCREW 5 x 16 x 1.3/4"	189	SM35CE.V4-189	WASHER 5/16"
130	SM35CE.V4-130	HEX SCREW	190	SM35CE.V4-190	MOTOR MOUNT BRACKET
131	SM35CE.V4-131	SPRING WASHER 5/16"	191	SM35CE.V4-191	HEX NUT
132	SM35CE.V4-132	WASHER 5/16"	192	SM35CE.V4-192	HEX SCREW 1/4 x 1"
133	SM35CE.V4-133	HEX SCREW 5 x 16 x 5/8"	193	SM35CE.V4-193	HEX SCREW 1/4 x 1/2"
134	SM35CE.V4-134	SPRING	194	SM35CE.V4-194	WASHER 1/4"
135	SM35CE.V4-135	ADJUSTABLE BLADE KNOB	195	SM35CE.V4-195	SUPPORT PLATE
136	SM35CE.V4-136	BEARING BUSHING	196	SM35CE.V4-196	WASHER 3/8"
137	SM35CE.V4-137	C-RING			
138	B/620ZZ	BEARING, 620ZZ			

FOR MISSING NUMBERS REFER TO OTHER DIAGRAM

ISSUE NO.1
 ISSUE DATE01/09/05