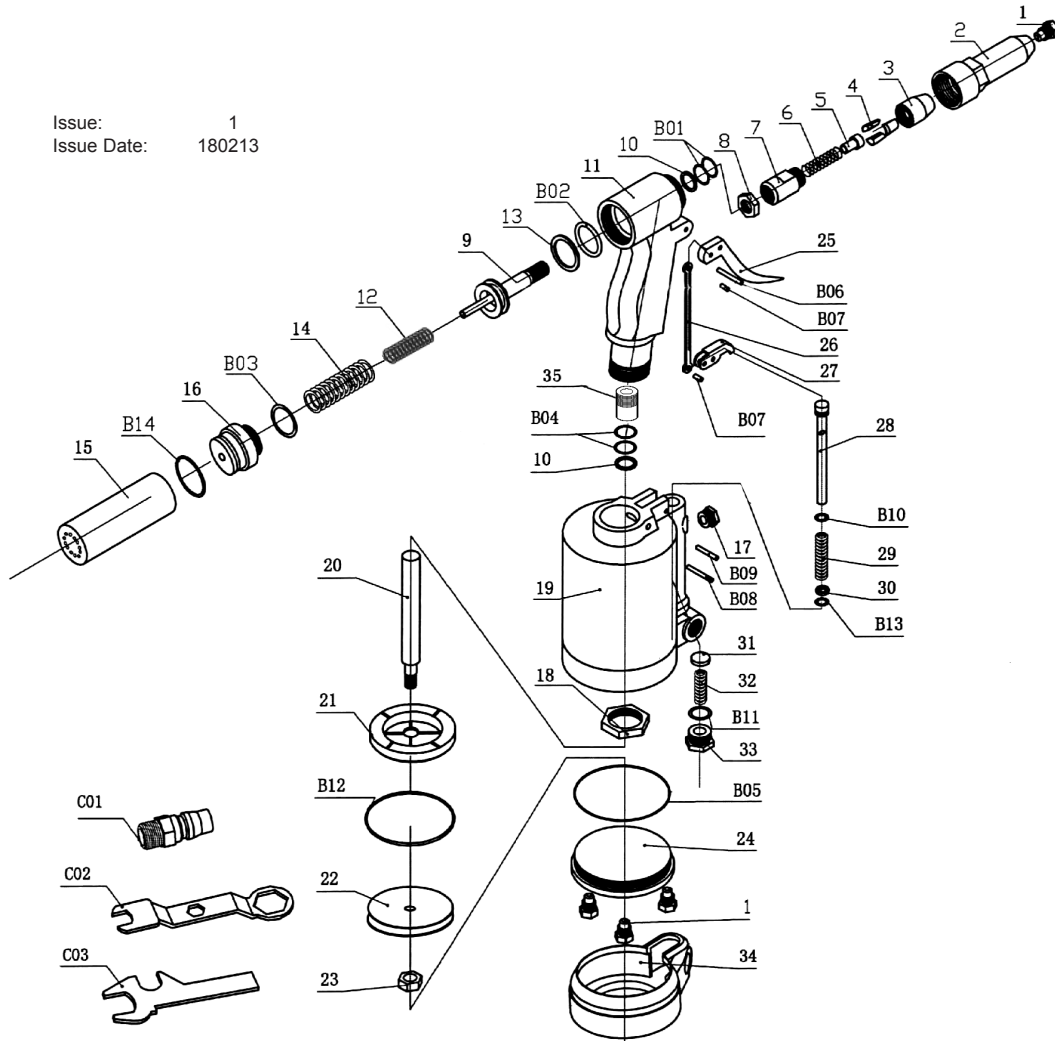


PARTS FOR:
AIR RIVETER 1/4" STEEL ALUMINIUM &
STAINLESS STEEL RIVETS
MODEL: **SA314.V3**

Issue: 1
Issue Date: 180213



ITEM	PART NO	DESCRIPTION	ITEM	PART NO	DESCRIPTION
1	SA314.V2-01	NOSE PIECE 4.0mm (5/32")	25	SA314.V2-25	TRIGGER
	SA314.V2-01.1	NOSE PIECE 4.8mm (3/16")	26	SA314.V2-26	LINK
	SA314.V2-01.2	NOSE PIECE 6.4mm (1/4")	27	SA314.V2-27	CONNECTOR
	SA314.V2-01.3	NOSE PIECE 2.4mm (3/32")	28	SA314.V2-28	AIR VALVE
	SA314.V2-01.4	NOSE PIECE 3.2mm (1/8")	29	SA314.V2-29	VALVE SPRING
2	SA314.V2-02	CYLINDER	30	SA314.V2-30	COPPER WASHER
3	SA314.V2-03	JAW CARRIER	31	SA314.V2-31	VALVE COLLAR
4	SA314.V2-04	JAWS (1SET = 3PCS)	32	SA314.V2-32	SPRING
5	SA314.V2-05	JAW PUSHER	33	SA314.V2-33	NUT
6	SA314.V2-06	JAW PUSHER SPRING	34	SA314.V2-34	BASE COVER
7	SA314.V2-07	JAW CYLINDER	B01	SA314.V2-B01	O-RING
8	SA314.V2-08	LOCK NUT	B02	SA314.V2-B02	O-RING
9	SA314.V3-09	AXIS COMPLETE	B03	SA314.V2-B03	O-RING
10	SA314.V2-10	PLASTIC RING	B04	SA314.V2-B04	O-RING
11	SA314.V2-11	HANDLE	B05	SA314.V2-B05	O-RING
12	SA314.V2-12	SPRING	B06	SA314.V2-B06	SPRING PIN
13	SA314.V2-13	RING	B07	SA314.V2-B07	SPRING PIN
14	SA314.V3-14	SPRING	B08	SA314.V2-B08	SPRING PIN
15	SA314.V2-15	BOTTLE	B09	SA314.V2-B09	SPRING PIN
16	SA314.V3-16	LID	B10	SA314.V2-B10	O-RING
17	SA314.V2-17	BUSH	B11	SA314.V2-B11	O-RING
18	SA314.V2-18	LOCK NUT	B12	SA314.V2-B12	O-RING
19	SA314.V2-19	CYLINDER	B13	SA314.V2-B13	O-RING
20	SA314.V2-20	PISTON	B14	SA314.V2-B14	O-RING
21	SA314.V2-21	CUSHION	C01	SA314.V2C01	AIR VALVE
22	SA314.V2-22	PISTON	C02	SA314.V2C01-1	WRENCH
23	SA314.V2-23	NUT	C03	SA314.V2C01-2	WRENCH
24	SA314.V2-24	CYLINDER LID			

NOTE: It is our policy to continually improve products and as such we reserve the right to alter data, specifications and component parts without prior notice.

IMPORTANT: No liability is accepted for incorrect use of product.

WARRANTY: Guarantee is 12 months from purchase date, proof of which will be required for any claim.

INFORMATION: For a copy of our latest catalogue and promotions call us on 01284 757525 and leave your full name and address, including postcode.