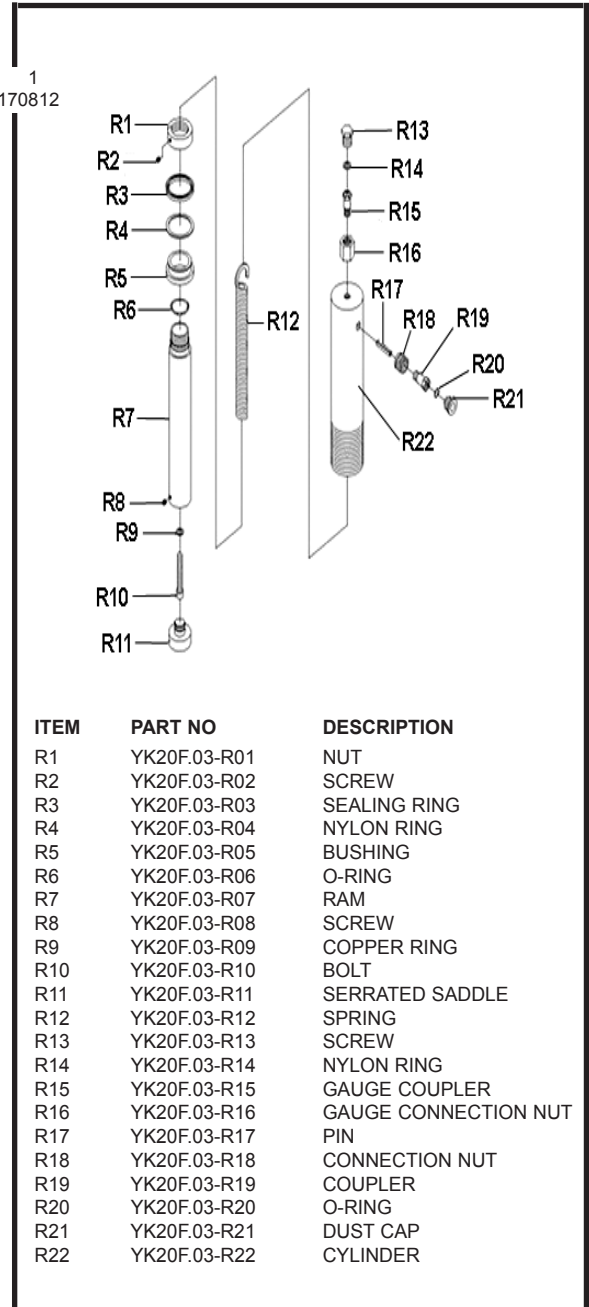
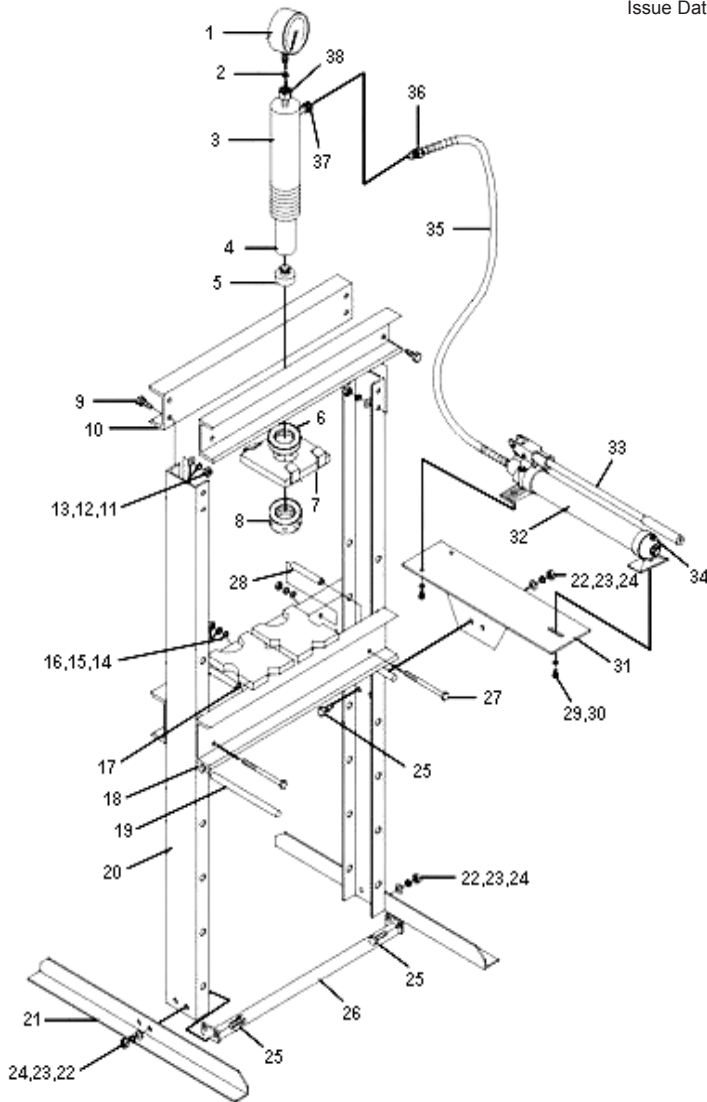


Issue: 1
Issue Date: 170812



ITEM	PART NO	DESCRIPTION	ITEM	PART NO	DESCRIPTION	ITEM	PART NO	DESCRIPTION
1	YK20F.V3-01	PRESSURE GAUGE	14	YK20F.V3-14	WASHER	27	YK20F.V3-27	BOLT M10x30
2	YK20F.V3-02	NYLON RING	15	YK20F.V3-15	LOCK WASHER	28	YK20F.V3-28	BUSHING
3	YK20F.V3-03	RAM ASS'Y	16	YK20F.V3-16	NUT M10	29	YK20F.V3-29	SCREW M8x15
4	YK20F.V3-04	GRUB SCREW M6x5	17	YK20F.V3-17	ARBOR PLATE	30	YK20F.V3-30	WASHER
5	YK20F.V3-05	SADDLE (SERRATED)	18	YK20F.V3-18	BED FRAME	31	YK20F.V3-31	SUPPORT PLATE
6	YK20F.V3-06	UPPER ROUND NUT	19	YK20F.V3-19	FRAME PIN	32	YK20F.V3-32	PUMP ASS'Y
7	YK20F.V3-07	PLATE	20	YK20F.V2-20	UPRIGHT	33	YK20F.V3-33	HANDLE
8	YK20F.V3-08	UPPER NUT	21	YK20F.V3-21	BASE SECTION	34	YK20F.V3-34	OIL FILLER NUT
9	YK20F.V3-09	BOLT	22	YK20F.V3-22	WASHER	35	YK20F.V3-35	HYDRAULIC HOSE
10	YK20F.V3-10	UPPER BEAM	23	YK20F.V3-23	M12 SPRING WASHER BZP	36	YK20F.V3-36	HOSE FITTING
11	YK20F.V3-11	NUT M16	24	YK20F.V3-24	NUT M12	37	YK20F.V3-37	CONNECTION NUT
12	YK20F.V3-12	LOCK WASHER	25	YK20F.V3-25	BOLT M12x30	38	YK20F.V3-38	GAUGE CONNECTION
13	YK20F.V3-13	WASHER	26	YK20F.V3-26	LOWER SUPPORT			

NOTE: It is our policy to continually improve products and as such we reserve the right to alter data, specifications and component parts without prior notice.

IMPORTANT: No liability is accepted for incorrect use of product.

WARRANTY: Guarantee is 12 months from purchase date, proof of which will be required for any claim.

INFORMATION: For a copy of our latest catalogue and promotions call us on 01284 757525 and leave your full name and address, including postcode.