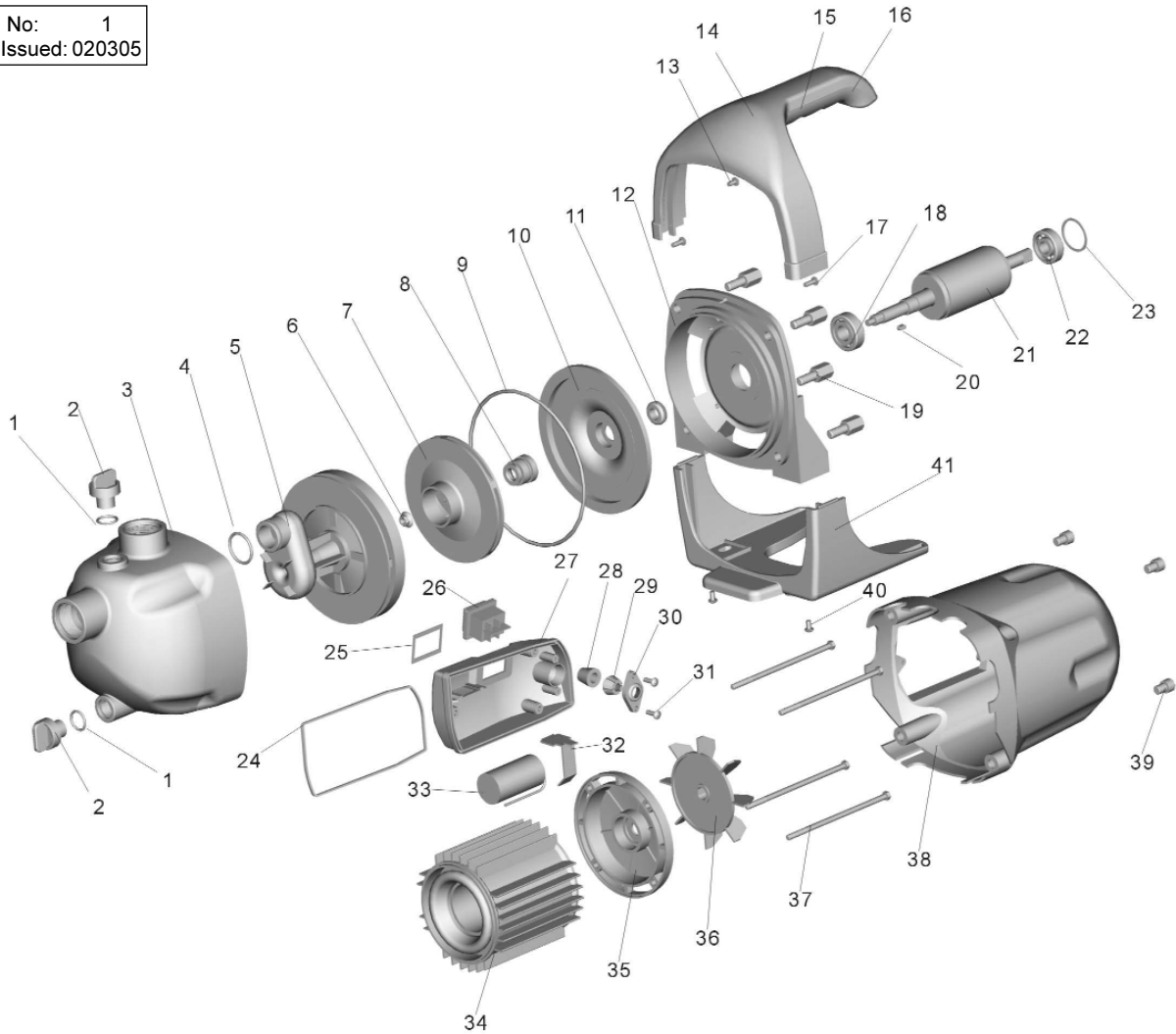


Issue No: 1
Date Issued: 020305



ITEM	PART NO.	DESCRIPTION	ITEM	PART NO.	DESCRIPTION
1	WPS060.01	SEALING O-RING	22	WPS060.22	BALL BEARING
2	WPS060.02	PLUG	23	WPS060.23	WAVE SPRING
3	WPS060.03	PUMP BODY	24	WPS060.24	SEAL RING
4	WPS060.04	SEALING O-RING	25	WPS060.25	SEAL CUSHION FOR SWITCH
5	WPS060.05	DIFFUSER	26	WPS060.26	WATERPROOF SWITCH
6	WPS060.06	NUT	27	WPS060.27	TERMINAL BOX
7	WPS060.07	IMPELLER	28	WPS060.28	SEAL COVER
8	WPS060.08	MECHANICAL SEAL	29	WPS060.29	WIRE BUCKLE
9	WPS060.09	SEALING O-RING	30	WPS060.30	IMPACT COVER
10	WPS060.10	PUMP SUPPORT COVER	31	WPS060.31	SELF-DRIVING SCREW
11	WPS060.11	WATER PROOF GLAND	32	WPS060.32	CAPACITOR CLIP
12	WPS060.12	FRAME	33	WPS060.33	CAPACITOR
13	WPS060.13	SCREW	34	WPS060.34	MOTOR STATOR
14	WPS060.14	HANDLE	35	WPS060.35	END PLATE
15	WPS060.15	HANDLE GRIP	36	WPS060.36	FAN
16	WPS060.16	SELF-DRIVING SCREW	37	WPS060.37	BOLT
17	WPS060.17	SELF-DRIVING SCREW	38	WPS060.38	PUMP COVER
18	WPS060.18	BALL BEARING	39	WPS060.39	COLUMN BOLT
19	WPS060.19	PLUG	40	WPS060.40	SELF-DRIVING SCREW
20	WPS060.20	SHAFT KEY	41	WPS060.41	PUMP BASE
21	WPS060.21	ROTOR			