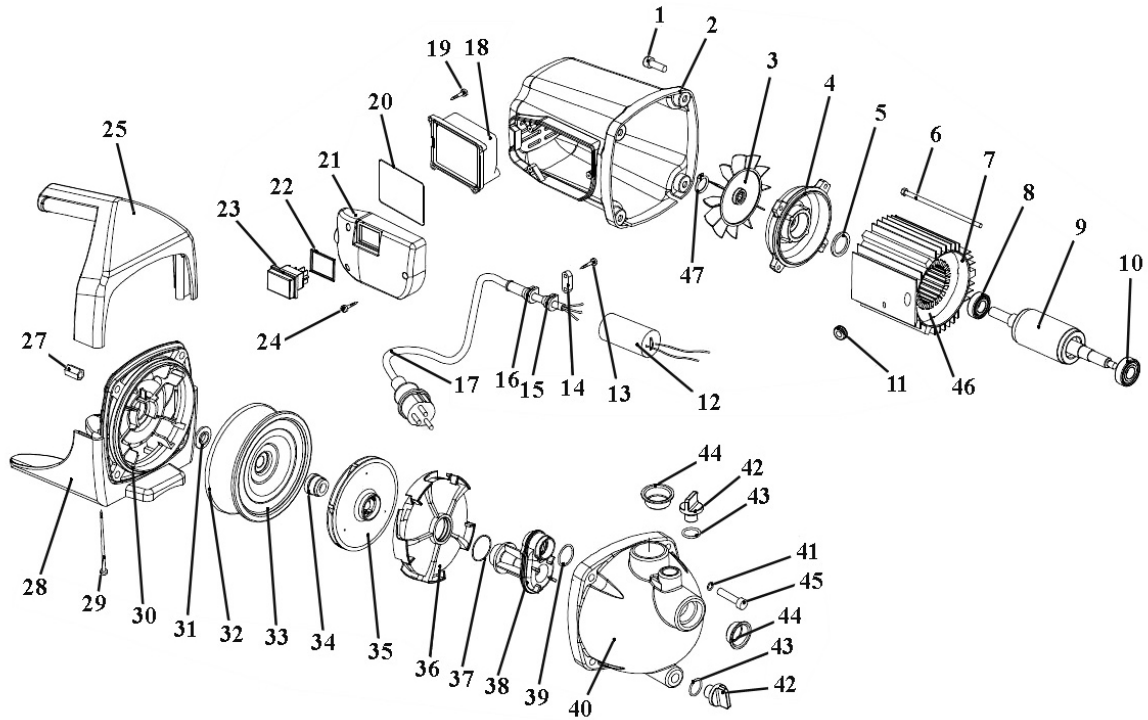


Parts Information:
Surface Mounting Water Pump 53ltr/min
230V
Model No: WPS060.V2



Item	Part No.	Description
1	SCB812.S	SOCKET CAP BOLT ZINC M8X12
2	WPS060.V2-02	MOTOR COVER
3	WPS060.V2-03	FAN
4	WPS060.V2-04	REAR COVER
5	WPS060.V2-05	WAVE WASHER
6	WPS060.V2-06	BOLT M5x125
7	WPS060.V2-07	ALUMINIUM CASING
8	B/6201ZZ	BEARING 6201ZZ
9	WPS060.V2-09	ROTOR
10	B/6202ZZ	BEARING 6202ZZ
11	WPS060.V2-11	WIRE SHEATH
12	WPS060.V2-12	CAPACITOR (16uF)
13	WPS060.V2-13	RD HEAD S/T SCREW M3.8 X 16
14	WPS060.V2-14	CABLE GRIP
15	WPS060.V2-15	CABLE SHEATH
16	WPS060.V2-16	CABLE SHEATH
17	WP08703004	POWER CABLE
18	WPS060.V2-18	WATERPROOF COVER CAP
19	WPS060.V2-19	TAPPING SCREW
20	WPS060.V2-20	O-RING
21	WPS060.V2-21	SIDE COVER
22	WPS060.V2-22	SEALING WASHER
23	WPS060.V2-23	WATERPROOF SWITCH
24	WPS060.V2-24	RD HEAD S/T SCREW M3.4 X 20

Item	Part No.	Description
25	WPS060.V2-25	HANDLE
26	WPS060.V2-26	HEX NUT
27	WPS060.V2-27	STUDDING CONNECTOR
28	WPS060.V2-28	BASE
29	WPS060.V2-29	RD HEAD S/T SCREW M4 X 113
30	WPS060.V2-30	FRONT COVER
31	WPS060.V2-31	BUSHING
32	WPS060.V2-32	O-RING
33	WPS060.V2-33	SEALING PAD
34	WPS060.V2-34	MECHANICAL SEAL
35	WPS060.V2-35	IMPELLER
36	WPS060.V2-36	DIFFUSER PLATE KIT
37	WPS060.V2-37	O-RING
38	WPS060.V2-38	DIFFUSER
39	WPS060.V2-39	O-RING
40	WPS060.V2-40	PUMP HEAD
41	FWM8.S	FLAT WASHER M8 SINGLE
42	WPS060.V2-42	VALVE COVER
43	WPS060.V2-43	O-RING
44	WPS060.V2-44	DUST COVER
45	WP70835	SCREW M8X35
46	WPS060.V2-46	STATOR
47	WPS060.V2-47	BLOCK RING
--	WP01801013	OUTLET ELBOW CONNECTOR (NOT SHOWN)

NOTE: It is our policy to continually improve products and as such we reserve the right to alter data, specifications and component parts without prior notice.

IMPORTANT: No liability is accepted for incorrect use of product.

WARRANTY: Guarantee is 12 months from purchase date, proof of which will be required for any claim.