



INSTRUCTIONS FOR:

216 & 255mm COMPOUND DOUBLE SLIDING MITRE SAWS

MODEL NO'S: **SMS216, SMS255**

Thank you for purchasing a Sealey product. Manufactured to a high standard, this product will, if used according to these instructions and maintained properly, give you years of trouble free performance.

IMPORTANT: PLEASE READ THESE INSTRUCTIONS CAREFULLY. NOTE THE SAFE OPERATIONAL REQUIREMENTS, WARNINGS & CAUTIONS. USE THE PRODUCT CORRECTLY AND WITH CARE FOR THE PURPOSE FOR WHICH IT IS INTENDED. FAILURE TO DO SO MAY CAUSE DAMAGE AND/OR PERSONAL INJURY AND WILL INVALIDATE THE WARRANTY. KEEP THESE INSTRUCTIONS SAFE FOR FUTURE USE.



Refer to Instruction Manual



Wear Ear Protection



Wear a Mask



Wear Protective Gloves



Wear Eye Protection



Warning: Laser Beam

1. SAFETY

1.1. ELECTRICAL SAFETY

WARNING! It is the responsibility of the owner and the operator to read, understand and comply with the following:

You must check all electrical products, before use, to ensure that they are safe. You must inspect power cables, plugs, sockets and any other connectors for wear or damage. You must ensure that the risk of electric shock is minimised by the installation of appropriate safety devices. A Residual Current Circuit Breaker (RCCB) should be incorporated in the main distribution board. We also recommend that a Residual Current Device (RCD) is used. It is particularly important to use an RCD with portable products that are plugged into a supply which is not protected by an RCCB. If in any doubt consult a competent electrician. You may obtain a Residual Current Device by contacting your Sealey dealer.

You must also read and understand the following instructions concerning electrical safety.

1.1.1. The **Electricity at Work Act 1989** requires all portable electrical appliances, if used on business premises, to be tested by a competent electrician, using a Portable Appliance Tester (PAT), at least once a year.

1.1.2. The **Health & Safety at Work Act 1974** makes owners of electrical appliances responsible for the safe condition of those appliances and the safety of the appliance operators. **If in any doubt about electrical safety, contact a competent electrician.**

1.1.3. Ensure that the insulation on all cables and on the appliance is safe before connecting it to the power supply. See 1.1.1. and 1.1.2. and use a Portable Appliance Tester.

1.1.4. Ensure that cables are always protected against short circuit and overload.

1.1.5. Regularly inspect power supply cables and plugs for wear or damage and check all connections to ensure that none is loose.

1.1.6. **Important:** Ensure that the voltage marked on the appliance matches the power supply to be used and that the plug is fitted with the correct fuse - see fuse rating at right.

1.1.7. **DO NOT** pull or carry the appliance by the power cable.

1.1.8. **DO NOT** pull the plug from the socket by the cable.

1.1.9. **DO NOT** use worn or damaged cables, plugs or connectors. Immediately have any faulty item repaired or replaced by a competent electrician. When an ASTA/BS approved UK 3 pin plug is damaged, cut the cable just above the plug and **dispose of the plug safely.**

Fit a new plug according to the following instructions (UK only).

Double insulated products, which are always marked with this symbol , are fitted with live (brown) and neutral (blue) wires only.

a) **Connect the BROWN live wire to the live terminal 'L'.**

b) **Connect the BLUE neutral wire to the neutral terminal 'N'.**

c) **DO NOT** connect either wire to the earth terminal.

d) **After wiring, check that there are no bare wires, that all wires have been correctly connected, that the cable outer insulation extends beyond the cable restraint and that the restraint is tight.**

1.1.10. If an extension reel is used it should be fully unwound before connection. A reel with an RCD fitted is preferred since any appliance plugged into it will be protected. The cable core section is important and should be at least 1.5mm², but to be absolutely sure that the capacity of the reel is suitable for this product and for others which may be used in the other output sockets, we recommend the use of 2.5mm² section cable. If extension reel is to be used outdoors, ensure it is marked for outdoor use.

1.2 GENERAL SAFETY

✓ Familiarise yourself with the applications, limitations and potential hazards of the saw.

WARNING! Disconnect the saw from the mains power before changing accessories, servicing or performing any maintenance.

✓ The machine must only be serviced by a qualified person or service agent. Contact your Sealey dealer for information.

✓ Select a work area suitable for the saw and keep the area clean, tidy and free from unrelated materials. Ensure that there is adequate lighting.

✓ Mount the saw permanently on a supporting surface strong enough to take the weight of the machine and workpiece.

✓ Wood dust can be harmful to health by inhalation and skin contact. Concentrations of small dust particles in the air can form an explosive mixture. Ensure that there is adequate ventilation and that the saw is attached to a dust-extraction unit.

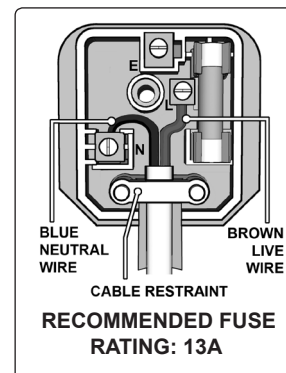
✓ Maintain the saw in good condition, check moving parts alignment regularly. Keep saw blades clean and sharp.

✓ Replace or repair damaged parts. *Use recommended parts only. Unauthorised parts may be dangerous and will invalidate the warranty.*

WARNING! Keep all guards and holding screws in place, tight and in good working order. Check regularly for damaged parts.

A guard, or any other part, that is damaged should be repaired or replaced before the saw is next used. The safety guard is a mandatory fitting where the saw is used in premises covered by the Health & Safety at Work Act.

✓ Before commencing work, ensure the saw blade is set to cut in the correct direction, securely fastened, sharp and is compatible with the machine, spindle speed and the material to be cut. Never use a saw blade if damaged, bent or warped. Use only recommended saw blades.



- ✓ Remove adjusting keys and wrenches from the machine and the vicinity before switching on.
- ✓ Machine operators must have received sufficient training and instructions relating to the dangers associated with the machine, the precautions to be observed and the requirements of the Wood Working Machines Regulations. Operators must be under the adequate supervision of a person who has a thorough knowledge and experience of the machine and the appropriate regulations.
- x **DO NOT** operate the saw if any parts are damaged or missing as this may cause failure and/or personal injury.
- x **DO NOT** operate the saw when you are tired or under the influence of alcohol, drugs or intoxicating medication.
- ✓ When not in use switch off the saw and unplug from the power supply.
- WARNING!** Wear approved safety eye protection, ear defenders and, if dust is generated, respiratory protection.
- ✓ Remove ill fitting clothing. Remove ties, watches, rings and other loose jewellery and contain long hair.
- ✓ Keep hands and body clear of the blade when operating the saw.
- ✓ Maintain correct balance and footing. Ensure the floor is not slippery and wear non-slip shoes.
- ✓ Keep children and unauthorised persons away from the work area.
- ✓ Avoid unintentional starting and never leave the saw operating unattended.
- x **DO NOT** use the saw for a task it is not designed to perform and ensure operators are trained to use the saw.
- x **DO NOT** get the saw wet or use in damp or wet locations or areas where there is condensation.
- x **DO NOT** use the saw where there are flammable liquids, solids or gases such as paint solvents and including waste cleaning rags etc.

1.3 SPECIFIC SAW SAFETY RULES

- ✓ Connect to a suitable extraction system. Failure to do so will result in the build-up of sawdust which could become a fire hazard.
- ✓ Keep blade guard in place and operational.
- WARNING!** Before each use, check that the saw blade is secure and not worn or damaged.
- ✓ Check workpiece to ensure that there are no nails or other items which may foul the saw blade.
- ✓ Clamp the workpiece firmly against the fence.
- ✓ Avoid subjecting the saw blade to excessive strain - never force the blade down. Maintain a controlled, steady progression.
- ✓ Should the saw blade jam, switch the power off immediately to prevent damage to the motor.
- ✓ Provide adequate support to the sides of the saw table for long or wide workpieces.
- ✓ Always use the workpiece clamp provided if at all possible. If the workpiece can only be hand-held take extreme care.
- x **DO NOT** place yourself in an awkward operating position where a slip could cause your hand to move into the cutting blade.
- x **DO NOT** stand, or have any part of your body, in line with the path of the saw blade.
- x **DO NOT** hold what will become the off-cut (the waste part of the workpiece).
- WARNING! DO NOT** put hands anywhere near the blade whilst it is rotating.
- WARNING! DO NOT** attempt to free a jammed saw blade without first switching off or removing the plug from the mains power supply.
- x **DO NOT** attempt to cut round section wood.
- ✓ Store blades in a safe, dry childproof location.



LASER SAFETY. The SMS216 and 255 utilise a Class II laser that emits a low level of visible radiation (i.e. a wavelength of 650 nanometres) which is safe for the skin but not inherently safe for the eyes. The Class II emission limit is set at the maximum level for which eye protection is normally afforded by natural aversion responses to bright light. Accidental eye exposure is therefore normally safe, although the natural aversion response can be overridden by deliberately staring into the beam, and can also be influenced by the use of alcohol or drugs.

- WARNING!** Do not look or stare into the laser beam as permanent eye damage could result.
- x **DO NOT** direct the laser beam at any person's (or animal's) eyes as eye damage could result.
- x **DO NOT** operate the laser level when you are tired or under the influence of alcohol, drugs or intoxicating medication.
- ✓ Be aware that reflections of the laser beam from mirrors or other shiny surfaces can be as hazardous as direct eye exposure.

2. INTRODUCTION

Powerful 1800W motor, Innovative double sliding single bevel mitre saw. Features integral aluminium work piece supports which store inside the aluminium base to save space and prevent loss. Unit is fitted with a 36 or 60 tooth TCT blade (depending on model) for fresh wood, but can be fitted with Model No. SMS216B or SMS255B (depending on model) multipurpose blade for use with mild steel, aluminium, wood with nails and more. Features double slides which can be locked at different lengths allowing greater control over the desired length of cut. Can also provide a max cut of up to 310mm at 0° Bevel. Unit is also fitted with a powerful LED work light and laser guide to help produce accurate cuts. Supplied with work piece clamp, dust extraction bag and is fitted with carrying handle.

3. SPECIFICATION

Model No:	SMS216	SMS255
Motor Power:	1800W	1800W
Supply:	230V	230V
Blade Size:	216 x 30mm.	250 x 30mm
No Load Speed:	5000rpm	4500rpm
Mitre Stop Increments:	0°, 15°, 22.5°, 30°, 45°	0°, 15°, 22.5°, 30°, 45°
Cross Cut (0° Bevel x 0° Table):	65 x 310mm.	85 x 310mm
Mitre Cut (0° Bevel x 45° Table):	65 x 215mm.	85 x 215mm
Bevel Cut (45° Bevel x 45° Table):	38 x 215mm.	50 x 215mm
Dust Extraction Port (ID/OD):	Ø35/Ø43	Ø35/Ø43
Replacement Blades:		
Standard Blade:	SMS216.53	SMS255.53
Multi-Purpose Blade:	SMS216B.	SMS255B

SMS255 Illustrated

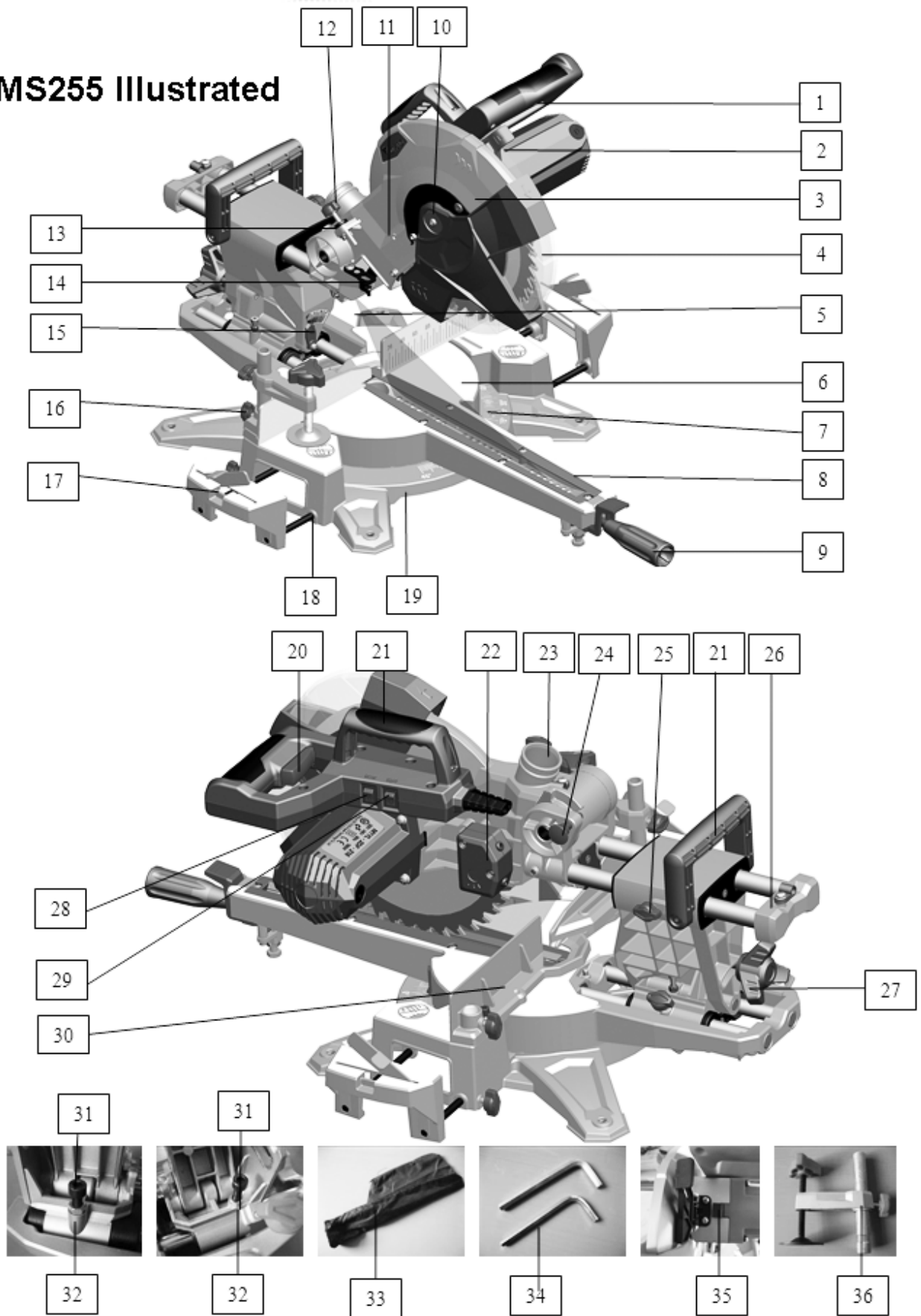


fig.1

1. Machine components

1. Operating handle
2. Release lever for saw blade guard
3. Top safety hood (fixed)
4. Moving safety hood
5. Laser
6. Mitre bench
7. Mitre scale
8. Bench insert (slotted plate)
9. Mitre angle lock
10. Cover for saw blade screws
11. Sawing arm
12. Setting screw for cutting depth
13. Lock nut
14. Depth stop
15. Vertical angle scale
16. Lock screw for clamping device (2x)
17. Side supports (2x)
18. Positioning holes for side supports
19. Saw base
20. ON/OFF switch for machine
21. Carry handle
22. LED light box
23. Connection for dust extractor
24. Release knob
25. Sliding lock
26. Guide rails
27. Vertical angle lock
28. ON/OFF switch for the laser
29. ON/OFF switch for the LED light
30. Fence
31. Bevel adjustment screw
32. Lock nut
33. Dust bag
34. Hexagonal wrench
35. Spindle locking button
36. Clamping device

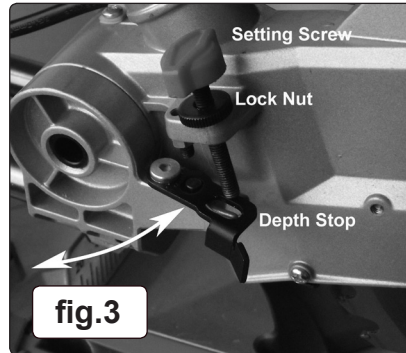
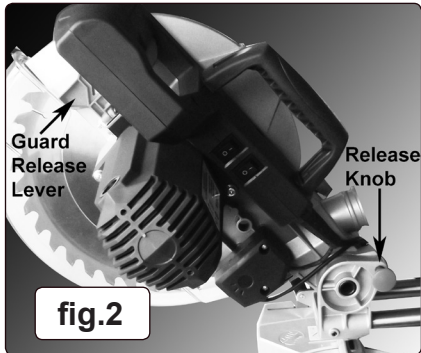
4. ASSEMBLY

- 4.1. Secure the saw to a flat, stable surface by inserting screws through the holes drilled in the machine's feet. The area should be well lit and have sufficient room to use the machine safely.
- 4.2. Unless using with a dust extractor, fit the dust bag (fig.1.33) onto the dust port (fig.1.23). If using dust extraction, use a suitable adaptor to couple the dust port and hose.

5. OPERATION

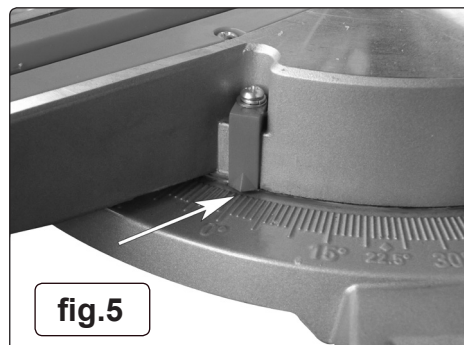
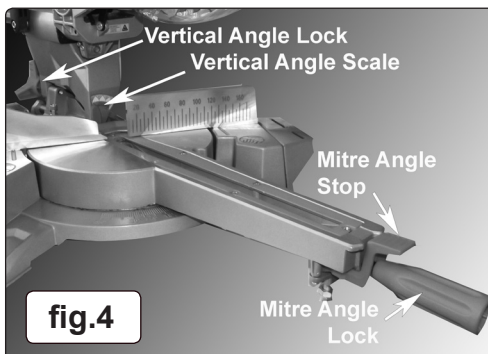
5.1. Blade Lock

- 5.1.1. To raise the blade; pull the release knob (fig.2) and lift the blade.
- 5.1.2. To lower, pull the guard release lever, which will allow the blade to be lowered (fig.2)
- 5.1.3. The blade assembly may be locked down by pushing the release knob in fully. The saw may only be carried with the blade locked down.



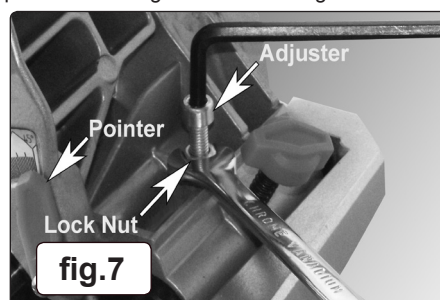
5.2. Depth Stop

- 5.2.1. To activate, swing the depth stop over so the setting screw rests on it (fig.3).
- 5.2.2. Adjust the setting screw until the required cutting depth is achieved and then tighten the lock nut to preserve that setting.
- 5.2.3. To make a full depth cut without losing the depth setting, push the depth stop across so the setting screw passes through it.



5.3. Angle Adjustment

- 5.3.1. **Mitre Angle** (fig.4): The mitre angle can be set by loosening the mitre angle lock.
- 5.3.2. Adjust the angle by depressing the mitre angle stop to release the detent.
- 5.3.3. There are detents set at: 0°, 15°, 22.5°, 30°, 45° and the stop can be set at these angles, applying the lock to secure.
- 5.3.4. The mitre angle can be set at any other angle by reading the angle from the mitre scale and locking in position (fig.5).
- 5.3.5. **Vertical Angle** (fig.4): To adjust the vertical cutting angle, loosen the vertical angle lock and move the head to the required angle, using the vertical angle scale for guidance.
- 5.3.6. To check the vertical angle setting, lower and lock the blade as in section 5.1. Ensure that the pointer is set to zero.
- 5.3.7. Place a square (not supplied) against the blade to determine if the blade is perpendicular to the table (fig.6).
- 5.3.8. If not perpendicular, tilt the head over to reveal the adjuster (fig.7).
- 5.3.9. Loosen the adjuster lock nut and, using a hex key, either raise or lower the adjuster to bring the blade square.
- 5.3.10. When the blade is true, tighten the lock nut.
- 5.3.11. If necessary, loosen the screw securing the pointer and move the pointer to 0°. Tighten the securing screw

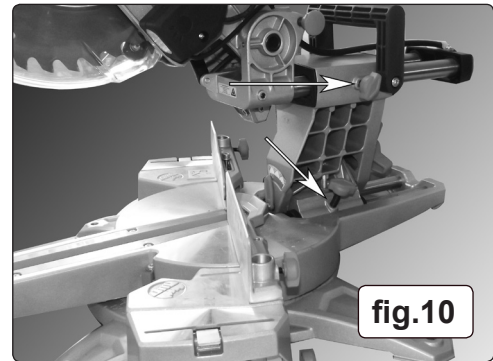
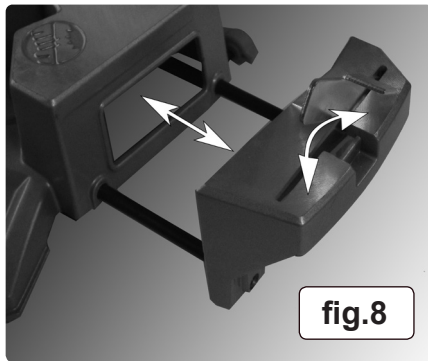


5.4. Side Supports

- 5.4.1. Side Supports (fig.1.17) are provided for both sides of the table. These must be locked in the required position to support long work.
- 5.4.2. Each support is provided with a retractable stop (fig.8).

5.5. Work Clamp

- 5.5.1. The work clamp (fig.1.36) may be fitted to either side of the table by fitting into the holder and securing (fig.9).
- 5.5.2. Screw the clamp down onto the work whenever possible to secure before cutting.



5.6. Laser Guide



The laser cutting guide may be switched on with switch fig.1.28.
DO NOT look into the laser light.

5.7. LED Work Light

The LED work light may be switched on by switch fig.1.29.

5.8. GUIDE RAILS

- 5.8.1. The guide rail travel is provided in two stages. If a limited travel is required, either stage may be locked by tightening the sliding lock (fig.10).
- 5.8.2. For cutting small section work, both rails may be locked so the saw head does not move to and fro.

5.9. CUTTING

- 5.9.1. To start the saw, unlock the blade, as in section 5.1. and depress the operating handle (fig.1.1).
- 5.9.2. When using the sliding function, raise the head and pull forward. Lower the blade through the work and push back slowly to create the cut.
- 5.9.3. When the cut is complete, release the operating handle and wait for the blade to stop before removing the work.

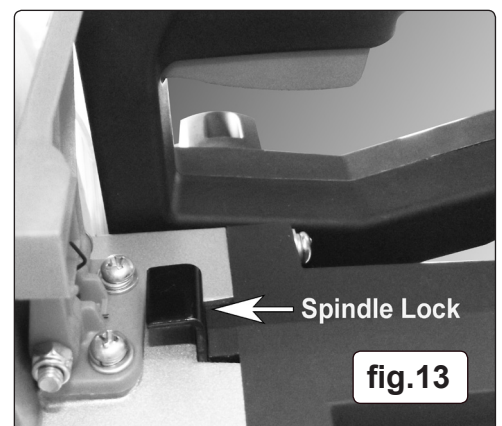
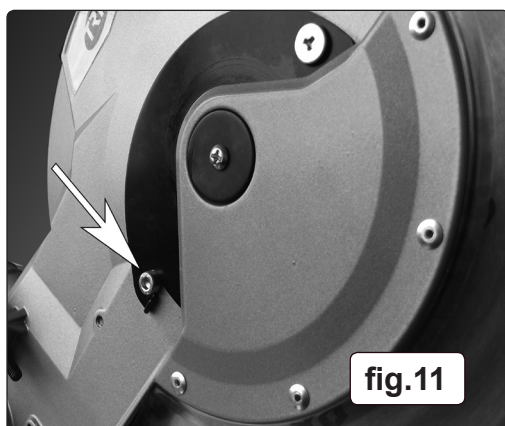
6. MAINTENANCE

6.1. Blade Changing

WARNING: DO NOT use any blade other than those recommended for this machine.

ALWAYS disconnect the machine from the electric supply before attempting any maintenance or cleaning.

- 6.1.1. Lock both sliding locks to stabilise the head.
- 6.1.2. Raise and lock the head.
- 6.1.3. Loosen the hex headed bolt which secures the moving blade guard (fig.11) until the moving guard is released.
- 6.1.4. Pull the guard release lever and lift the moving guard to reveal the blade screw (fig.12).
- 6.1.5. Engage the spindle lock (fig.13) and, using a hex key, undo the bolt holding the saw blade. **NOTE:** This is a left-hand thread.
- 6.1.6. Remove the external washer and blade.
- 6.1.7. Smear the inner faces of the washers with a small amount of oil and mount the new blade on the spindle between the washers.
- 6.1.8. Ensure that the new blade is fitted with direction of rotation matching the arrow on the blade guard.
- 6.1.9. Tighten the blade securing nut and refit the guard, checking that it has full and free movement.
- 6.1.10. Run the machine to check that the blade is true.



6.2. General Maintenance

- 6.1.1. Check all fastenings at regular intervals and tighten if necessary.
- 6.1.2. Pay particular attention to the blade screw, ensuring that the nut is tight.
- 6.1.3. Lubricate the slides lightly at regular intervals.
- 6.1.4. Check that the blade is perpendicular, as in section 5.3., at regular intervals.

6.3. Cleaning

- 6.3.1. Keep the ventilation grilles clear of dust. Clean with a soft brush regularly.
- 6.3.2. Brush sawdust and wood chips from the bed and head regularly.
- 6.3.3. Clean the motor housing with a moist, soapy cloth. **DO NOT** use abrasive or solvent cleaners.

Parts support is available for this product. To obtain a parts listing and/or diagram, please log on to www.sealey.co.uk, email sales@sealey.co.uk or telephone 01284 757500.

Environmental Protection



Recycle unwanted materials instead of disposing of them as waste. All tools, accessories and packaging should be sorted, taken to a recycling centre and disposed of in a manner which is compatible with the environment. When the product becomes completely unserviceable and requires disposal, drain off any fluids (if applicable) into approved containers and dispose of the product and the fluids according to local regulations.

WEEE Regulations



Dispose of this product at the end of its working life in compliance with the EU Directive on Waste Electrical and Electronic Equipment (WEEE). When the product is no longer required, it must be disposed of in an environmentally protective way. Contact your local solid waste authority for recycling information.

NOTE: It is our policy to improve products continually and as such we reserve the right to alter data, specifications and component parts without prior notice.

IMPORTANT: No liability is accepted for incorrect use of this product.

WARRANTY: Guarantee is 12 months from purchase date, proof of which will be required for any claim.



Sole UK Distributor, Sealey Group,
Kempson Way, Suffolk Business Park,
Bury St. Edmunds, Suffolk,
IP32 7AR



01284 757500



01284 703534



www.sealey.co.uk



sales@sealey.co.uk