



HEAVY-DUTY SACK TRUCK WITH PU TYRES 300KG CAPACITY

MODEL NO: **CST990HD**

Thank you for purchasing a Sealey product. Manufactured to a high standard, this product will, if used according to these instructions, and properly maintained, give you years of trouble free performance.

IMPORTANT: PLEASE READ THESE INSTRUCTIONS CAREFULLY. NOTE THE SAFE OPERATIONAL REQUIREMENTS, WARNINGS & CAUTIONS. USE THE PRODUCT CORRECTLY AND WITH CARE FOR THE PURPOSE FOR WHICH IT IS INTENDED. FAILURE TO DO SO MAY CAUSE DAMAGE AND/OR PERSONAL INJURY AND WILL INVALIDATE THE WARRANTY. KEEP THESE INSTRUCTIONS SAFE FOR FUTURE USE.



Refer to
instructions



Wear safety
footwear

1. SAFETY

- ✓ Always load evenly with the centre of gravity of the load as near the centre and rear of the plate as possible.
- ✓ Obtain additional support for large or wide loads to prevent tipping.
- ✗ **DO NOT** overload the truck - see Specification.
- ✗ **DO NOT** leave unattended, especially when loaded, unless the wheels are chocked or the truck is otherwise secured.
- ✗ **DO NOT** use truck on uneven ground and do not run over curbs or steps - use a ramp.
- ✗ **DO NOT** allow others to ride on the truck.
- ✗ **DO NOT** use the truck if any part is damaged, paying particular attention to the wheels.

2. INTRODUCTION

Heavy-duty tubular steel construction with welded joints with 300kg capacity. Puncture proof heavy-duty PU tyres with powder coated steel hubs. Features foldaway toe plate for added extension when transporting larger loads. Three year warranty.

3. SPECIFICATION

Model No: CST990HD
Capacity: 300kg
Height(s): 1220mm
Nett Weight: 14.6kg
Overall Width: 580mm
Platform Depth: 300mm
Wheel Bore Size: Ø20mm
Wheel Size: Ø250mm
Wheel Width: 85mm

4. ASSEMBLY

- 4.1. Wheels. Ensure each axle is clean from dust and dirt to allow free movement of the wheel. You will need to slide the axle through the frame bushes first.
- 4.2. Slide the wheel (fig.2.2) onto the axle (fig.2.1), followed by the washer (fig.2.3) and complete by pushing the split pin (fig.2.4) through the hole in the end of the axle and bending over to retain.
- 4.3. Repeat for the other side.

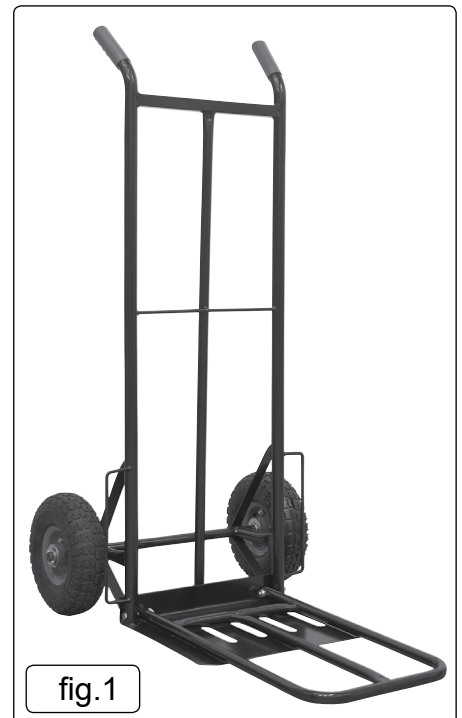


fig.1

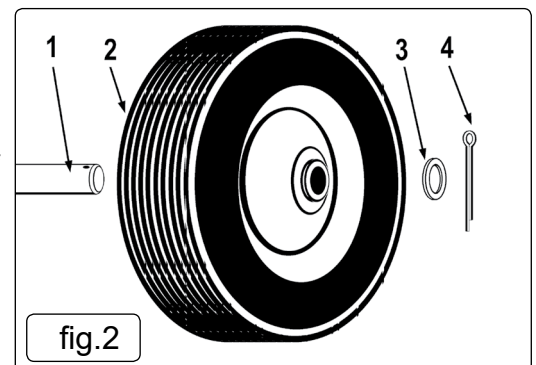


fig.2

Parts support is available for this product. To obtain parts, please log on to www.sealey.co.uk, email sales@sealey.co.uk or telephone 01284 757500



ENVIRONMENT PROTECTION

Recycle unwanted materials instead of disposing of them as waste. All tools, accessories and packaging should be sorted, taken to a recycling centre and disposed of in a manner which is compatible with the environment. When the product becomes completely unserviceable and requires disposal, drain any fluids (if applicable) into approved containers and dispose of the product and fluids according to local regulations.

Note: It is our policy to continually improve products and as such we reserve the right to alter data, specifications and component parts without prior notice.

Important: No Liability is accepted for incorrect use of this product.

Warranty: Guarantee is 36 months from purchase date, proof of which is required for any claim.

Sealey Group, Kempson Way, Suffolk Business Park, Bury St Edmunds, Suffolk. IP32 7AR



01284 757500



01284 703534



sales@sealey.co.uk



www.sealey.co.uk