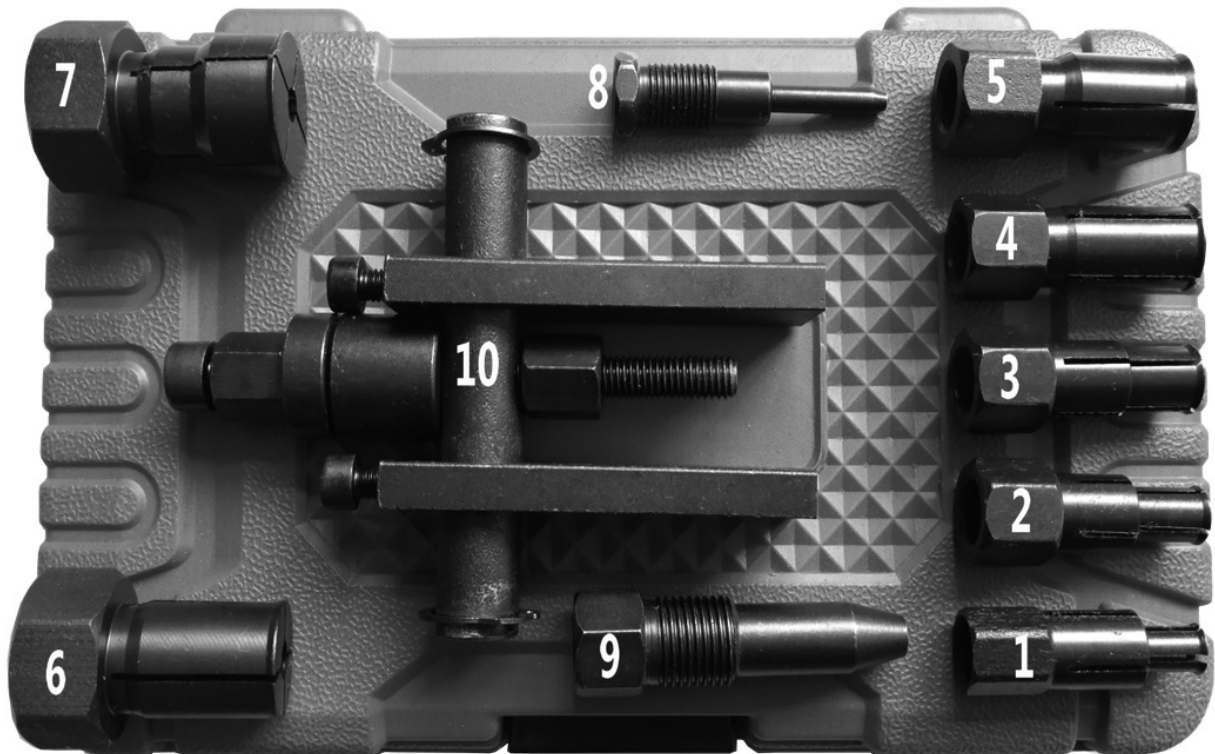




Parts Information:
Bridge Bearing Puller Set 10pc
Model No: AK7160



| Item | Part No. | Description |
|------|-----------|--------------------------|
| 1 | AK7160.01 | Collet 8-9.5mm (Short) |
| 2 | AK7160.02 | Collet 10-11mm (Short) |
| 3 | AK7160.03 | Collet 12-13.5mm (Short) |
| 4 | AK7160.04 | Collet 15-16mm (Short) |
| 5 | AK7160.05 | Collet 17-18.5mm (Short) |
| 6 | AK7160.06 | Collet 30-32mm (Short) |

| Item | Part No. | Description |
|------|-----------|--------------------------|
| 7 | AK7160.07 | Collet 32-33.5mm (Short) |
| 8 | AK7160.08 | Drive Pin |
| 9 | AK7160.09 | Drive Pin 13mm |
| 10 | AK7160.10 | Puller Assembly |
| 11 | AK7160.11 | Blow Mould Case |

NOTE: It is our policy to continually improve products and as such we reserve the right to alter data, specifications and component parts without prior notice. There may be alternative versions of this product, please contact us should you require this information.

IMPORTANT: No liability is accepted for incorrect use of product. Spare parts must be fitted by a competent person

WARRANTY: Guarantee is 12 months from purchase date, proof of which will be required for any claim.

Sealey Group, Kempson Way, Suffolk Business Park, Bury St Edmunds, Suffolk. IP32 7AR



01284 757500



01284 703534



sales@sealey.co.uk



www.sealey.co.uk