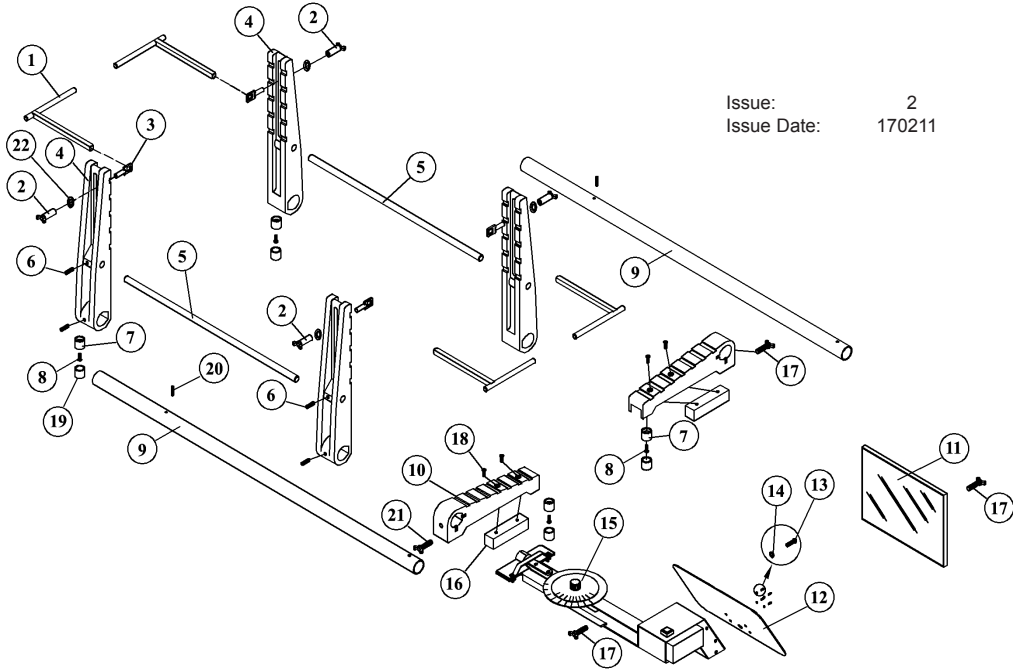


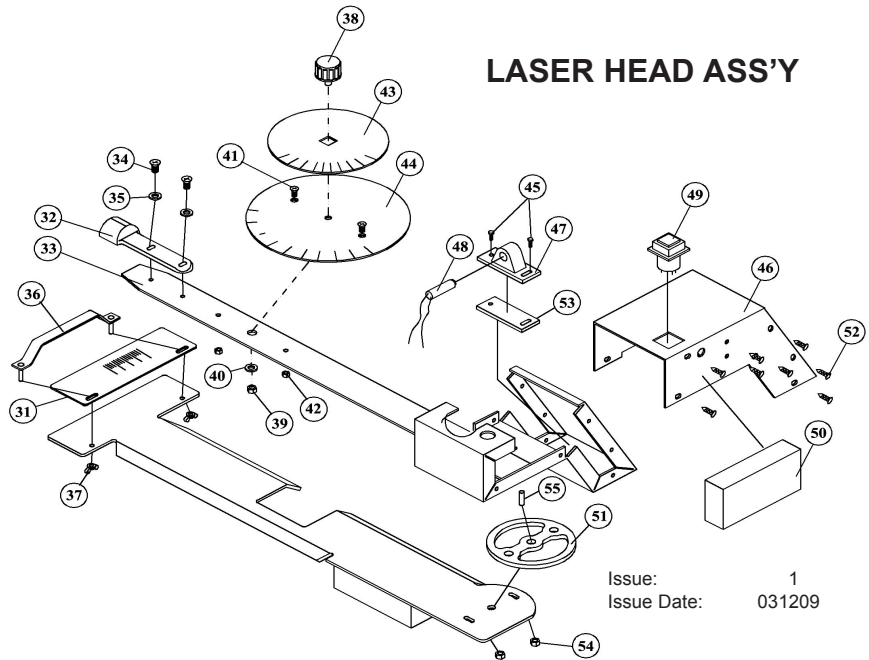
PARTS FOR: LASER WHEEL ALIGNMENT GAUGE MODEL: GA50.V3



Issue: 2
Issue Date: 170211

| ITEM | PART NO | DESCRIPTION | ITEM | PART NO | DESCRIPTION |
|------|--------------|------------------------------------|------|--------------|----------------------------------|
| 1 | GA50.V3-01 | CONTACT BAR | -- | GA50.V3-11.M | MIRROR INSTALL BOARD (not shown) |
| 2 | GA50.V3-02 | THUMB SCREW (M8) | 12 | GA50.V3-12 | TARGET PLATE |
| 3 | GA50.V3-03 | LOCK ASS'Y | 13 | GA50.V3-13 | SCREW (M4x12) |
| 4 | GA50.V3-04 | SUPPORT ARM | 14 | GA50.V3-14 | WASHER |
| 5 | GA50.V3-05 | CONNECTING BAR | 15 | GA50.V3-15 | LASER ASS'Y |
| 6 | GA50.V3-06 | SCREW (M8x10) | 16 | GA50.V3-16 | COUNTER BALANCER |
| 7 | GA50.V3-07 | BUSHING | 17 | GA50.V3-17 | THUMB SCREW (M8x30) |
| 8 | GA50.V3-08 | BOLT (M8x25) | 18 | GA50.V3-18 | SCREW (M5x16) |
| 9 | GA50.V3-09 | MAIN BAR | 19 | GA50.V3-19 | RUBBER COVER |
| 10 | GA50.V3-10 | SUPPORT FOOT | 20 | GA50.V3-20 | SPRING PIN (4x20) |
| 11 | GA50.V3-11 | MIRROR | 21 | GA50.V3-21 | THUMB SCREW (M8x15) |
| -- | GA50.V3-11.C | MIRROR CLAMPING SPRING (not shown) | 22 | GA50.V3-22 | WASHER |

| ITEM | PART NO | DESCRIPTION |
|------|------------|------------------------------|
| 31 | GA50.V3-31 | SCALE PLATE |
| 32 | GA50.V3-32 | LENS |
| 33 | GA50.V3-33 | POINTER ARM ASS'Y |
| 34 | GA50.V3-34 | SCREW (M3x8) |
| 35 | GA50.V3-35 | WASHER |
| 36 | GA50.V3-36 | GUIDE STRIP |
| 37 | GA50.V3-37 | WING NUT (M3) |
| 38 | GA50.V3-38 | KNOB |
| 39 | GA50.V3-39 | LOCK NUT (M5) |
| 40 | GA50.V3-40 | WASHER |
| 41 | GA50.V3-41 | SCREW (M3x8) |
| 42 | GA50.V3-42 | NUT (M3) |
| 43 | GA50.V3-43 | TOP DIAL |
| 44 | GA50.V3-44 | LOWER DIAL |
| 45 | GA50.V3-45 | SCREW (M4x10) |
| 46 | GA50.V3-46 | COVER |
| 47 | GA50.V3-47 | LENS HOLDER |
| 48 | GA50.V3-48 | LASER UNIT |
| 49 | GA50.V3-49 | SWITCH ASS'Y |
| 50 | GA50.V3-50 | BATTERY BOX |
| 51 | GA50.V3-51 | CONNECTING PLATE |
| 52 | GA50.V3-52 | SELF TAPPING SCREW (3.5x9.5) |
| 53 | GA50.V3-53 | ADJUSTING PLATE |
| 54 | GA50.V3-54 | LOCK NUT (M4) |
| 55 | GA50.V3-55 | SPRING PIN (6x24) |



LASER HEAD ASS'Y

Issue: 1
Issue Date: 031209

NOTE: It is our policy to continually improve products and as such we reserve the right to alter data, specifications and component parts without prior notice.

IMPORTANT: No liability is accepted for incorrect use of product.

WARRANTY: Guarantee is 12 months from purchase date, proof of which will be required for any claim.

INFORMATION: For a copy of our latest catalogue and promotions call us on 01284 757525 and leave your full name and address, including postcode.