



PLASMA CUTTING TABLE/WORKBENCH

MODEL NO: **PCT1**

Thank you for purchasing a Sealey product. Manufactured to a high standard, this product will, if used according to these instructions, and properly maintained, give you years of trouble free performance.

IMPORTANT: PLEASE READ THESE INSTRUCTIONS CAREFULLY. NOTE THE SAFE OPERATIONAL REQUIREMENTS, WARNINGS & CAUTIONS. USE THE PRODUCT CORRECTLY AND WITH CARE FOR THE PURPOSE FOR WHICH IT IS INTENDED. FAILURE TO DO SO MAY CAUSE DAMAGE AND/OR PERSONAL INJURY AND WILL INVALIDATE THE WARRANTY. KEEP THESE INSTRUCTIONS SAFE FOR FUTURE USE.



Refer to instructions



Wear protective gloves



Wear safety footwear

1. SAFETY

- WARNING! Ensure Health & Safety, and local authority regulations are adhered to when assembling and using the workbench.**
- ✓ Locate workbench in a suitable area where it will not be an obstruction.
- ✓ Keep the general area clean, uncluttered and ensure there is adequate lighting.
- WARNING! Erect unit on a level and solid surface such as concrete.**
- ✓ Keep children and unauthorised persons away from the work area.
- ✗ **DO NOT** use the unit for any purpose other than that for which it is designed.
- ✗ **DO NOT** clean the unit with any solvents which may damage the surfaces.
- ✓ Ensure that the unit is properly and securely assembled before use.

2. INTRODUCTION

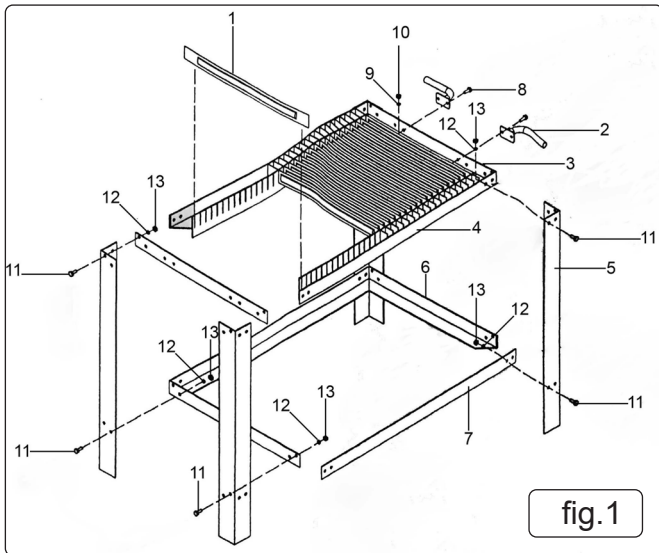
Mild steel plasma cutting table/workbench. 32 Replaceable cutting slats, order Model No. PCT1RS for a pack of 10 replacements. Removable side handles/cable tidy hanging hooks. Supplied flat packed for easy self assembly using hand tools (not provided). Supports weight capacity of 113kg.

3. SPECIFICATION

Model No.:PCT1
 Max. weight capacity.....113 kg
 Assembled dimensions (W x D x H).... 1065 x 600 x 812 mm
 Bench dimensions.....920 x 600 mm
 Replacement parts: Slats (pack of 10)PCT1RS

4. CONTENTS





Item	Part no.	Description
1	PCT1RS	Replacement slats (Pack of 10)
2	PCT1.02	Removable side handle
3	PCT1.03	Main beam, short
4	PCT1.04	Main beam, long
5	PCT1.05	Table leg
6	PCT1.06	Support beam, short
7	PCT1.07	Support beam, long
8	SS1025.S	Hx Hd Set Screw M10 x 25 mm
9	SWM10.S	Spring washer M10
10	SN10.S	Steel nut M10
11	SS825.S	Hx Hd Set Screw M8 x 25 mm
12	SWM8.S	Spring washer M8
13	SN8.S	Steel nut M8

5. ASSEMBLY

NOTE: It is recommended that two people are used to assemble this item.

NOTE: DO NOT fully tighten fixings until all are in place.

- 5.1. Assemble main beams (fig1.3, fig.1.4) to the table legs (fig1.5) using fixings (fig1.11, 1.12, 1.13). Note positioning of main beams (see fig1).
- 5.2. Assemble support beams (fig1.6, fig.1.7) to the table legs (fig1.5) using fixings (fig1.11, 1.12, 1.13). Note positioning of support beams (see fig1).
- 5.3. Fix side handles (fig1.2) using fixings (fig1.8, 1.9, 1.10).
- 5.4. Load slats (fig1.1) into top frame.
- 5.5. Tighten all fixings and ensure the structure is sound, stable and capable of safely carrying a load of up to 113 kg.

6. MAINTENANCE

- 6.1. Clean regularly using non-abrasive cleaner and a damp cloth.
- 6.2. Before each use check all parts and the integrity of the structure. If damaged or suspect, remove from service and take necessary action to correct.

Parts support is available for this product. Please email sales@sealey.co.uk or telephone 01284 757500



ENVIRONMENT PROTECTION

Recycle unwanted materials instead of disposing of them as waste. All tools, accessories and packaging should be sorted, taken to a recycling centre and disposed of in a manner which is compatible with the environment. When the product becomes completely unserviceable and requires disposal, drain any fluids (if applicable) into approved containers and dispose of the product and fluids according to local regulations.

Note: It is our policy to continually improve products and as such we reserve the right to alter data, specifications and component parts without prior notice.

Important: No Liability is accepted for incorrect use of this product.

Warranty: Guarantee is 12 months from purchase date, proof of which is required for any claim.

Sealey Group, Kempson Way, Suffolk Business Park, Bury St Edmunds, Suffolk. IP32 7AR



01284 757500



01284 703534



sales@sealey.co.uk



www.sealey.co.uk