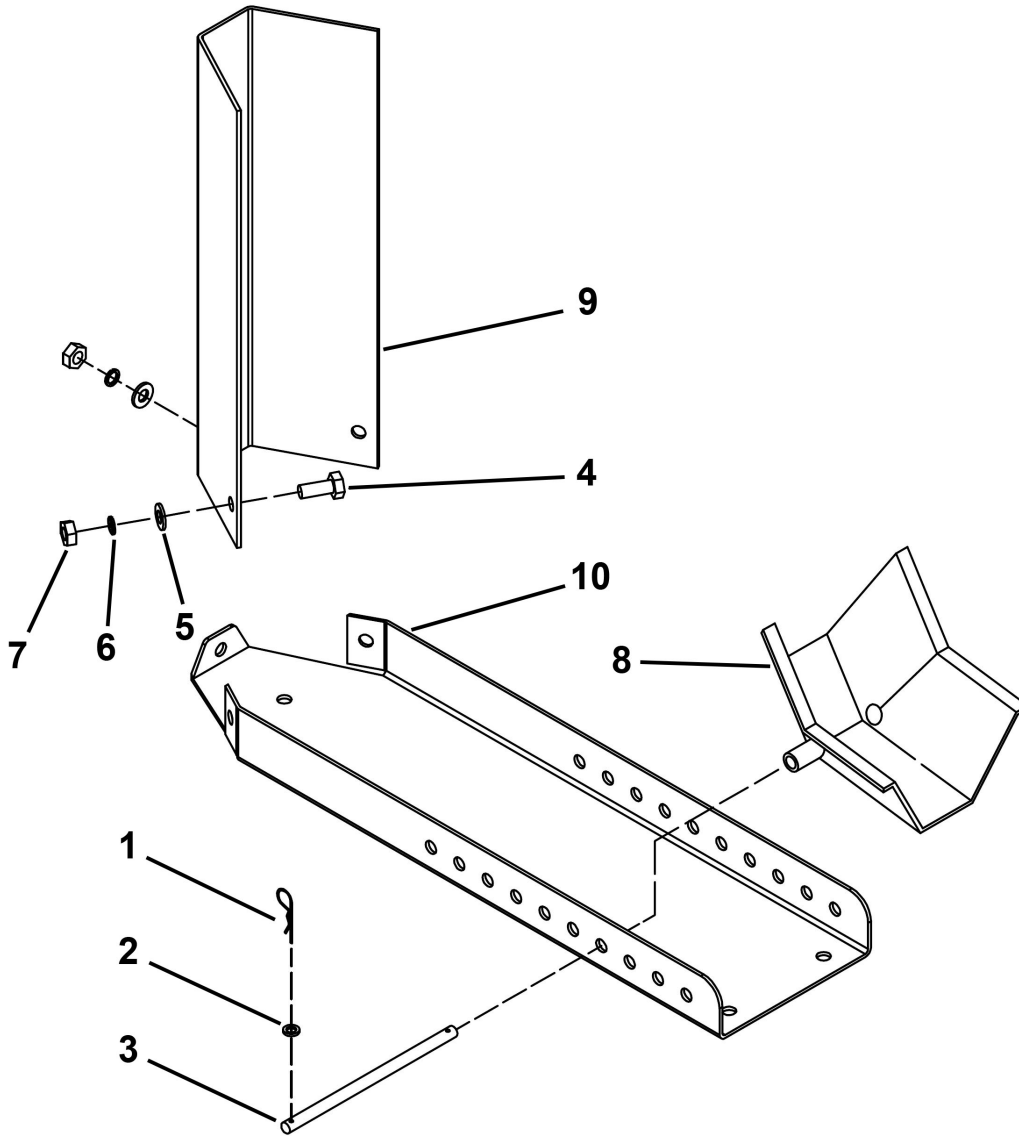




Parts Information:
Motorcycle Roll-in Wheel Clamp - Bolt Down
Model No: WCR02



Item	Part No.	Description
1	WCR02.01	R-Pin
2	FWM12.S	Flat Washer M12 Zinc
3	WCR02.03	Pivot Clamp Pin
4	SS1025.S	Hex Head Set Screw M10 X 25 Zinc
5	FWM10.S	Flat Washer M10 Zinc

Item	Part No.	Description
6	SWM10.S	Spring Washer M10 Zinc
7	SN10.S	Steel Nut M10 Zinc
8	WCR02.08	Pivot Clamp
9	WCR02.09	Upper Support
10	WCR02.10	Base

NOTE: It is our policy to continually improve products and as such we reserve the right to alter data, specifications and component parts without prior notice. There may be alternative versions of this product, please contact us should you require this information.

IMPORTANT: No liability is accepted for incorrect use of product. Spare parts must be fitted by a competent person

WARRANTY: Guarantee is 12 months from purchase date, proof of which will be required for any claim.

Sealey Group, Kempson Way, Suffolk Business Park, Bury St Edmunds, Suffolk. IP32 7AR



01284 757500



01284 703534



sales@sealey.co.uk



www.sealey.co.uk