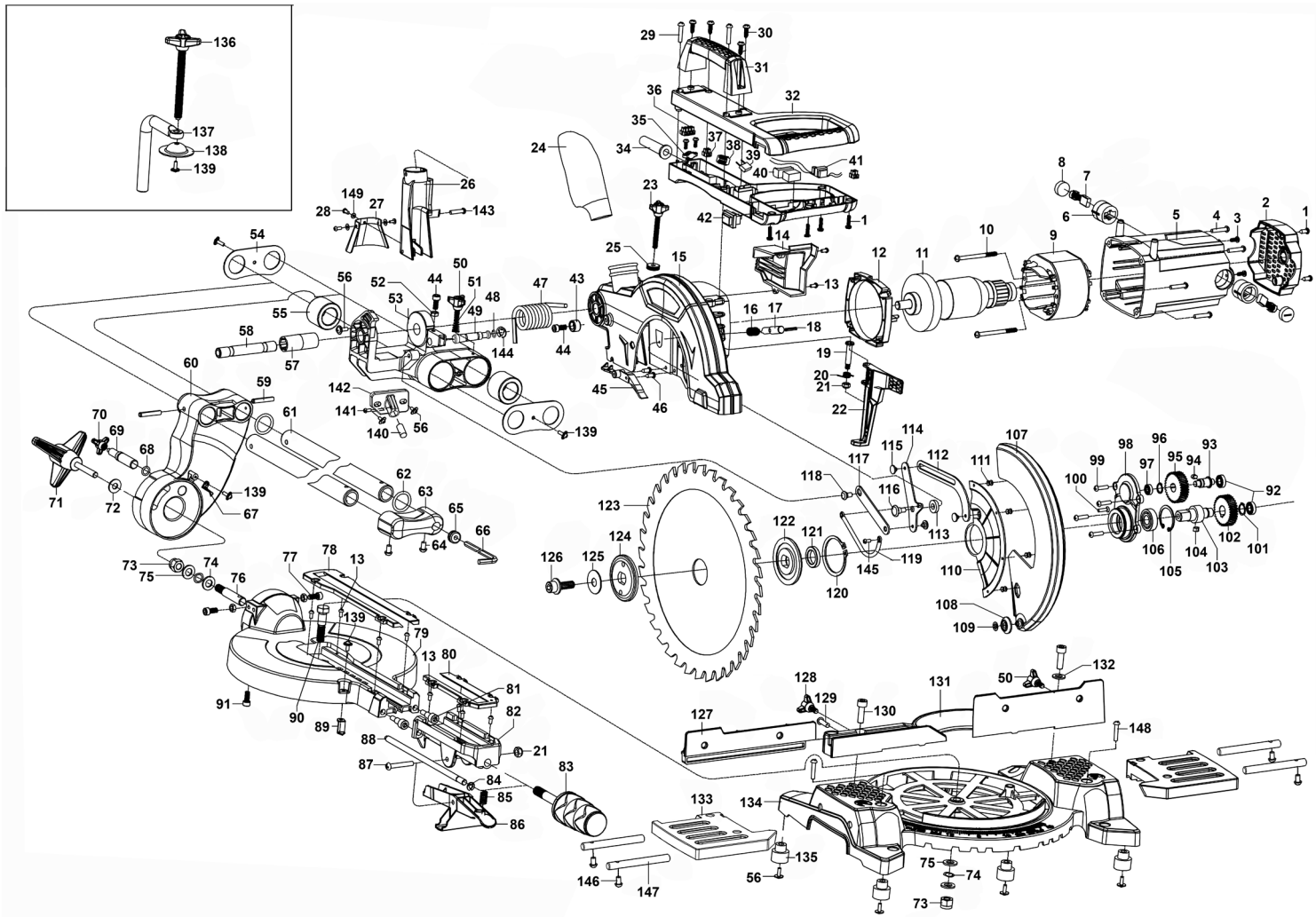




# Parts Information: Double Sliding Compound Mitre Saw 250mm Model No: SMS255.V2



**NOTE:** It is our policy to continually improve products and as such we reserve the right to alter data, specifications and component parts without prior notice.

There may be alternative versions of this product, please contact us should you require this information.

**IMPORTANT:** No liability is accepted for incorrect use of product. Spare parts must be fitted by a competent person

**WARRANTY:** Guarantee is 12 months from purchase date, proof of which will be required for any claim.

Sealey Group, Kempson Way, Suffolk Business Park, Bury St Edmunds, Suffolk. IP32 7AR



01284 757500



01284 703534



sales@sealey.co.uk



www.sealey.co.uk



Parts Information:  
**Product description if required**  
**Model No: SMS255.V2**

Item	Part No.	Description
1	SMS255.V2-01	Self-Tapping Screw ST4x16
2	SMS255.V2-02	Rear Cover
3	SMS255.V2-03	Screw M4x12
4	SMS255.V2-04	Screw M5x25
5	SMS255.V2-05	Rear Housing
6	SMS255.V2-06	Carbon Brush Holder
7	SMS255.V2-07	Carbon Brush
8	SMS255.V2-08	Carbon Brush Cover
9	SMS255.V2-09	Stator
10	SMS255.V2-10	Self-Tapping Screw ST6x65
11	SMS255.V2-11	Rotor
12	SMS255.V2-12	Wind Guide
13	MSP48.S	Machine Screw Pan Head Phillips M4 X 8 mm
14	SMS255.V2-14	Protection Cover
15	SMS255.V2-15	Frame
16	SMS255.V2-16	Spindle Lock Spring
17	SMS255.V2-17	Spindle Self-Locking Shaft
18	SMS255.V2-18	Spring Pin 4 x 28
19	SMS255.V2-19	Self-Lock Wrench Screw
20	SMS255.V2-20	Self-Lock Wrench Torsion Spring
21	NLN6.S	Nyloc Nut M6 Zinc
22	SMS255.V2-22	Motor Lock Bar
23	SMS255.V2-23	Depth Adjustment Knob
24	SMS255.V2-24	Dust Collection Bag
25	SMS255.V2-25	Depth Adjustment Nut
26	SMS255.V2-26	Dust Chute
27	SMS255.V2-27	Guide Plate for Dust Chute
28	SMS255.V2-28	Self-Tapping Screw ST4x8
29	MSP530.S	Machine Screw Pan Head Phillips M5 X 30mm
30	SMS255.V2-30	Self-Tapping Screw ST5x16
31	SMS255.V2-31	Carry Handle
32	SMS255.V2-32	Upper/Lower Handle
34	SMS255.V2-34	Cable Sleeve
35	SMS255.V2-35	Cable Grip
36	SMS255.V2-36	Terminal Block
37	SMS255.V2-37	Terminal Block
38	SMS255.V2-38	Inductance
39	SMS255.V2-39	Capacitor
40	SMS255.V2-40	Switch
41	SMS255.V2-41	Transformer
42	SMS255.V2-42	Laser Switch
43	SMS255.V2-43	Laser Switch Cap
44	SCB616.SB	Socket Cap Bolt M6 x 16mm Black

Item	Part No.	Description
45	SMS255.V2-45	Tension Spring Plate
46	SMS255.V2-46	Self-Tapping Screw ST4x16
47	SMS255.V2-47	Torsion Spring
48	SMS255.V2-48	O-ring Ø10 x 1.9mm
49	SMS255.V2-49	Frame Limit Pin
50	SMS255.V2-50	Clamp Knob Spring
51	SMS255.V2-51	Clamp Knob Spring
52	SN6.S	Steel Nut M6 Zinc
53	SMS255.V2-53	Sliding Seat (Back)
54	SMS255.V2-54	Sliding Seat Cover
55	SMS255.V2-55	Roller Bearing Sleeve
56	MSP412.S	Machine Screw Pan Head Phillips M4 X 12mm
57	SMS255.V2-57	Torsional Spring Bushing
58	SMS255.V2-58	Sliding Bar (Long)
59	SMS255.V2-59	Spring Pin 6 x 45
60	SMS255.V2-60	Pivot Arm
61	SMS255.V2-61	Pivot Rod
62	SMS255.V2-62	O-ring Ø 23.6 x 2.65mm
63	SMS255.V2-63	Sliding Seat (Front)
64	MSP614.S	Machine Screw Pan Head Phillips M6 X 14mm
65	SMS255.V2-65	Sliding Seat Bung
66	SMS255.V2-66	Hex Wrench
67	SMS255.V2-67	Pointer for Pivot Arm
68	SMS255.V2-68	O-ring Ø 13 x 1.9mm
69	SMS255.V2-69	Angle Limit Pin
70	SMS255.V2-70	Angle Limit Pin Knob
71	SMS255.V2-71	Pivot Arm Handwheel
72	FWM10.S	Flat Washer M10 Zinc
73	NLN10.S	Nyloc Nut M10 Zinc
74	SMS255.V2-74	Seal
75	SMS255.V2-75	Felt Gasket
76	SMS255.V2-76	Shaft for Pivot Arm
77	SCB635.S	Socket Cap Bolt M6 x 35mm
78	SMS255.V2-78	Turntable Insert (A)
79	SMS255.V2-79	Base Cover
80	SMS255.V2-80	Turntable Insert (B)
81	SMS255.V2-81	Extend Connecting Screw
82	SMS255.V2-82	Extension for Base
83	SMS255.V2-83	Directional Handle for Base
84	SMS255.V2-84	E-Ring 6mm
85	SMS255.V2-85	Set Spring for Base Wrench
86	SMS255.V2-86	Position Wrench
87	SMS255.V2-87	Set Wrench Screw

**NOTE:** It is our policy to continually improve products and as such we reserve the right to alter data, specifications and component parts without prior notice. There may be alternative versions of this product, please contact us should you require this information.

**IMPORTANT:** No liability is accepted for incorrect use of product. Spare parts must be fitted by a competent person

**WARRANTY:** Guarantee is 12 months from purchase date, proof of which will be required for any claim.

**Sealey Group**, Kempson Way, Suffolk Business Park, Bury St Edmunds, Suffolk. IP32 7AR



01284 757500



01284 703534



sales@sealey.co.uk



www.sealey.co.uk



Parts Information:  
Product description if required  
Model No: SMS255.V2

Item	Part No.	Description
88	SMS255.V2-88	Base Locking Rod
89	SMS255.V2-89	Pointer for Base
90	SMS255.V2-90	Hex Head Bolt M10x45
91	SCB622.SB	Socket Cap Bolt M6 x 22mm Black
92	B/609ZZ	Bearing 609zz
93	SMS255.V2-93	Output Spindle
94	SMS255.V2-94	Flat Key (4x4x8)
95	SMS255.V2-95	Middle Gear
96	SMS255.V2-96	External Circlip 12mm
97	B/608ZZ	Bearing 608zz
98	SMS255.V2-98	Bearing Seat
99	MSP520.S	Machine Screw Pan Head Phillips M5 X 20mm
100	MSP416.S	Machine Screw Pan Head Phillips M4 x 16mm
101	SMS255.V2-101	External Circlip 14mm
102	SMS255.V2-102	Gear (Large)
103	SMS255.V2-103	Main Shaft
104	SMS255.V2-104	Flat Key (5x5x10)
105	SMS255.V2-105	Internal Circlip 35mm
106	B/6003ZZ	Bearing 6003zz
107	SMS255.V2-107	Lower Guard Protection Cover
108	SMS255.V2-108	Protection Cover Roller
109	SMS255.V2-109	Star Washer Ø5
110	SMS255.V2-110	Removable Cover Connection Plate
111	SMS255.V2-111	Rivet 3x6
112	SMS255.V2-112	Connecting Rod (Upper)
113	SMS255.V2-113	Seal for Middle Connecting Rod
114	SMS255.V2-114	Connecting Rod (Middle)
115	SMS255.V2-115	Connecting Rod Pin
116	SMS255.V2-116	Connecting Rod Pin
117	SMS255.V2-117	Connecting Rod (Lower)
118	SMS255.V2-118	Lower Connecting Rod Screw

Item	Part No.	Description
119	SMS255.V2-119	Protective Cover Tension Spring
120	SMS255.V2-120	External Circlip 42mm
121	SMS255.V2-121	Blade Ring
122	SMS255.V2-122	Blade Flange (Inner)
123	SMS255.V2-123	Blade Ø255 x 3.2 x Ø30mm
124	SMS255.V2-124	Blade Flange (Outer)
125	SMS255.V2-125	Blade Flange Washer
126	SMS255.V2-126	Blade Screw M8x16 (L/H)
127	SMS255.V2-127	Moveable Scale
128	SMS255.V2-128	Adjustment Knob
129	MSP618.S	Machine Screw Pan Head Phillips M6 x 18mm
130	SCB825.S	Socket Cap Bolt M8 x 25mm
131	SMS255.V2-131	Fence
132	FWM8.S	Flat Washer M8 Zinc
133	SMS255.V2-133	Extension Plate (Left/Right)
134	SMS255.V2-134	Base
135	SMS255.V2-135	Rubber Foot
136	SMS255.V2-136	Workclamp Handwheel
137	SMS255.V2-137	Clamping Pin (L-Shanpe)
138	SMS255.V2-138	Clamping Plate
139	SMS255.V2-139	Screw M4x10
140	SMS255.V2-140	Laser Assembly
141	SMS255.V2-141	Self-Tapping Screw ST3x6
142	SMS255.V2-142	Laser Mount (Rear)
143	SMS255.V2-143	Self-Tapping Screw ST4x25
144	SMS255.V2-144	E-Ring 8mm
145	MSP36.S	Machine Screw Pan Head Phillips M3 X 6mm
146	MSP512.S	Machine Screw Pan Head Phillips M5 X 12mm
147	SMS255.V2-147	Extension Plate Support Rod
148	MSP616.S	Machine Screw Pan Head Phillips M6 X 16mm
149	FWM4.S	Flat Washer M4

**NOTE:** It is our policy to continually improve products and as such we reserve the right to alter data, specifications and component parts without prior notice. There may be alternative versions of this product, please contact us should you require this information.

**IMPORTANT:** No liability is accepted for incorrect use of product. Spare parts must be fitted by a competent person

**WARRANTY:** Guarantee is 12 months from purchase date, proof of which will be required for any claim.

Sealey Group, Kempson Way, Suffolk Business Park, Bury St Edmunds, Suffolk. IP32 7AR



01284 757500



01284 703534



sales@sealey.co.uk



www.sealey.co.uk