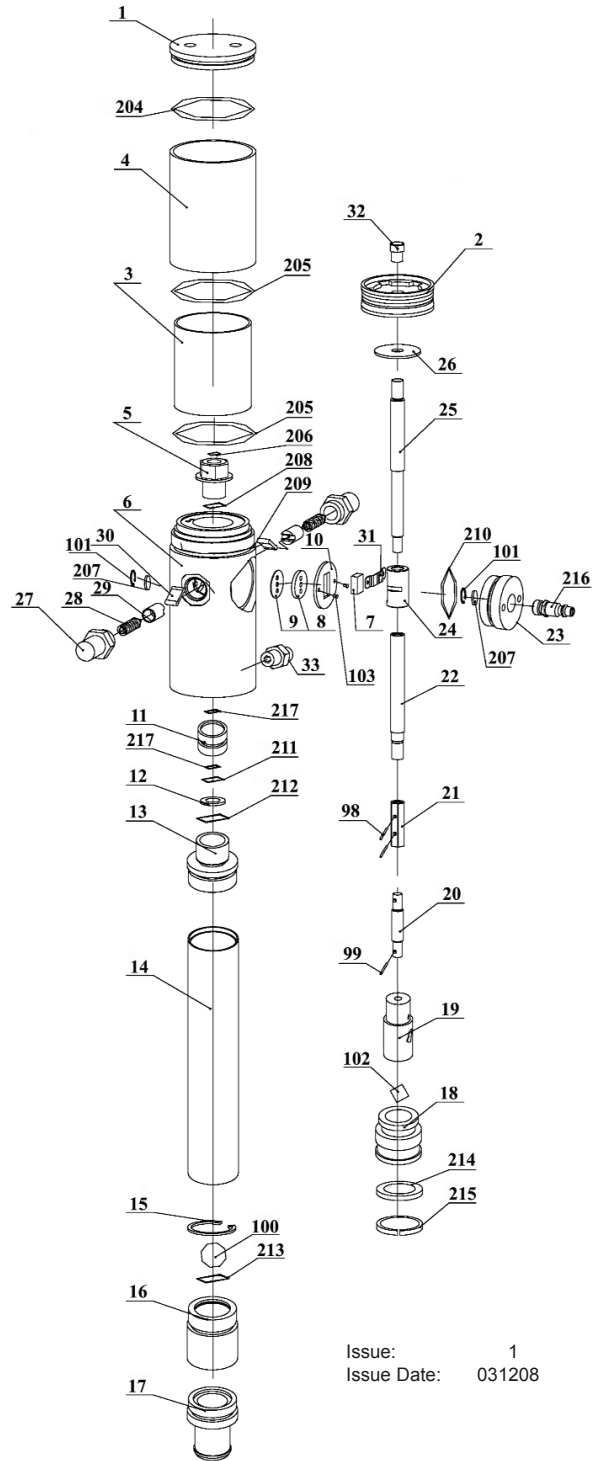


ITEM	PART NO	DESCRIPTION
1	AK4560D.01	AIR MOTOR COVER
2	AK4560D.02	PISTON
3	AK4560D.03	AIR MOTOR SHELL INNER
4	AK4560D.04	AIR MOTOR SHELL OUTER
5	AK4560D.05	BRACKET
6	AK4560D.06	AIR CONTROL CENTRE
7	AK4560D.07	SLIDER
8	AK4560D.08	GASKET
9	AK4560D.09	SOFT GASKET
10	AK4560D.10	SECURING WASHER
11	AK4560D.11	BRACKET
12	AK4560D.12	WASHER
13	AK4560D.13	CONNECT TUBE
14	AK4560D.14	SUCTION TUBE (940mm)
15	AK4560D.15	SPRING CIRCLIP
16	AK4560D.16	VALVE SEAT
17	AK4560D.17	FILTER
18	AK4560D.18	PISTON
19	AK4560D.19	CONNECTING SHELL
20	AK4560D.20	CONNECT SHAFT
21	AK4560D.21	CONNECT SHELL
22	AK4560D.22	MIDDLE SHAFT
23	AK4560D.23	AIR CENTRE COVER
24	AK4560D.24	SLIDER SHELL
25	AK4560D.25	PISTON SHAFT
26	AK4560D.26	WASHER
27	AK4560D.27	SPRING SHELL
28	AK4560D.28	SPRING
29	AK4560D.29	SPRING SEAT
30	AK4560D.30	TRIP SHOE GUIDE
31	AK4560D.31	PRESS PIECE
32	AK4560D.32	NUT
33	AK4560D.33	OUTLET
98	AK4560D.98	PIN
99	AK4560D.99	PIN
100	AK4560D.100	BALL
101	AK4560D.101	SMALL CIRCLIP
102	AK4560D.102	BALL
103	AK4560D.103	SCREW
204	AK4560D.204	O-RING
205	AK4560D.205	O-RING
206	AK4560D.206	O-RING
207	AK4560D.207	SILENCER
208	AK4560D.208	O-RING
209	AK4560D.209	O-RING
210	AK4560D.210	O-RING
211	AK4560D.211	O-RING
212	AK4560D.212	O-RING
213	AK4560D.213	O-RING
214	AK4560D.214	U SEAL
215	AK4560D.215	GUIDING
216	AK4560D.216	QUICK COUPLING
217	AK4560D.217	OD SEAL



Issue: 1
 Issue Date: 031208

NOTE: It is our policy to continually improve products and as such we reserve the right to alter data, specifications and component parts without prior notice.

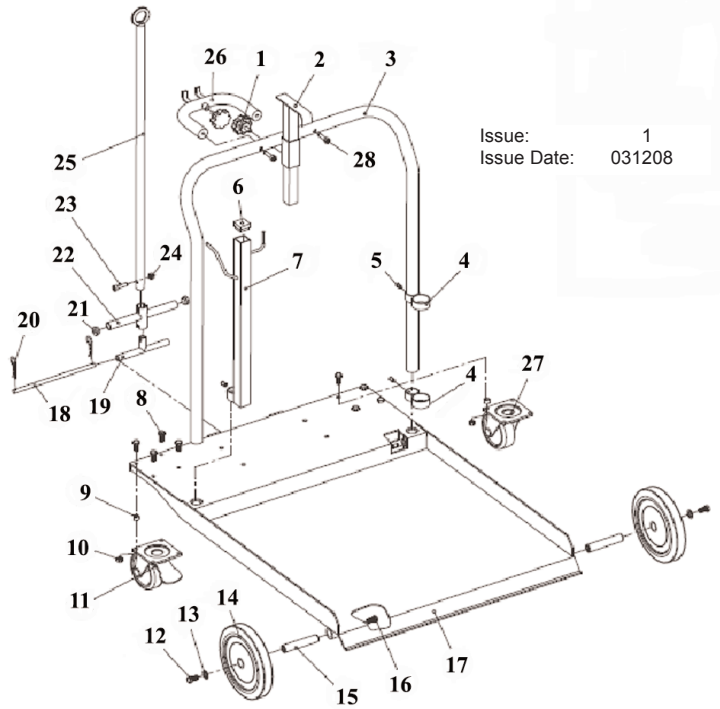
IMPORTANT: No liability is accepted for incorrect use of product.

WARRANTY: Guarantee is 12 months from purchase date, proof of which will be required for any claim.

INFORMATION: For a copy of our latest catalogue and promotions call us on 01284 757525 and leave your full name and address, including postcode.

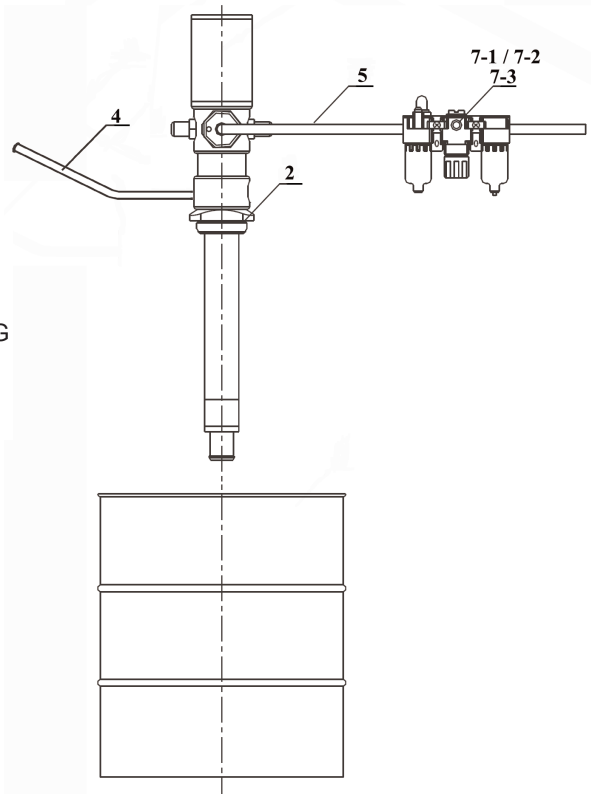
PARTS FOR:
**OIL DISPENSING SYSTEM AIR OPERATED WITH
 10mtr HOSE REEL**
 MODEL: **AK4562D**

ITEM	PART NO	DESCRIPTION
1	AK4562D.01	ACCESSORIES
2	AK4562D.02	DRUM HOLDER SUPPORT
3	AK4562D.03	HANDLE
4	AK4562D.04	PUMP SUPPORT
5	AK4562D.05	HEX.SET SCREW
6	AK4562D.06	STOPPER
7	AK4562D.07	ACCESSORIES SUPPORT
8	AK4562D.08	HEX.BOLT
9	AK4562D.09	WASHER
10	AK4562D.10	NUT
11	AK4562D.11	WHEEL WITH BRAKE
12	AK4562D.12	HEX.BOLT
13	AK4562D.13	WASHER
14	AK4562D.14	WHEEL
15	AK4562D.15	AXLE
16	AK4562D.16	HEX.BOLT
17	AK4562D.17	TROLLEY TOP
18	AK4562D.18	JOINT PIN
19	AK4562D.19	HANDLE JOINT
20	AK4562D.20	HAIRPIN CLIP
21	AK4562D.21	STOPPER
22	AK4562D.22	HANDLE GRIP
23	AK4562D.23	HEX.HEAD SCREW
24	AK4562D.24	NUT
25	AK4562D.25	MOVABLE HANDLE
26	AK4562D.26	HANDLE SUPPORT
27	AK4562D.27	WHEEL WITHOUT BRAKE
28	AK4562D.28	HEX.HEAD SCREW

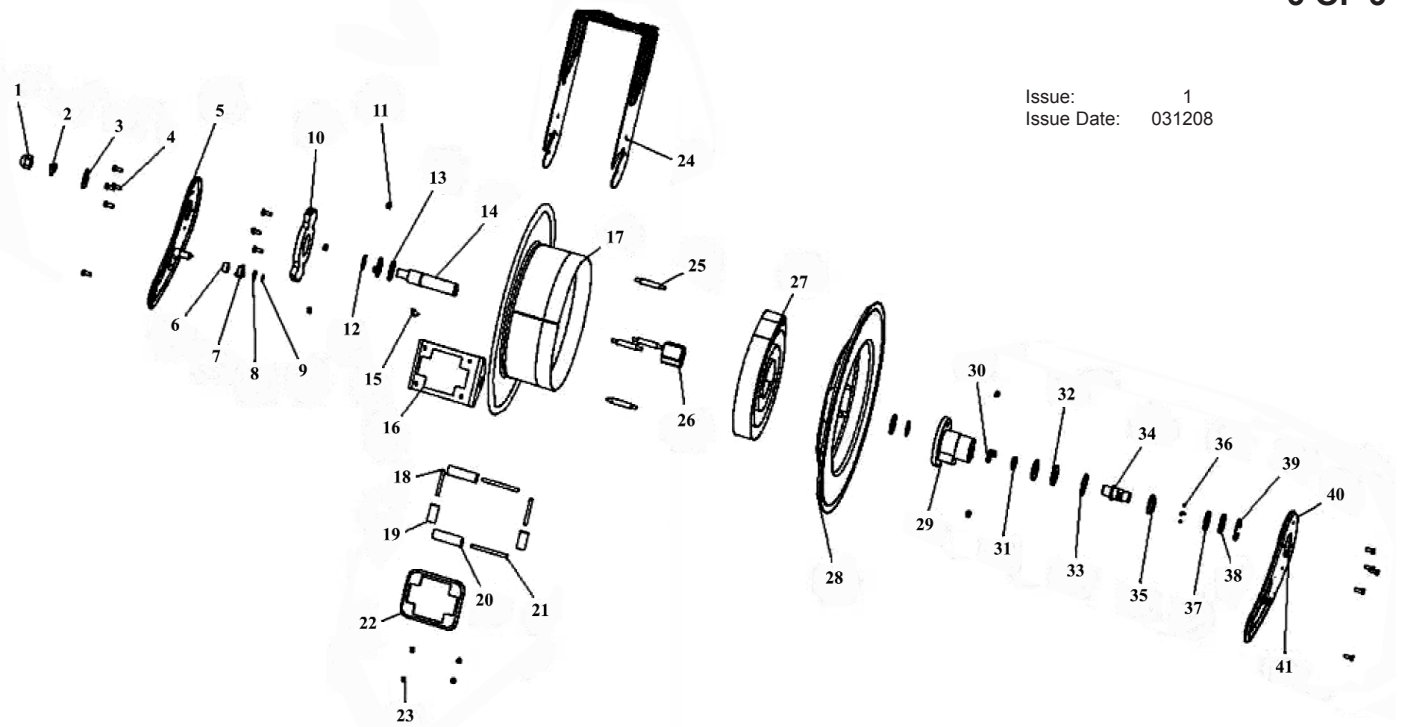


Issue: 1
 Issue Date: 031208

ITEM	PART NO	DESCRIPTION
2	AK4560D.AC2	BUNG ADAPTOR
4	AK4560D.AC4	HOSE WITH FITTING
5	AK4560D.AC5	AIR HOSE WITH QUICK COUPLING
7-1	AK4560D.AC7-1	FILTER
7-2	AK4560D.AC7-2	PRESSURE REGULATOR
7-3	AK4560D.AC7-3	LUBRICATOR



NOTE: It is our policy to continually improve products and as such we reserve the right to alter data, specifications and component parts without prior notice.
IMPORTANT: No liability is accepted for incorrect use of product.
WARRANTY: Guarantee is 12 months from purchase date, proof of which will be required for any claim.
INFORMATION: For a copy of our latest catalogue and promotions call us on 01284 757525 and leave your full name and address, including postcode.



Issue: 1
 Issue Date: 031208

ITEM	PART NO	DESCRIPTION	ITEM	PART NO	DESCRIPTION
1	AK4567D.01	NUT	22	AK4567D.22	GUIDE PLATE
2	AK4567D.02	SPRING WASHER	23	AK4567D.23	BOLT
3	AK4567D.03	BOLT	24	AK4567D.24	BASE
4	AK4567D.04	WASHER	25	AK4567D.25	BOLT
5	AK4567D.05	BRACKET ARM	26	AK4567D.26	SPRING DOG
6	AK4567D.06	WASHER	27	AK4567D.27	SPRING
7	AK4567D.07	RATCHET	28	AK4567D.28	DRUM
8	AK4567D.08	WASHER	29	AK4567D.29	SWIVEL SHAFT
9	AK4567D.09	LOCK WASHER	30	AK4567D.30	WASHER
10	AK4567D.10	PULLEY	31	AK4567D.31	SEAL
11	AK4567D.11	NUT	32	AK4567D.32	WASHER
12	AK4567D.12	LOCK WASHER	33	AK4567D.33	LOCK WASHER
13	AK4567D.13	WASHER	34	AK4567D.34	SWIVEL SHAFT
14	AK4567D.14	SHAFT	35	AK4567D.35	BEARING COVER
15	AK4567D.15	KEY	36	AK4567D.36	BEARING
16	AK4567D.16	GUIDE SUB-PLATE	37	AK4567D.37	WASHER
17	AK4567D.17	DRUM	38	AK4567D.38	WASHER
18	AK4567D.18	ROLLER AXLE	39	AK4567D.39	LOCK WASHER
19	AK4567D.19	ROLLER	40	AK4567D.40	BRACKET ARM
20	AK4567D.20	ROLLER	41	AK4567D.41	SHAFT SLEEVE
21	AK4567D.21	ROLLER AXLE	42	AK4567D.42	HOSE 10mtr (not shown)

NOTE: It is our policy to continually improve products and as such we reserve the right to alter data, specifications and component parts without prior notice.

IMPORTANT: No liability is accepted for incorrect use of product.

WARRANTY: Guarantee is 12 months from purchase date, proof of which will be required for any claim.

INFORMATION: For a copy of our latest catalogue and promotions call us on 01284 757525 and leave your full name and address, including postcode.