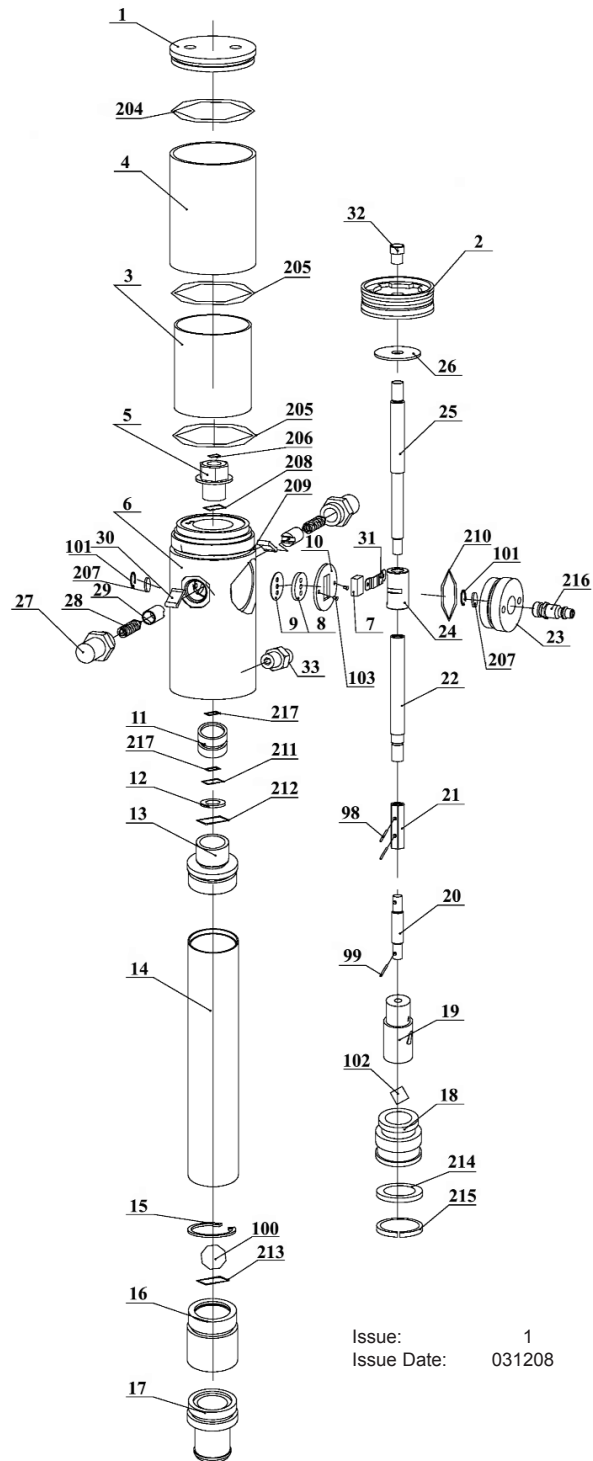


ITEM	PART NO	DESCRIPTION
1	AK4560D.01	AIR MOTOR COVER
2	AK4560D.02	PISTON
3	AK4560D.03	AIR MOTOR SHELL (INNER)
4	AK4560D.04	AIR MOTOR SHELL (OUTER)
5	AK4560D.05	BRACKET
6	AK4560D.06	AIR CONTROL CENTRE
7	AK4560D.07	SLIDER
8	AK4560D.08	GASKET
9	AK4560D.09	SOFT GASKET
10	AK4560D.10	SECURING WASHER
11	AK4560D.11	BRACKET
12	AK4560D.12	WASHER
13	AK4560D.13	CONNECT TUBE
14	AK4563D.P14	SUCTION TUBE (740mm)
15	AK4560D.15	SPRING CIRCLIP
16	AK4560D.16	VALVE SEAT
17	AK4560D.17	FILTER
18	AK4560D.18	PISTON
19	AK4560D.19	CONNECTING SHELL
20	AK4560D.20	CONNECT SHAFT
21	AK4560D.21	CONNECT SHELL
22	AK4560D.22	MIDDLE SHAFT
23	AK4560D.23	AIR CENTRE COVER
24	AK4560D.24	SLIDER SHELL
25	AK4560D.25	PISTON SHAFT
26	AK4560D.26	WASHER
27	AK4560D.27	SPRING SHELL
28	AK4560D.28	SPRING
29	AK4560D.29	SPRING SEAT
30	AK4560D.30	TRIP SHOE GUIDE
31	AK4560D.31	PRESS PIECE
32	AK4560D.32	NUT
33	AK4560D.33	OUTLET
98	AK4560D.98	PIN
99	AK4560D.99	PIN
100	AK4560D.100	BALL
101	AK4560D.101	SMALL CIRCLIP
102	AK4560D.102	BALL
103	AK4560D.103	SCREW
204	AK4560D.204	O-RING
205	AK4560D.205	O-RING
206	AK4560D.206	O-RING
207	AK4560D.207	SILENCER
208	AK4560D.208	O-RING
209	AK4560D.209	O-RING
210	AK4560D.210	O-RING
211	AK4560D.211	O-RING
212	AK4560D.212	O-RING
213	AK4560D.213	O-RING
214	AK4560D.214	U SEAL
215	AK4560D.215	GUIDING
216	AK4560D.216	QUICK COUPLING
217	AK4560D.217	OD SEAL



Issue: 1
 Issue Date: 031208

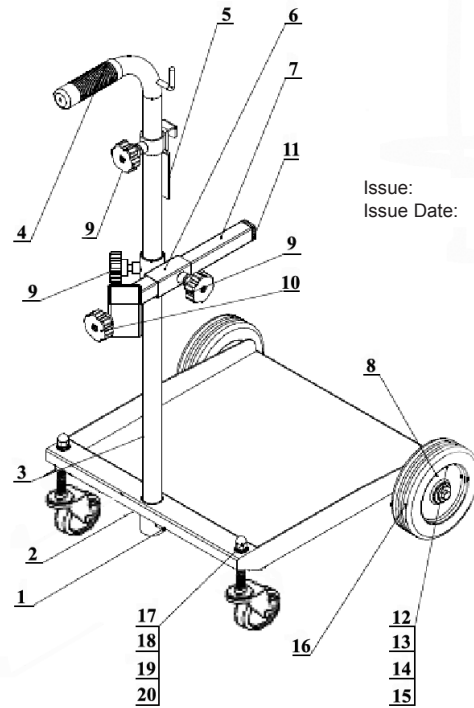
NOTE: It is our policy to continually improve products and as such we reserve the right to alter data, specifications and component parts without prior notice.

IMPORTANT: No liability is accepted for incorrect use of product.

WARRANTY: Guarantee is 12 months from purchase date, proof of which will be required for any claim.

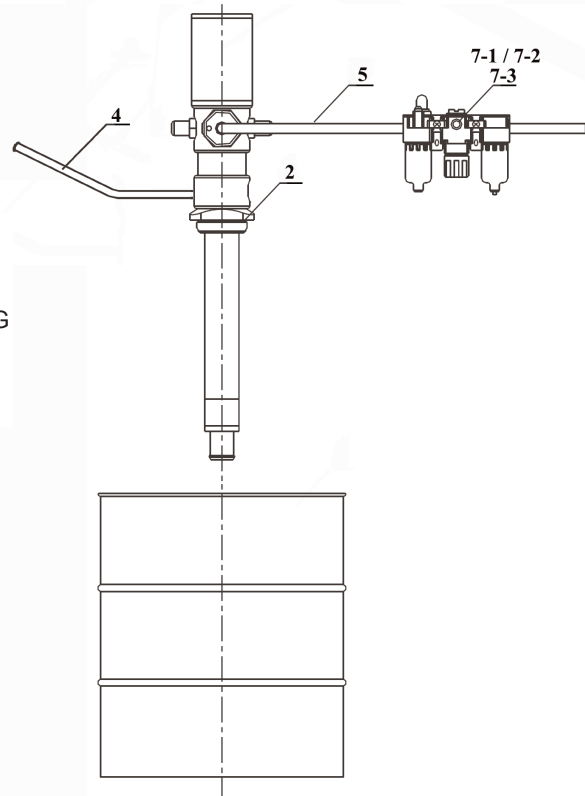
INFORMATION: For a copy of our latest catalogue and promotions call us on 01284 757525 and leave your full name and address, including postcode.

ITEM	PART NO	DESCRIPTION
1	AK4563D.01	SCREW
2	AK4563D.02	TROLLEY TOP
3	AK4563D.03	HANDLE
4	AK4563D.04	HANDLE COVER
5	AK4563D.05	DRUM SUPPORT
6	AK4563D.06	ADJUSTABLE COVER
7	AK4563D.07	ADJUSTABLE POLE
8	AK4563D.08	HEX.BOLT
9	AK4563D.09	HANDLE WHEEL
10	AK4563D.10	ACCESSORY
11	AK4563D.11	BLOCKER
12	AK4563D.12	M6 BOLT
13	AK4563D.13	WASHER
14	AK4563D.14	M8 BOLT
15	AK4563D.15	WASHER
16	AK4563D.16	WHEEL
17	AK4563D.17	SWIVELLING WHEEL
18	AK4563D.18	DOMED NUT
19	AK4563D.19	WASHER
20	AK4563D.20	WASHER
--	AK4561D.21	WHEEL AXLE (not shown)



Issue: 1
 Issue Date: 031208

ITEM	PART NO	DESCRIPTION
2	AK4560D.AC2	BUNG ADAPTOR
4	AK4560D.AC4	HOSE WITH FITTING
5	AK4560D.AC5	AIR HOSE WITH QUICK COUPLING
7-1	AK4560D.AC7-1	FILTER
7-2	AK4560D.AC7-2	PRESSURE REGULATOR
7-3	AK4560D.AC7-3	LUBRICATOR



NOTE: It is our policy to continually improve products and as such we reserve the right to alter data, specifications and component parts without prior notice.

IMPORTANT: No liability is accepted for incorrect use of product.

WARRANTY: Guarantee is 12 months from purchase date, proof of which will be required for any claim.

INFORMATION: For a copy of our latest catalogue and promotions call us on 01284 757525 and leave your full name and address, including postcode.