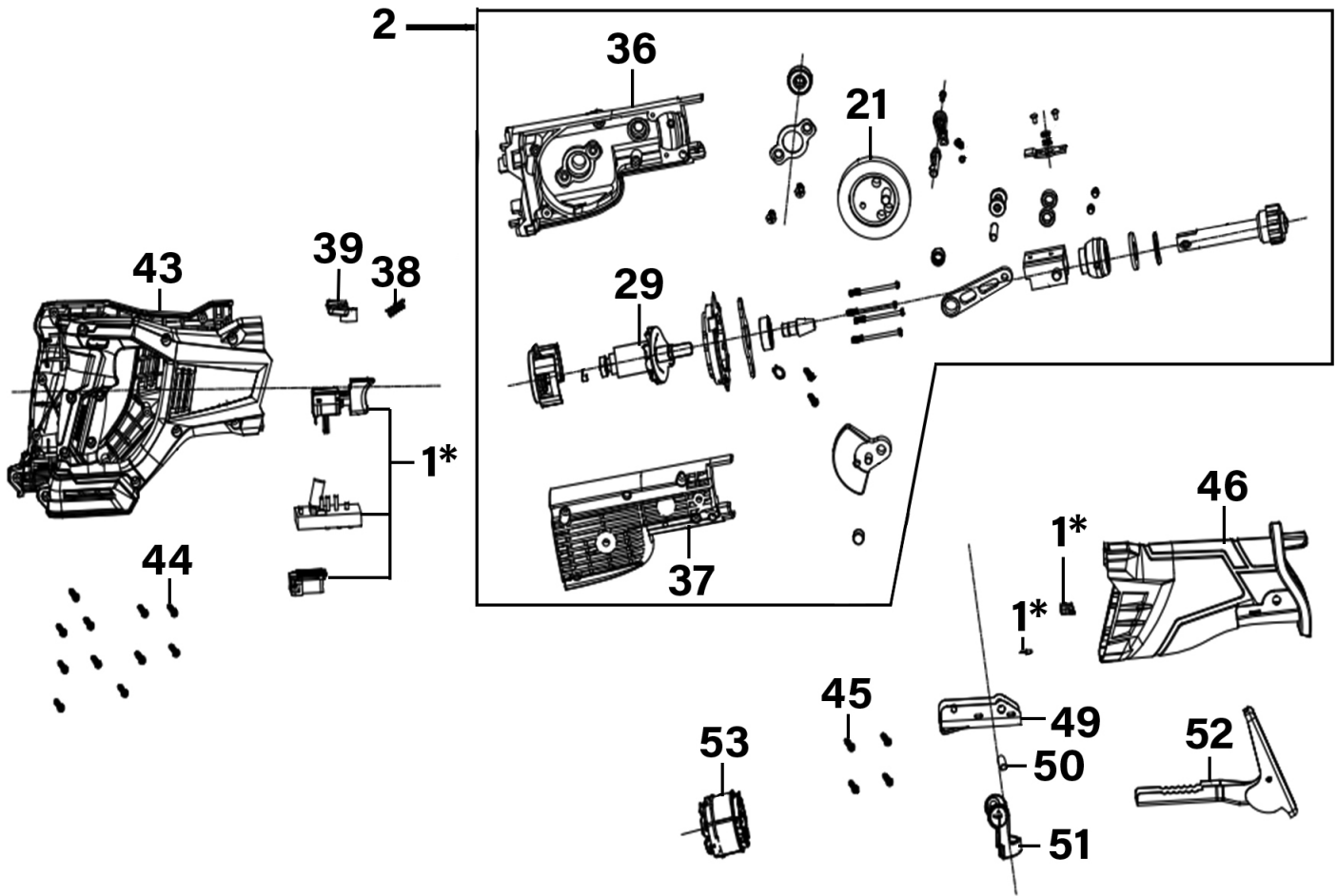


Parts Information:
20V Brushless Reciprocating Saw - Body Only
Model No: CP20VRSX



Item	Part No.	Description
1*	CP20VRSX-CBA	Control Board Assembly
2	CP20VRSX-GA	Gearbox Assembly
21	CP20VRSX-21	Gear Wheel
29	CP20VRSX-29	Rotor (Brushless)
36	CP20VRSX-36	Gearbox Case Cover (A)
37	CP20VRSX-37	Gearbox Case Cover (B)
38	CP20VRSX-38	Push Rod Spring
39	CP20VRSX-39	Push Rod
43	CP20VRSX-43	Main Body

Item	Part No.	Description
44	CP20VRSX-44	Self-Tapping Screw
45	CP20VRSX-45	Self-Tapping Screw
46	CP20VRSX-46	Gearbox Cover
49	CP20VRSX-49	Supporting Bar
50	CP20VRSX-50	Adjustment Shaft
51	CP20VRSX-51	Base Plate Adjustment Knob
52	CP20VRSX-52	Support Foot
53	CP20VRSX-53	Motor (Brushless)

NOTE: It is our policy to continually improve products and as such we reserve the right to alter data, specifications and component parts without prior notice. There may be alternative versions of this product, please contact us should you require this information.

IMPORTANT: No liability is accepted for incorrect use of product. Spare parts must be fitted by a competent person

WARRANTY: Guarantee is 12 months from purchase date, proof of which will be required for any claim.