

DRAPER[®]

SPARE PARTS LISTING SHEET FOR

230V 1" Bench Morticer

Stock No.09896 Part No.BM25/AABM25

KEY No.	PART No.	STOCK No.	DESCRIPTION
1	YBM25-01	86689	Base.
2	YBM25-02	86690	Table base.
3	YBM25-03	86691	Drift.
4	YBM25-04	86692	Screw.
5	YBM25-05	86693	Nut.
6	YBM25-06	86694	Washer.
7	YBM25-07	86695	Washer.
8	YBM25-08	86696	Screw.
9	YBM25-09	86697	Column.
10	YBM25-10	86698	Screw.
11	YBM25-11	86699	Spring.
12	YBM25-12	86700	Screw.
13	YBM25-13	86701	Nut.
14	YBM25-14	86702	Drift.
15	YBM25-15	86703	Screw.
16	YBM25-16	86704	Rack.
17	YBM25-17	86705	Screw.
18	YBM25-18	86706	Fence.
19	YBM25-19	86707	Washer.
20	YBM25-20	86708	Washer.
21	YBM25-21	86709	Screw.
22	YBM25-22	86710	Localizer.
23	YBM25-23	86711	Washer.
24	YBM25-24	86712	Screw.
25	YBM25-25	86713	Screw.
26	YBM25-26	86714	Pin.
27	YBM25-27	86715	Nut.
28	YBM25-28	86716	Washer.
29	YBM25-29	86717	Screw.
30	YBM25-30	86718	Screw.
31	YBM25-31	86719	Setting collar.
32	YBM25-32	86720	Setting rod.
33	YBM25-33	86721	Setting collar.
34	YBM25-34	86722	Nut.
35	YBM25-35	86723	Washer.
36	YBM25-36	86724	Screw.
37	YBM25-37	86725	Screw.
38	YBM25-38	86726	Screw.
39	YBM25-39	86727	Screw.
40	YBM25-40	86728	Depth gauge.
41	YBM25-41	86729	Screw.
43	YBM25-43	86731	Screw.
44	YBM25-44	86732	Washer.
45	YBM25-45	86733	Localizer.
46	YBM25-46	86734	Nut.
47	YBM25-47	86735	Washer.
48	YBM25-48	86736	Spring.
49	YBM25-49	86737	Washer.
50	YBM25-50	86738	Connecting bend.
51	YBM25-51	86739	Handle.
52	YBM25-52	86740	Motor.
53	YBM25-53	86741	Handle grip.
54	YBM25-54	86742	Power cord.
55	YBM25-55	86743	Cable strain.
56	YBM25-56	86744	Switch box.
57	YBM25-57	86745	Switch.
58	YBM25-58	86746	Screw.
59	YBM25-59	86747	Screw.
60	YBM25-60	86748	Chuck.
61	YBM25-61	86749	Screw.
62	YBM25-62	86750	Cover.
63	YBM25-63	86751	Gear.
64	YBM25-64	86752	Shaft.
65	YBM25-65	86753	Connecting bend.
66	YBM25-66	86754	Spring.
67	YBM25-67	86755	Screw.
68	YBM25-68	86756	Headstock.
69	YBM25-69	86757	Screw.
70	YBM25-70	86758	Rule.

KEY No.	PART No.	STOCK No.	DESCRIPTION
71	YBM25-71	86759	Screw.
72	YBM25-72	86760	Setting collar.
73	YBM25-73	86761	Screw.
74	YBM25-74	86762	Setting rod.
75	YBM25-75	86763	Setting collar.
76	YBM25-76	86764	Screw.
77	YBM25-77	86765	Bushing.
79	YBM25-79	86766	Pin.
80	YBM25-80	86767	Clamp plate.
81	YBM25-81	86768	Spring.
82	YBM25-82	86769	Spring cover.
83	YBM25-83	86770	Handle.
84	YBM25-84	86771	Cover.
85	YBM25-85	86772	Screw.
86	YBM25-86	86773	Cover base.
87	YBM25-87	86774	Spring.
88	YBM25-88	86775	Handle.
89	YBM25-89	86776	Shaft.
90	YBM25-90	86777	Clamping block.
91	YBM25-91	86778	Nut.
92	YBM25-92	86779	Screw.
93	YBM25-93	86780	Locking shaft.
94	YBM25-94	86781	Handle.
95	YBM25-95	86782	Wood table.
96	YBM25-96	86783	Screw.
97	YBM25-97	86784	Table.
98	YBM25-98	86785	Washer.
99	YBM25-99	86786	Screw.
100	YBM25-100	86787	Rack.
101	YBM25-101	86788	Screw.
102	YBM25-102	86789	Gear.
103	YBM25-103	86790	Drift.
104	YBM25-104	86791	Nut.
105	YBM25-105	86792	Screw.
106	YBM25-106	86793	Pin.
107	YBM25-107	86794	Gear shaft.
108	YBM25-108	86795	Collar.
109	YBM25-109	86796	Handwheel.
110	YBM25-110	86797	Screw.
111	YBM25-111	86798	Handwheel.
112	YBM25-112	86799	Screw.
113	YBM25-113	86800	Collar.
114	YBM25-114	86801	Lead screw.
115	YBM25-115	86802	Lead nut.
116	YBM25-116	86803	Washer.
117	YBM25-117	86804	Screw.
120	YBM25-120	86805	Shaft.
121	YBM25-121	86806	Setting piece.
122	YBM25-122	86807	Spring.
123	YBM25-123	86808	Clamping body.
124	YBM25-124	86809	Circlip.
125	YBM25-125	86810	Locking handle.
126	YBM25-126	86811	Screw.
127	YBM25-127	86812	Pin.
128	YBM25-128	86813	Disc.
129	YBM25-129	86814	Screw.
140	YBM25-140	86815	Rod.
141	YBM25-141	86816	Bolt.
142	YBM25-142	86817	Setting clip.
143	YBM25-143	86818	Spring.
144	YBM25-144	86819	Cover.
145	YBM25-145	86820	Back bar.
146	YBM25-146	86821	Circlip.
147	YBM25-147	86822	Circlip.
148	YBM25-148	86823	Cover.
149	YBM25-149	86824	Nut.
150	YBM25-150	86825	Stop disc.
151	YBM25-151	86826	Front setting rod.

Helpline: (023) 8049 4344. Sales Desk: (023) 8049 4333. General Enquiries: (023) 8026 6355.

DRAPER TOOLS LTD, HURSLEY ROAD, CHANDLER'S FORD, EASTLEIGH, HANTS. SO53 1YF. U.K.
NWJW110809

internet: www.draper.co.uk

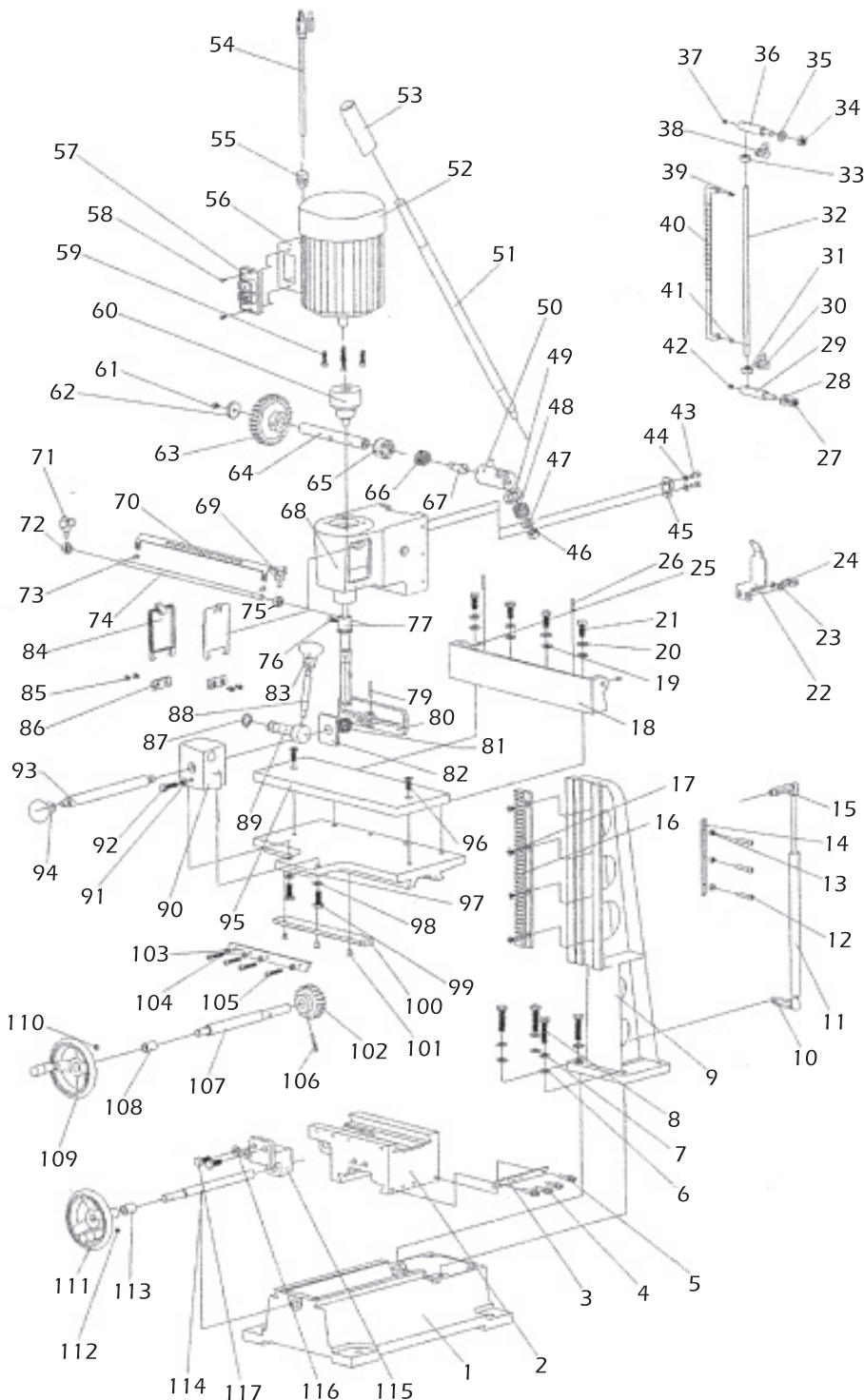
e-mail: sales@drapertools.com



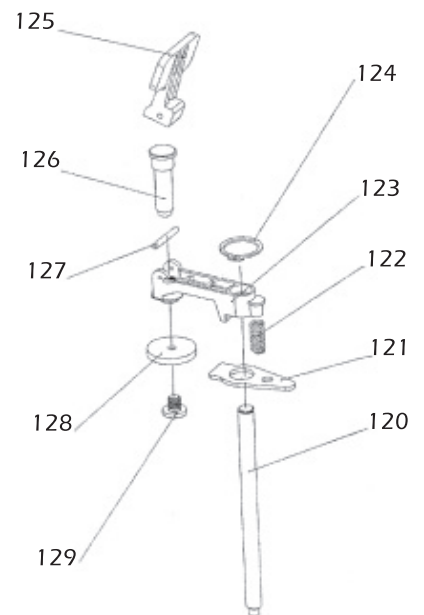
SPARE PARTS DRAWING SHEET FOR

230V 1" Bench Morticer

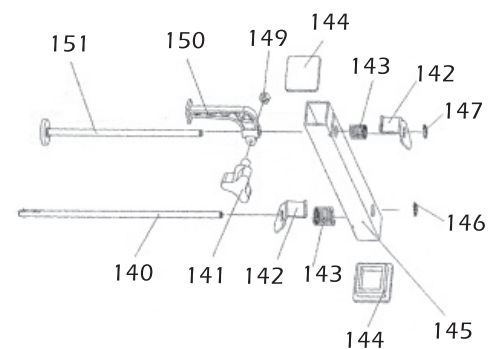
Stock No.09896 Part No.BM25/AABM25



Clamping Bar Assembly



Work Stop Assembly



Helpline: (023) 8049 4344. Sales Desk: (023) 8049 4333. General Enquiries: (023) 8026 6355.