



# DELUXE FACE SHIELD WITH POWERED AIR PURIFYING RESPIRATOR (PAPR)

MODEL NO: **SSP80PAPR**

Thank you for purchasing a Sealey product. Manufactured to a high standard, this product will, if used according to these instructions, and properly maintained, give you years of trouble free performance.

**IMPORTANT:** PLEASE READ THESE INSTRUCTIONS CAREFULLY. NOTE THE SAFE OPERATIONAL REQUIREMENTS, WARNINGS & CAUTIONS. USE THE PRODUCT CORRECTLY AND WITH CARE FOR THE PURPOSE FOR WHICH IT IS INTENDED. FAILURE TO DO SO MAY CAUSE DAMAGE AND/OR PERSONAL INJURY AND WILL INVALIDATE THE WARRANTY. KEEP THESE INSTRUCTIONS SAFE FOR FUTURE USE.



Refer to instructions



Charger indoor use only

## 1. SAFETY

### 1.1. ELECTRICAL SAFETY

- ❑ **WARNING!** It is the user's responsibility to check the following:


Check all electrical equipment and appliances to ensure that they are safe before using. Inspect power supply leads, plugs and all electrical connections for wear and damage. Sealey recommend that an RCD (Residual Current Device) is used with all electrical products. You may obtain an RCD by contacting your local Sealey Stockist.

If the product is used in the course of business duties, it must be maintained in a safe condition and routinely PAT (Portable Appliance Test) tested.

Electrical safety information, it is important that the following information is read and understood.

- 1.1.1. Ensure that the insulation on all cables and on the appliance is safe before connecting it to the power supply.
- 1.1.2. Regularly inspect power supply cables and plugs for wear or damage and check all connections to ensure that they are secure.
- 1.1.3. **Important:** Ensure that the voltage rating on the appliance suits the power supply to be used and that the plug is fitted with the correct fuse - see fuse rating in these instructions.
  - × **DO NOT** pull or carry the appliance by the power cable.
  - × **DO NOT** pull the plug from the socket by the cable. Remove the plug from the socket by maintaining a firm grip on the plug.
  - × **DO NOT** use worn or damaged cables, plugs or connectors. Ensure that any faulty item is repaired or replaced immediately by a qualified electrician.

- 1.1.4. This product is fitted with a BS1363/A 13 Amp 3 pin plug.

If the cable or plug is damaged during use, switch the electricity supply and remove from use. Replace a damaged plug with a BS1363/A 13 Amp 3 pin plug. If in doubt contact a qualified electrician. Class II products are wired with live (brown) and neutral (blue) only, and are marked with the  Class II symbol;

A) Connect the BROWN live wire to the live terminal 'L'.

B) Connect the BLUE neutral wire to the neutral terminal 'N'.

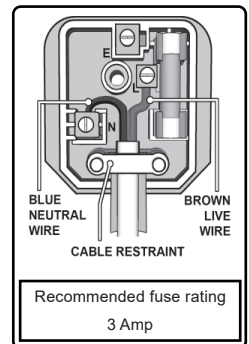
C) After wiring, check that there are no bare wires and ensure that all wires have been correctly connected.

Ensure that the cable outer sheath extends inside the cable restraint and that the restraint is tight.

- × **DO NOT** connect either wire to the earth terminal.  
Sealey recommend that repairs are carried out by a qualified electrician.

### 1.2. GENERAL SAFETY

- ✓ Ensure all workshop safety rules, regulations and conditions are complied with when using this equipment. The face shield will not offer protection against misuse of workshop tools, equipment, or accessories.
- ✓ Maintain the face shield in good condition and protect cartridge from liquid and dirt contact.
- ✓ Use genuine parts only. Unauthorised parts may be dangerous and will invalidate the warranty.
- ✓ Fit the face shield and adjust the head band so the face shield will sit as low and near to your face as possible.
- ✓ Ensure that the face hood is securely attached to the face shield.
- ✓ Use face shield only in temperatures ranging from -5°C to 55°C.
- ✓ Remove ill fitting clothing, remove ties, watches, rings and other loose jewellery.
- ✓ Maintain correct balance and footing.
- ✓ Ensure the floor is clear from obstructions, not slippery and wear non-slip shoes.
- ✓ Keep children and unauthorised persons away from the working area.
- ✓ Use of this face shield is for face and eye protection against low energy impact and splashing liquids.
- ✓ Inspect the face shield frequently as a pitted or scratched face shield reduces vision and therefore should be replaced immediately.
- ✓ Be aware if wearing standard ophthalmic spectacles they may transmit impacts, creating a hazard for the user.
- × **DO NOT** use if any part of the face shield is cracked or broken.
- × **DO NOT** place this product on a hot surface.
- × **DO NOT** use this face shield for protection against gases, ultra violet or infra red radiation, ionising radiation, liquids under pressure or other severe hazards.
- × **DO NOT** use this face shield against heavy impact hazards, the lens is breakable.
- × **DO NOT** use this face shield for welding or laser cutting.
- × **DO NOT** use face shield for any purpose for which it is not designed.
- ❑ **WARNING! DO NOT** use the face shield if damaged or you suspect it may be faulty. (Contact Sealey Stockist).



- ▲ **DANGER! DO NOT** wear this respirator system to enter areas where:
  1. Atmospheres are oxygen deficient.
  2. Contaminant concentrations are unknown.
  3. Contaminant concentrations are Immediately Dangerous to Life or Health.
  4. Contaminant concentrations exceed the maximum use concentration determined using the assigned Protection Factor for the specific respirator system.
- ✓ If ventilation is poor, wear an approved air-supplied respirator.
- ✓ Work in confined space only if it is well ventilated, or while wearing an air-supplied respirator. Always have a trained watch-person nearby. Ensure the breathing air is safe.
- ✓ Read and follow these instructions and the safety labels carefully.
- ✓ The powered air purifying respirator (PAPR) helps protect the user from specific airborne contaminants but must be used correctly to be fully effective. Have an industrial hygienist test the air in your facility to ensure the PAPR provides adequate protection from contaminants in your environment. If you have questions about the respirator, see equipment warning label and consult your Safety Director and a certified Industrial Hygienist.
- ✓ Follow all applicable EN/ANSI/CSA/AS&NZS, and other regulatory guidelines pertaining to the use of respirators.
- ✗ **DO NOT** use the powered air purifying respirator where there is danger of fire or explosion.
- ✗ **DO NOT** use the powered air purifying respirator in windy conditions or negative pressure inside the hood may draw in contaminants from the outside air.
- ✓ The powered air purifying respirator does not supply oxygen. Use the respirator only in atmospheres for which it is EN/ANSI/CSA/AS&NZS approved.
- ✗ **DO NOT** use the respirator where oxygen levels are 19.5% or lower, where contaminant levels are unknown or are immediately dangerous to life or health, or where the contaminant levels exceed the respirator specifications.
- ✗ **DO NOT** enter a hazardous area until you are sure the respirator equipment is correctly assembled, working properly, and properly worn.
- ✓ Before each use, inspect the respirator equipment for damage and verify it operates properly.
- ✓ Before using the respirator, test air flow to verify it is providing an adequate volume of air.
- ✗ **DO NOT** use the powered air purifying respirator without all filter components or with the blower turned off, as hazardous levels of oxygen and carbon dioxide may accumulate in helmet.
- ✓ Always wear the powered air purifying respirator when entering a contaminated area.
- ✗ **DO NOT** remove the respirator until outside the contaminated area.
- ✓ Dangerous contaminants may not smell or be visible. Leave the area immediately if you notice the following:
  - Breathing becomes difficult.
  - You experience dizziness, impaired vision, or eye, nose, or mouth irritation.
  - The powered air purifying respirator alarm sounds.
  - The equipment is damaged.
  - Air flow decreases or stops.
  - If you think the equipment is not supplying adequate protection.
- ✗ **DO NOT** remove the equipment until you are in a safe area.
- ✗ **DO NOT** repair, modify, or disassemble the powered air purifying respirator or use with parts or accessories not supplied by the manufacturer. Use only those components that are part of the approved assembly.
- ✓ Replace damaged or clogged filters.
- ☐ **WARNING!** The particle filter **CAN NOT** be cleaned.
- ✗ **DO NOT** wash or reuse filters.
- ✗ **DO NOT** clean filters by tapping or with compressed air as this will destroy the filters, the equipment will not give the expected protection and the warranty will be invalidated.
- ✓ Dispose of used filter elements according to local requirements.
- ✓ The powered air purifying respirator must be used with the face shield, face hood, and filters recommended by the manufacturer to provide a respirator system. See the label on the blower for information on the required equipment.
- ✗ **DO NOT** use the powered air purifying respirator belt or shoulder straps (if equipped) as a safety harness.

## 2. INTRODUCTION

PAPR (Powered Air Purifying Respirator) system with deluxe safety face shield. Lithium battery powered respirator unit provides the user a constant filtered stream of air to their head and face for up to approximately 8 hours. The filter assembly, consisting of a foam pre-filter & HEPA filter, is designed to reduce or remove dust and particles but not vapours and gases. The kit meets performance class TH2 according to EN 12941:1998/A2:2008. Adjustable airflow settings of 150-180L/min. Features an audible alarm to alert user of low battery/low airflow. Polycarbonate visor for increased protection, stability, and durability. Ratchet adjustable headband with front and back padding for extra comfort. Suitable for use with standard glasses. Face shield conforms to BS EN 166, Optical Class 1, Impact Grade F.

## 3. SPECIFICATION

Model No: .....SSP80PAPR  
 PAPR Air flow settings:..... 150/180 L/min  
 Operating time: .....Low speed: 6-8hr approx.  
 .....High speed: 4-6hr approx.  
 PAPR Lithium battery charging time:.....3hr approx.  
 Operating temperature: ..... -5° to 55°C  
 Storage temperature: .....-10° to 50°C  
 PAPR Filter classification: ..... TH2 P R SL

## 4. OPERATION

Unpack the product and check contents. Should there be any damaged or missing parts contact your supplier immediately.

### REFER TO ATTACHED PARTS LIST.

#### 4.1. CHARGING THE BATTERY

- **WARNING!** Allow the battery to cool before charging.

4.1.1. Remove the battery pack, SSP80PAPR.BP, from the blower assembly (see section 4.3 below).

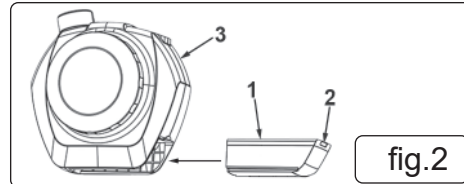
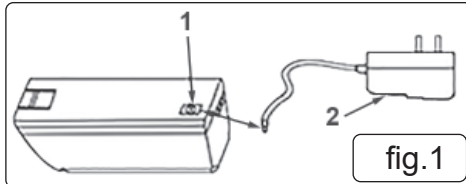
4.1.2. Connect the charge cord connector to the charging socket on the battery pack, SSP80PAPR.BP, (fig 1 - 1) and plug the mains charger, SSP80PAPR.C, (fig 1 - 2) into a mains socket.

4.1.3. When charging the indicator light on the mains charger will display red.

4.1.4. When fully charged the indicator light on the mains charger will change to display green.

4.1.5. When charging is complete, unplug the mains charger, SSP80PAPR.C, from the mains and the battery pack.

- × **DO NOT** leave the battery pack on charge for long periods.



#### 4.2. BATTERY INSTALLATION

4.2.1. Slide the battery pack, SSP80PAPR.BP, (fig 2 - 1) into the blower body, SSP80PAPR.H09, (fig 2 - 3) until it locks into place.

#### 4.3. BATTERY REMOVAL

4.3.1. Hold the blower body (fig 2 - 3) firmly and lift up the battery lock button (fig 2 - 2), then slide and remove the battery pack (fig 2 - 1).

#### 4.4. AIR FILTER INSTALLATION

4.4.1. Remove the filter cover, SSP80PAPR.F04 (fig 3 - 4).

4.4.2. Install the filter, SSP80PAPR.F, (fig 3 - 2) into the filter body, SSP80PAPR.F01, (fig 3 - 1) and lock into position by screwing clockwise until secure.

4.4.3. Install the foam filter, SSP80PAPR.F03, (fig 3 - 3) above the filter, SSP80PAPR.F, (fig 3 - 2).

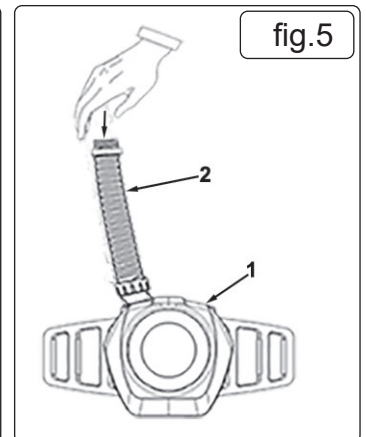
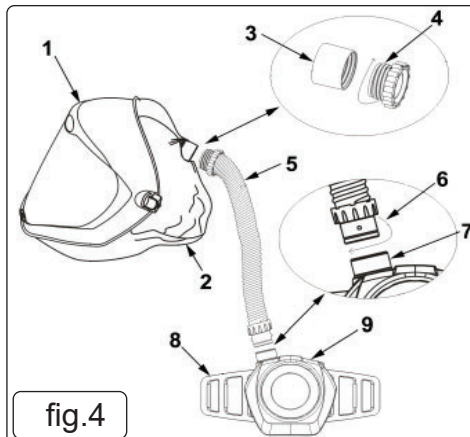
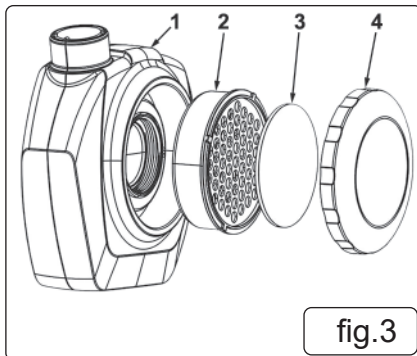
4.4.4. Push fit the filter cover, SSP80PAPR.F04, (fig 3 - 4) until it "clicks" into position.

- × **DO NOT** use the respirator without the filter cover, foam filter and filter installed.

- × **DO NOT** wash filters, clean with compressed air, or reuse dirty air filters. Replace damaged or dirty air filter.

#### 4.5. AIR FILTER REMOVAL

4.5.1. Removal of the filter is as section 4.4 but in reverse.



#### 4.6. ATTACHING THE HOSE ASSEMBLY TO BLOWER BODY

4.6.1. Insert hose assembly connector, SSP80PAPR.H06, (fig 4 - 6) into blower body connector outlet, SSP80PAPR.H07, (fig 4 - 7) until snug and then turn 1/8 turn clockwise to lock the hose assembly, SSP80PAPR.H05, (fig 4 - 5) into place.

#### 4.7. ATTACHING THE HOSE ASSEMBLY TO FACE HOOD

4.7.1. Thread the hose assembly connector, SSP80PAPR.H04, (fig 4 - 4) into the face hood connection, SSP80PAPR.H03, (fig 4 - 3) and turn clockwise until the hose assembly, SSP80PAPR.H05, (fig 4 - 5) locks into position.

#### 4.8. TESTING THE AIR FLOW ALARM

4.8.1. Disconnect the hose assembly, SSP80PAPR.H05, (fig 4 - 5) from face hood, SSP80PAPR.H02, (fig 4 - 2).

4.8.2. Start the blower, SSP80PAPR.H09, (fig 5 - 1) and block the air flow by placing your hand over the open end of the hose assembly, SSP80PAPR.H05, (fig 5 - 2).

4.8.3. Continue to block the air flow (fig 5) until the alarm sounds and the blower begins to vibrate.

4.8.4. If the alarm does not sound and the blower fails to vibrate, check the battery and filter element.

#### 4.9. OPERATING THE CONTROLS

##### 4.9.1. TO START

4.9.2. Press the ON/OFF button (fig 6 - 1) for approx one second, until the blower starts (fig 6 - 6).

4.9.3. The low (fig 6 - 2) and high (fig 6 - 3) speed indicator lights will flash on, then off, the alarm sounds briefly and the blower will vibrate momentarily.

**NOTE:** The blower will start in the low speed position.

4.9.4. When the blower (fig 6 - 6) is operating press the ON/OFF button (fig 6 - 1) to alternate between low speed and high speed.

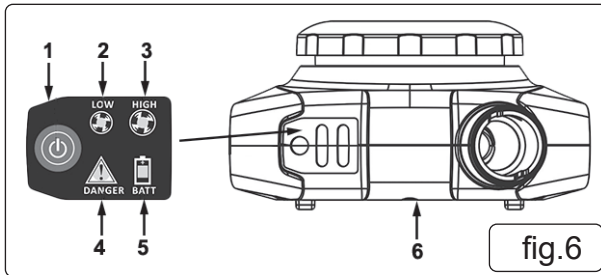
**4.9.5. TO STOP**

**4.9.6.** Press the ON/OFF button (fig 6 - 1) for approx one second, until the audible alarm and blower stops.

- **WARNING!** If the danger indicator light (fig 6 - 4) comes on, the audible alarm sounds and the blower (fig 6 - 6) vibrates, this indicates, that either the battery charge level is low, the air flow is reduced due to a dirty filter, the hose assembly is blocked or there is another possible problem.

**4.10. BATTERY LEVEL INDICATOR**

**4.10.1.** The battery level indicator light (fig 6 - 5) indicates the remaining charge in the battery.



BATTERY LEVEL INDICATOR	
LEVEL INDICATOR LIGHT	REMAINING POWER (%)
Green	90
Yellow	30 - 90
Red	10 - 30
Red - Flashing	0 - 10

**4.11. TEST AIR FLOW**

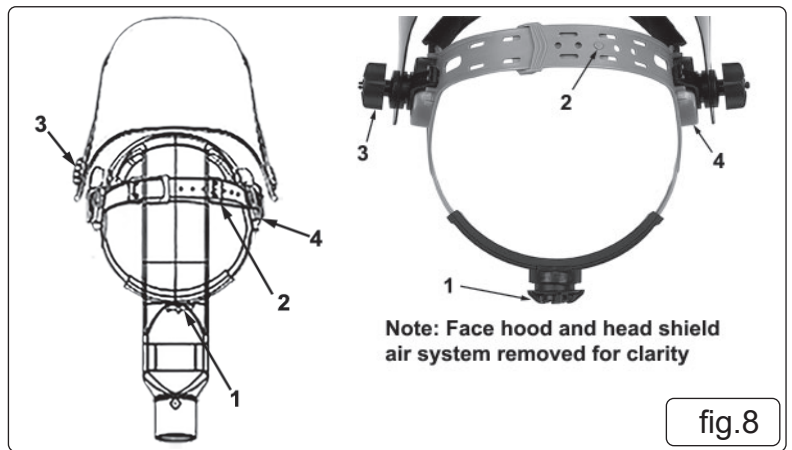
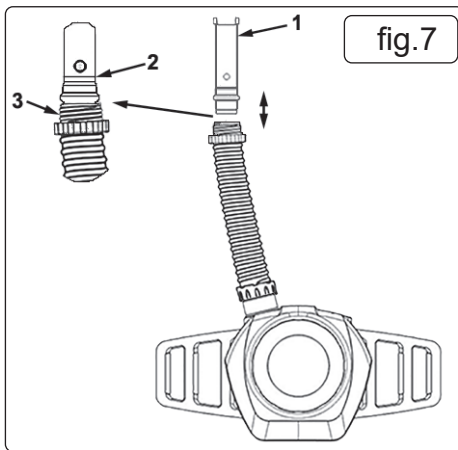
**4.11.1.** Disconnect hose assembly, SSP80PAPR.H05, (fig 4 - 5) from face hood, SSP80PAPR.H04, (fig 4 - 2).

**4.11.2.** Insert air flow meter, SSP80PAPR.12, (fig 7 - 1) into hose assembly connector, SSP80PAPR.H04, (fig 7 - 3).

**4.11.3.** Hold the flow meter vertically and start the blower (see section 4.9.1).

**4.11.4.** The flow meter ball should float above the MIN mark (fig 7 - 2).

- **WARNING!** If the flow meter indicates MIN or below turn the blower off (see section 4.9.5), then check the battery and filter elements.



**4.12. HEAD SHIELD ADJUSTMENT**

**4.12.1.** Adjust the head shield circumference with the thumb wheel (fig 8 - 1) on the back band of the face shield. The thumb wheel is locked in position. Press the thumb wheel in to unlock, then twist clockwise to tighten and counterclockwise to loosen.

At the desired circumference release the thumb wheel back into the locked position, .

**4.12.2.** Adjust the height by snapping the pin on the top band (fig 8 - 2) into the required hole location to lock securely in place.

**4.12.3.** To adjust the viewing angle, loosen the thumb wheels (fig 8 - 3) on both sides of the head shield and change the angle locker to the desired tilt position. There are 5 pre-set positions with the head shield supplied in the mid setting.

**NOTE:** The head shield should still be free enough to be raised up, but not to drift downwards.

**4.12.4.** To adjust the distance between the user's face and the head shield's clear lens, loosen the thumb wheels (fig 8 - 3) on both sides of the head shield until the headband can move back and forth freely. Position the headband into one of the 3 slots (fig 8 - 4), as desired (the head shield is supplied in the mid setting). This should be completed one side at a time and both sides must be located in the same location. Re-tighten the thumb wheels.

**4.13. CHECKING THE FACE SHIELD WITH POWERED AIR PURIFYING RESPIRATOR BEFORE USE**

Before using the respirator, check the following items:

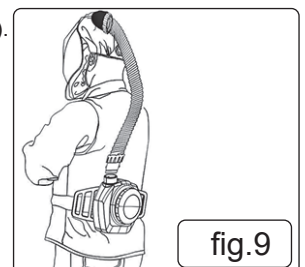
- ✓ Air Filter Assembly: Ensure that the air filter is suitable for the application. Also be sure the filter is undamaged, and securely connected to the blower assembly. See section 4.4.
- ✓ Hose assembly: Ensure the tube is undamaged and properly connected to the blower assembly and hood. See sections 4.6 & 4.7.
- ✓ Battery: Verify the battery is fully charged and securely connected to the blower assembly. See sections 4.1 & 4.2.
- ✓ Air Flow: Test air flow according to Section 4.11.
- ✓ Air Flow Alarm: Turn on blower assembly and check for audible, visual, and vibratory alarms. See section 4.8.
- ✓ Face Hood: Inspect the face hood, ensure it is attached correctly and replace if damaged.

**4.14. PUTTING ON THE FACE SHIELD WITH POWERED AIR PURIFYING RESPIRATOR**

**4.14.1.** Place the blower assembly against the lower back with the hose assembly extending upwards (fig 9).

**4.14.2.** Fasten belt, SSP80PAPR.H08, around the waist and adjust to a comfortable fit.

**4.14.3.** Place face shield assembly over and onto to head. Ensure it is a comfortable snug fit.



## 5. MAINTENANCE

### 5.1. PAPR CLEANING:

5.1.1. Detach the battery pack, hose assembly and the blower. Inspect all parts for damage. Replace all damaged parts prior to storage or next use.

### 5.2. BLOWER

5.2.1. Clean the outer surfaces of PAPR assembly and battery pack with a soft cloth dampened in a solution of water and mild, pH neutral detergent.

\* **DO NOT** immerse the blower or battery pack in water.

\* **DO NOT** use solvents or abrasive cleaners.

\* **DO NOT** attempt to clean the interior of the blower with compressed air or vacuum.

✓ Ensure the electrical contacts of the blower and battery pack are dry.

### 5.3. HOSE ASSEMBLY

5.3.1. Clean the connection joints on the hose assembly with water and a mild detergent solution.

**NOTE:** The hose assembly can be immersed in water for cleaning.

5.3.2. Air dry or dry by connecting to the blower unit and blow dry the hose.

**NOTE:** The inside of the hose must be completely dried prior to use or storage.

### 5.4. HEPA FILTER

5.4.1. Remove the filter cover and inspect the filter.

5.4.2. Replace if excessively dirty.

### 5.5. CHANGING THE VISOR

5.5.1. Release the stud from the bottom of the outside front of the face shield.

5.5.2. Release the two tags on the outside bottom edge of the visor.

5.5.3. Release the two sides and pull downwards to release the visor.

5.5.4. Fitting a new visor is the reverse of the above.

### 5.6. CLEANING AND DISINFECTION THE VISOR

\* **DO NOT** use abrasive materials.

5.6.1. The lens is not scratch resistant. Be very careful when wiping, keep this to a minimum and use a soft, non-friction cloth.

5.6.2. Clean with a soap and warm water or with ordinary household disinfectant.

### 5.7. INSPECTION

5.7.1. Face shields should be periodically inspected and cleaned. If it is damaged, pitted or anything that seriously affects the vision through it, the lens must be replaced.

### 5.8. STORAGE

5.8.1. If the face shield with powered air purifying respirator is not to be used for an extended period, remove the filter and battery pack and store in its original packaging in a clean, dry, cool place free of solvent based vapours.

5.8.2. Face shield: Good storage conditions are very important for the service life of the face shield. It should be stored at temperatures between 5°C to 40°C and 90% relative humidity. It should be kept away from solvents, solvent vapours or any corrosive materials, because the protection effect of the face shield may be seriously reduced.

5.8.2.1. When not in use it is recommended that the face shield is stored in its original packaging in a clean, dry, cool place.

**NOTE:** Safety visor screen (SSP80PAPR.13) only, has a product life of 2 years from date of purchase.

## 6. TROUBLESHOOTING

FAULT	POSSIBLE SOLUTION
Blower does not supply air to hood	<ol style="list-style-type: none"> <li>1. Press ON/OFF to start blower</li> <li>2. Recharge battery</li> <li>3. Verify battery is properly connected to blower</li> <li>4. Remove blockage from blower outlet and breathing tube</li> </ol>
Battery pack's charge lasts less than expected	<ol style="list-style-type: none"> <li>1. Ensure battery pack is fully charged</li> <li>2. Replace battery</li> <li>3. Replace charger</li> <li>4. Check the air filter (HEPA filter &amp; Foam prefilter), and replace it if necessary</li> </ol>
Blower cannot be turned off	Press ON/OFF button for one second
Battery red level light is flashing	Charge or replace the battery
Danger light is on, alarm sounds or blower vibrates	Check the blower air flow as section 4.11





#### ENVIRONMENT PROTECTION

Recycle unwanted materials instead of disposing of them as waste. All tools, accessories and packaging should be sorted, taken to a recycling centre and disposed of in a manner which is compatible with the environment. When the product becomes completely unserviceable and requires disposal, drain any fluids (if applicable) into approved containers and dispose of the product and fluids according to local regulations.



#### WEEE REGULATIONS

Dispose of this product at the end of its working life in compliance with the EU Directive on Waste Electrical and Electronic Equipment (WEEE). When the product is no longer required, it must be disposed of in an environmentally protective way. Contact your local solid waste authority for recycling information.



#### BATTERY REMOVAL

Under the Waste Batteries and Accumulators Regulations 2009, Jack Sealey Ltd are required to inform potential purchasers of products containing batteries (as defined within these regulations), that they are registered with Valpak's registered compliance scheme. Jack Sealey Ltd's Batteries Producer Registration Number (BPRN) is BPRN00705.

**Note:** It is our policy to continually improve products and as such we reserve the right to alter data, specifications and component parts without prior notice.

**Important:** No Liability is accepted for incorrect use of this product.

**Warranty:** Guarantee is 12 months from purchase date, proof of which is required for any claim.

Sealey Group, Kempson Way, Suffolk Business Park, Bury St Edmunds, Suffolk. IP32 7AR



01284 757500



01284 703534



sales@sealey.co.uk



www.sealey.co.uk