



SPARE PARTS LISTING SHEET FOR

# 250mm 420W 230V Wood Bandsaw

Stock No.84713

Part No.BS250B

KEY No.	PART No.	STOCK No.	DESCRIPTION
1	YBS250B-01	85819	Motor
2	YBS250B-02	85820	Hex screw M8*20
3	YBS250B-03	85821	8mm washer
4	YBS250B-04	85822	Cross screw
5	YBS250B-05	85823	6mm washer
6	YBS250B-06	85824	Inlet scoop
7	YBS250B-07	85825	Wheel axle
8	YBS250B-08	85826	Bolt M6*15
9	YBS250B-09	85827	Worktable bracket
10	YBS250B-10	85828	Screw M8
11	YBS250B-11	85829	Screw M6
12	YBS250B-12	85830	Bolt M6*20
13	YBS250B-13	85831	Body
14	YBS250B-14	85832	Belt wheel
15	YBS250B-15	85833	Hex screw M6*10
16	YBS250B-16	85834	V-belt
17	YBS250B-17	85835	Driving wheel
18	YBS250B-18	85836	Wheel cover
19	YBS250B-19	85838	C clip
20	YBS250B-20	85839	Bearing 6001
21	YBS250B-21	85840	C clip
22	YBS250B-22	85841	Lower door
23	YBS250B-23	85842	Screw M14
24	YBS250B-24	85843	Spring washer
25	YBS250B-25	85844	Cross screw M4*8
26	YBS250B-26	85845	Washer
27	YBS250B-27	85846	Shield
28	YBS250B-28	85847	Brush cover
29	YBS250B-29	85848	Brush
30	YBS250B-30	85849	Bolt M8*75
31	YBS250B-31	85850	Cross screw M4*8
32	YBS250B-32	85851	Solenoid switch
33	YBS250B-33	85852	Driven wheel
34	YBS250B-34	85853	Driven wheel axle
35	YBS250B-35	85854	Ring
36	YBS250B-36	85855	Adjustable lever
37	YBS250B-37	85856	Fixing plate

KEY No.	PART No.	STOCK No.	DESCRIPTION
38	YBS250B-38	85857	Bolt M8*50
39	YBS250B-39	85858	Adjustable bracket
40	YBS250B-40	85859	Adjustable pole
41	YBS250B-41	85860	Bracket
42	YBS250B-42	85861	Screw M4
43	YBS250B-43	85862	Washer
44	YBS250B-44	85863	Switch
45	YBS250B-45	85864	Cross screw M4*30
46	See Draper Stockist		Saw blade
47	YBS250B-47	85865	Door bolt
48	YBS250B-48	85866	Cross screw M4*5
49	YBS250B-49	85867	Washer
50	YBS250B-50	85868	Door bolt cover
51	YBS250B-51	85869	Switch panel
52	YBS250B-52	85870	Upper door
53	YBS250B-53	85871	Locking washer
54	YBS250B-54	85872	Screw M22*1.5
55	YBS250B-55	85873	Door bolt clip
56	YBS250B-56	85874	Screw M6*8
57	YBS250B-57	85875	Pillar end plug
58	YBS250B-58	85876	Adjustable hand knob
59	YBS250B-59	85877	Screw M8*20
60	YBS250B-60	85878	Hex.screw M6*8
61	YBS250B-61	85879	Pressure bar
62	YBS250B-62	85880	Washer
63	YBS250B-63	85881	Hand knob
64	YBS250B-64	85882	Hand knob
65	YBS250B-65	85883	Screw M6*12
66	YBS250B-66	85884	Plastic board
67	YBS250B-67	85885	Self-tapping screw
68	YBS250B-68	85886	Washer
69	YBS250B-69	85887	Protection guard
70	YBS250B-70	85888	Sliding track piece
71	YBS250B-71	85889	Stopper
72	YBS250B-72	85890	Pressure bar
73	YBS250B-73	85891	Upper fixing
74	YBS250B-74	85892	Fixed pin

**Helpline: (023) 8049 4344. Sales Desk: (023) 8049 4333. General Enquiries: (023) 8026 6355.**

DRAPER TOOLS LTD, HURSLEY ROAD, CHANDLER'S FORD, EASTLEIGH, HANTS. SO53 1YF. U.K website: [www.drapertools.com](http://www.drapertools.com) e-mail: [sales@drapertools.com](mailto:sales@drapertools.com)



SPARE PARTS LISTING SHEET FOR  
**250mm 420W 230V  
Wood Bandsaw**

Stock No.84713

Part No.BS250B

KEY No.	PART No.	STOCK No.	DESCRIPTION
75	YBS250B-75	85893	Hex screw M6*18
76	YBS250B-76	85894	Fixed pin
77	YBS250B-77	85895	Bearing 626Z
78	YBS250B-78	85896	Clamping piece
79	YBS250B-79	85897	Fixed pin
80	YBS250B-80	85898	Nut M6
81	YBS250B-81	85899	Hand knob
82	YBS250B-82	85900	Spring washer
83	YBS250B-83	85901	Sheath
84	YBS250B-84	85902	Lower fixing
85	YBS250B-85	85903	Bracket
86	YBS250B-86	85904	Screw M6*16
87	YBS250B-87	85905	Lower clamp
88	YBS250B-88	85906	Blade guard
89	YBS250B-89	85907	Worktable
90	YBS250B-90	85908	Screw M6*35
91	YBS250B-91	85909	Worktable support
92	YBS250B-92	85910	Screw m6*35
93	YBS250B-93	85911	Bracket
94	YBS250B-94	85912	Worktable seat
95	YBS250B-95	85913	Worktable angle pointer

KEY No.	PART No.	STOCK No.	DESCRIPTION
96	YBS250B-96	85914	End plug
97	YBS250B-97	85916	Fence
98	YBS250B-98	85917	Screw M6*20
99	YBS250B-99	85918	Plastic washer
100	YBS250B-100	85919	Hand knob
101	YBS250B-101	85920	Hand knob
102	YBS250B-102	85921	Angular machine
103	YBS250B-103	85922	Angular machine pointer
104	YBS250B-104	85923	Leading block
105	YBS250B-105	85924	End plug
106	YBS250B-106	85925	Hex screw M5*10
107	YBS250B-107	85926	Rip fence
108	YBS250B-108	85927	Base plate
109	YBS250B-109	85928	Sliding part
110	YBS250B-110	85929	Hand knob
111	YBS250B-111	85930	Pressure board
112	YBS250B-112	85931	Screw
113	YBS250B-113	85932	Hex screw M4*4
114	YBS250B-114	85933	Guide
115	YBS250B-115	85934	Hand knob

**Helpline: (023) 8049 4344. Sales Desk: (023) 8049 4333. General Enquiries: (023) 8026 6355.**

DRAPER TOOLS LTD, HURSLEY ROAD, CHANDLER'S FORD, EASTLEIGH, HANTS. SO53 1YF. U.K website: [www.drapertools.com](http://www.drapertools.com) e-mail: [sales@drapertools.com](mailto:sales@drapertools.com)

DKDH041215

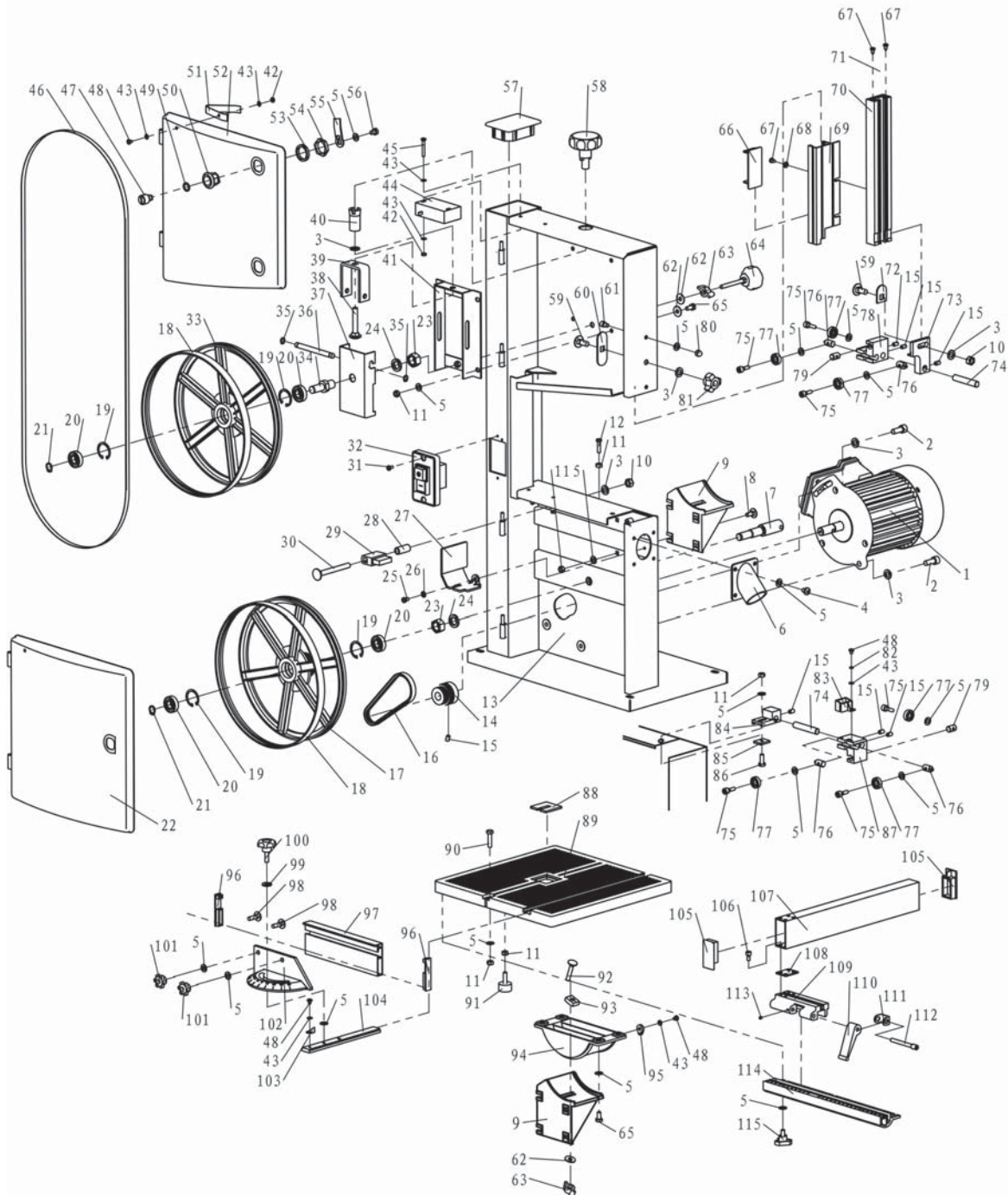


SPARE PARTS DRAWING SHEET FOR

# 250mm 420W 230V Wood Bandsaw

Stock No.84713

Part No.BS250B



Helpline: (023) 8049 4344. Sales Desk: (023) 8049 4333. General Enquiries: (023) 8026 6355.

DRAPER TOOLS LTD, HURSLEY ROAD, CHANDLER'S FORD, EASTLEIGH, HANTS. SO53 1YF. U.K website: [www.drapertools.com](http://www.drapertools.com) e-mail: [sales@drapertools.com](mailto:sales@drapertools.com)

DKDH041215