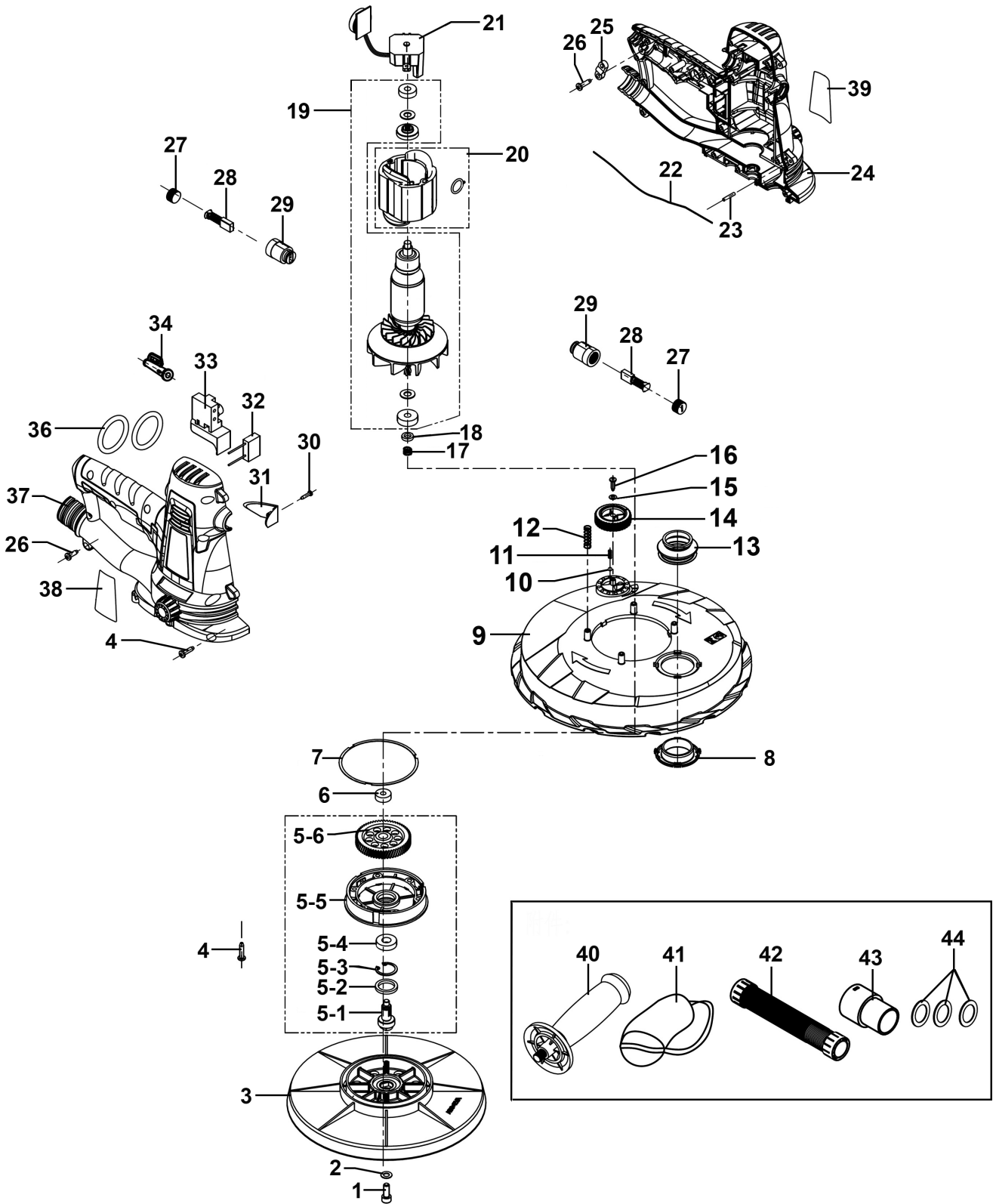




Parts Information:
Handheld Drywall Electric Sander Ø215mm
1050W
Model No: DWS215



NOTE: It is our policy to continually improve products and as such we reserve the right to alter data, specifications and component parts without prior notice. There may be alternative versions of this product, please contact us should you require this information.

IMPORTANT: No liability is accepted for incorrect use of product. Spare parts must be fitted by a competent person

WARRANTY: Guarantee is 12 months from purchase date, proof of which will be required for any claim.

Sealey Group, Kempson Way, Suffolk Business Park, Bury St Edmunds, Suffolk. IP32 7AR



01284 757500



sales@sealey.co.uk



www.sealey.co.uk



Parts Information:
**Handheld Drywall Electric Sander Ø215mm
1050W
Model No: DWS215**

Item	Part No.	Description
1	TDWS600-01	Pad Screw M6 x 15
2	FWM6.S	Flat Washer M6 Zinc
3	SSD05	Hook-and-Loop Sanding Disc Set
4	TDWS600-91	Screw 4 x 16F
5-1	TDWS600-04	Output Shaft
5-2	TDWS600-05	Oil Seal
5-3	TDWS600-06	Collar Ø22
5-4	DWS215-05-4	Ball Bearing 6900RS
5-5	DWS215-05-5	Aluminium Cover (Large)
5-6	DWS215-05-6	Gear (Large)
6	B/606Z	Bearing 606z
7	DWS215-07	Paper Gasket
8	DWS215-08	Sleeve Plate (Lower)
9	DWS215-09	Backing Pad
10	SB-4.0	Steel Ball 4.0mm
11	DWS215-11	Spring
12	DWS215-12	Spring
13	DWS215-13	Sleeve Plate (Upper)
14	DWS215-14	Adjustment Knob
15	FWM4.S	Flat Washer M4
16	DWS215-16	Self-Tapping Screw ST4x12
17	DWS215-17	Spring
18	DWS215-18	Felt Washer
19	DWS215-19	Rotor Assembly
20	DWS215-20	Stator Assembly

Item	Part No.	Description
21	DWS215-21	PCB
22	DWS215-22	Seal Belt Ø1.5
23	DWS215-23	Pin Ø3x16
24	DWS215-24	Housing, Left Side
25	TDWS600-60	Cable Grip (A)
26	TDWS600-46	Self-Tapping Screw ST4 x 14
27	DWS215-27	Carbon Brush Cover
28	DWS215-28	Carbon Brush
29	DWS215-29	Carbon Brush Holder
30	DWS215-30	Self-Tapping Screw ST3x10-F
31	DWS215-31	Ventilation Plate
32	DWS215-32	Capacitor
33	DWS215-33	Switch
34	TDWS600-76	Cable Sleeve (for Power Cord)
36	DWS215-36	O-Ring
37	DWS215-37	Housing, Right Side
38	DWS215-38	Product Label
39	DWS215-39	Spec Label
40	DWS215-40	Auxiliary Handle
41	DWS215-41	Dust Collection Bag
42	DWS215-42	Dust Collection Hose 2m
43	TDWS600-101	Adaptor Ø35
44	DWS215-44	Seal Ring
--	TDWS600-102	Wrench (Not Shown)

NOTE: It is our policy to continually improve products and as such we reserve the right to alter data, specifications and component parts without prior notice. There may be alternative versions of this product, please contact us should you require this information.

IMPORTANT: No liability is accepted for incorrect use of product. Spare parts must be fitted by a competent person

WARRANTY: Guarantee is 12 months from purchase date, proof of which will be required for any claim.

Sealey Group, Kempson Way, Suffolk Business Park, Bury St Edmunds, Suffolk. IP32 7AR



01284 757500



sales@sealey.co.uk



www.sealey.co.uk