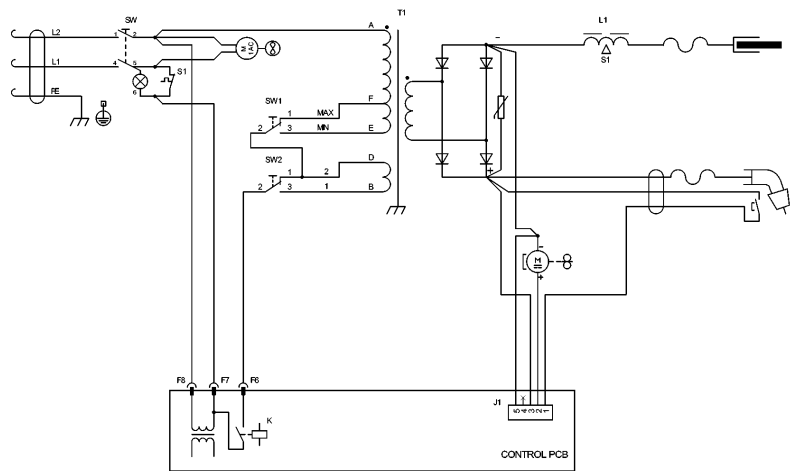


Item	Part No.	Description
1	120/112125	Potentiometer Knob
2	120/112183	Rectifier Protection
3	120/112079	Potentiometer 10K
4	120/114182	Control Card
5	120/120301	Cable 10MMQ 1.8M
6	120.121069	Thermostat
7	120/122400	Switch, White Rocker
8	120/122752	Switch, Rocker Illuminated
9	120/132169	Mains cable
10	120/152080	Fan Motor
11	120/153900	Wire Feed Motor
12	120.990812	Transformer
13	120.169247	Reactance
14	120/232105	Counter Roller
15	120/312026	Fan Blade
16	120/322126	Roller Support
17	120/322127	Torch Flxing Casing
18	120/322128	Pressure Roller Bracket
19	120.322584	Front Panel frame
20	120.322595	Back Panel frame
21	120/422257	Wire Feed Knob
22	120/452022	Spring
23	120.644692	Bottom Panel (black)
24	120.651021	Door
25	120/722019	Wire Feed Roller
26	120/742900	Torch
29	120/990097	Guide Hose Kit
30	120/990251	Gear Set
31	120/990288	Reel Kit
32	120.990746	Rectifier kit
33	120/322172	Spindle
34	120/322173	Reel Ring Nut
35	120/322174	Reel Handwheel
36	120/452065	Reel Spring
37	120.322585	Fairleader
38	120/322143	Ring nut
39	120.990783	Cover kit
40	120.990785	Diaphragm kit
41	120.649423	Front Panel
42	120.644918	Back Panel
43	120.322587	Handle top
44	120.322590	Handle side
45	120/712001	Earth Clamp
46	120/322112	Cable bushing
47	120/322104	Bottle Belt
48	REG/MM	Regulator
49	120/322223	Cap for Wheels*
50	120.322589	Handle extended
51	120/422961	Axle
52	120/322193	Wheel
-	120/712207	Mask*
-	120/712047	Lens for Mask *

Issue No: 2
Issue Date: 191103

CIRCUIT DIAGRAM PM140XT.V2



8. DECLARATION OF CONFORMITY

Declaration of Conformity We, the sole importer into the UK, declare that the products listed below are in conformity with the following standards and directives.

Mightymig Welders
Models: EM130XT.V2, PM140XT.V2 & PM150XT.V2

73/23/EEC Low Voltage Directive
 89/336/EEC EMC Directive
 93/68/EEC Marking Directive



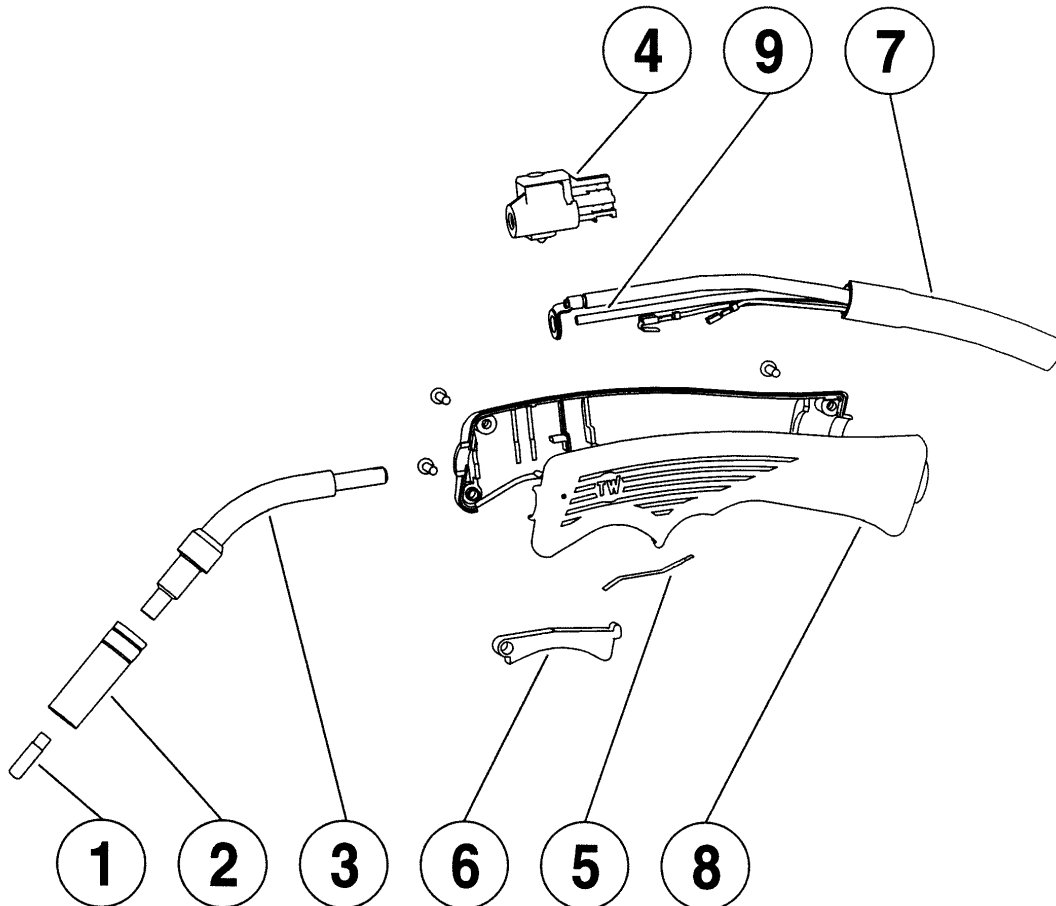
The construction files for these products are held by the Manufacturer and may be inspected, by a national authority, upon request to Jack Sealey Ltd.

Signed by Mark Sweetman

30th November 2001

For Jack Sealey Ltd. Sole importer into the UK of Sealey Power Welders.

TORCH for EM130XT.V2 & PM140XT.V2



Item	Part No.	Description	Item	Part No.	Description
1	120/ 722667	Contact Tip, Ø0.8mm	6	120/322295	Push Button
2	120/722054	Cylindrical Nozzle	7	120/990600	Sleeve with cable
3	120/722810	Swan Neck	8	120/990465	Complete Handle
4	120/990464	Torch Connection Asm.	9	120/742412	Wire Liner
5	120/452097	Contact Spring	-	120/742900	Torch, Complete

NOTE: It is our policy to continually improve products and as such we reserve the right to alter data, specifications and component parts without prior notice.

IMPORTANT: No liability is accepted for incorrect use of product.

WARRANTY: Guarantee is 12 months from purchase date, proof of which will be required for any claim.

INFORMATION: For a copy of our latest catalogue and promotions call us on 01284 757525 and leave your full name and address, including postcode.



Sole UK Distributor
 Sealey Group,
 Bury St. Edmunds, Suffolk.

01284 757500
 01284 703534

www.sealey.co.uk
sales@sealey.co.uk