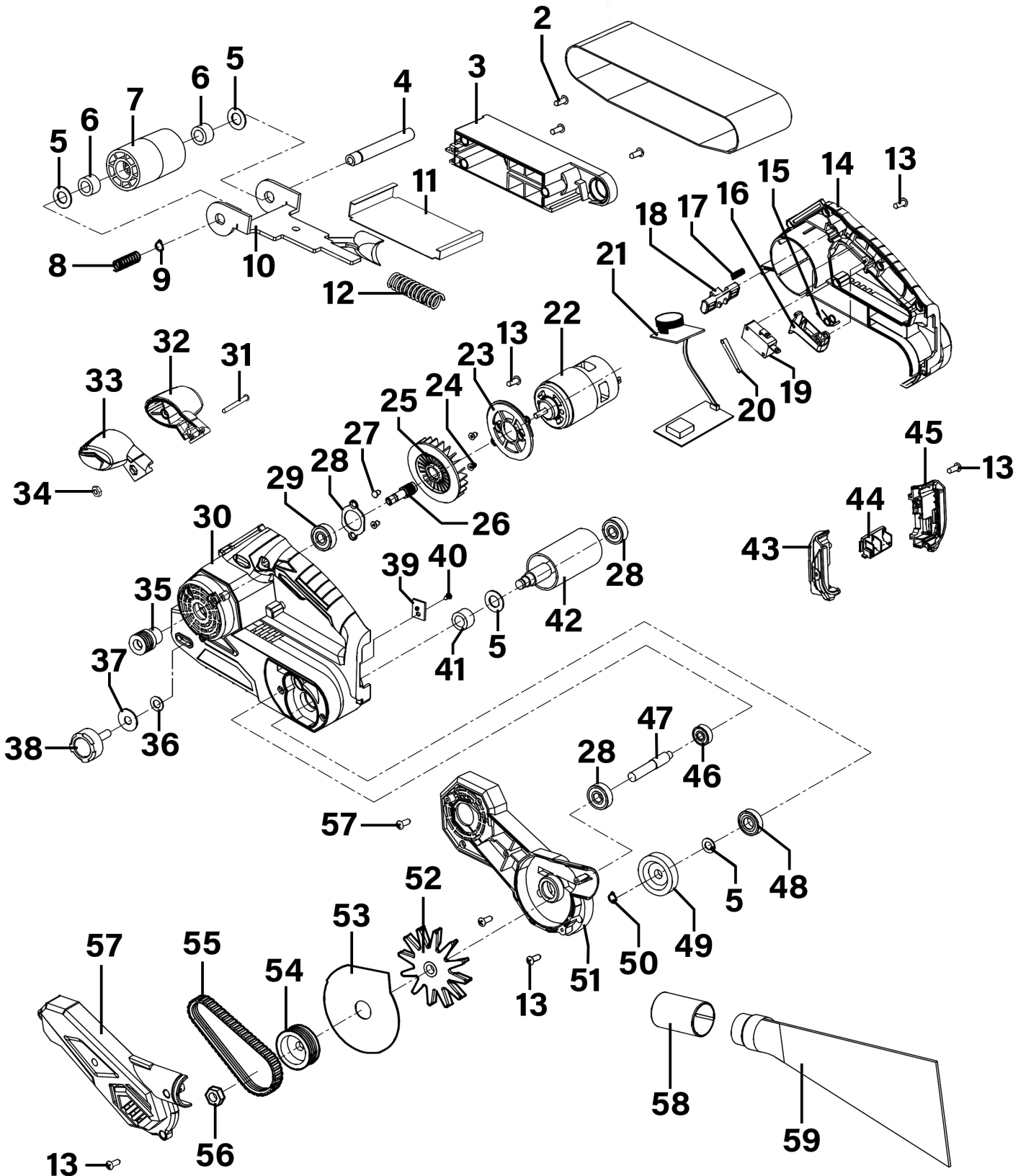




Parts Information:
Cordless Belt Sander 20V SV20 Series
76mm - Body Only
Model No: CP20VBS



NOTE: It is our policy to continually improve products and as such we reserve the right to alter data, specifications and component parts without prior notice. There may be alternative versions of this product, please contact us should you require this information.

IMPORTANT: No liability is accepted for incorrect use of product. Spare parts must be fitted by a competent person

WARRANTY: Guarantee is 12 months from purchase date, proof of which will be required for any claim.

Sealey Group, Kempson Way, Suffolk Business Park, Bury St Edmunds, Suffolk. IP32 7AR



01284 757500



sales@sealey.co.uk



www.sealey.co.uk



Parts Information:
Cordless Belt Sander 20V SV20 Series
76mm - Body Only
Model No: CP20VBS

Item	Part No.	Description	Qty
2	CP20VBS-02	Self-Tapping Screw ST4 x 20	3
3	CP20VBS-03	Lower Cover for Sanding Belt	1
4	CP20VBS-04	Output Shaft Ø10.1 x Ø16 x 0.5	1
5	CP20VBS-05	Washer	4
6	B/HK1010	Needle bearing HK1010	2
7	CP20VBS-07	Front Roller	1
8	CP20VBS-08	Spring for Output Shaft	1
9	CP20VBS-09	External Circlip	1
10	CP20VBS-10	Frame for Front Roller	1
11	CP20VBS-11	Base Plate	1
12	CP20VBS-12	Tension Spring	1
13	CP20VBS-13	Self-Tapping Screw ST4 x 14	15
14	CP20VBS-14	Housing, Right Side	1
15	CP20VBS-15	Trigger Spring	1
16	CP20VBS-16	Trigger Switch	1
17	CP20VBS-17	Compression Spring	1
18	CP20VBS-18	Self-Lock Lever for Switch	1
19	CP20VBS-19	Microswitch	1
20	CP20VBS-20	Base for Microswitch	1
21	CP20VBS-21	Speed Controller	1
22	CP20VBS-22	Motor	1
23	CP20VBS-23	Wind Guard	1
24	CP20VBS-24	Self-Tapping Screw ST3.5 x 8	4
25	CP20VBS-25	Fan Blade	1
26	CP20VBS-26	Motor Connecting Shaft	1
27	CP20VBS-27	Self-Tapping Screw ST4 x 10	2
28	CP20VBS-28	Bearing Plate	1
29	CP20VBS-29	Bearing	1
30	CP20VBS-30	Housing, Left Side	1
31	MSP525.S	Machine Screw Pan Head Phillips M5 X 25mm	1
32	CP20VBS-32	Handle, Right Side	1
33	CP20VBS-33	Handle, Left Side	1
34	SN5.S	Steel Nut M5 Zinc	1

Item	Part No.	Description	Qty
35	CP20VBS-35	Sanding Belt Pulley	1
36	CP20VBS-36	Internal Washer	1
37	CP20VBS-37	Flat Washer Ø6 x Ø22 x 1.5	1
38	CP20VBS-38	Adjustable Knob	1
39	CP20VBS-39	Plate	2
40	CP20VBS-40	Self-Tapping Screw ST3.5 x 8	2
41	CP20VBS-41	Copper Bush 10 x 14 x 10	1
42	CP20VBS-42	Roller Set	1
43	CP20VBS-43	Battery Connection Support, Left Side	1
44	CP20VBS-44	Battery Connection	1
45	CP20VBS-45	Battery Connection Support, Right Side	1
46	CP20VBS-46	Bearing	1
47	CP20VBS-47	Gear Shaft	1
48	CP20VBS-48	Bearing	1
49	CP20VBS-49	Gear	1
50	CP20VBS-50	External Circlip	1
51	CP20VBS-51	Side Cover	1
52	CP20VBS-52	Vacuum Blade	1
53	CP20VBS-53	Vacuum Baffle Plate	1
54	CP20VBS-54	Belt Pulley	1
55	CP20VBS-55	Toothed Belt (EPJ338)	1
56	SN8.S	Steel Nut M8 Zinc	1
57	CP20VBS-57	Belt Cover	1
58	CP20VBS-58	Dust Collection Bag Connector	1
59	CP20VBS-59	Dust Collection Bag	1
--	SB60457	Sanding Belt 76 x 457mm 60Grit Pack of 5 (not supplied)	--
--	SB80457	Sanding Belt 76 x 457mm 80Grit Pack of 5 (not supplied)	--
--	SB120457	Sanding Belt 76 x 457mm 120Grit Pack of 5 (not supplied)	--
--	SB240457	Sanding Belt 76 x 457mm 240Grit Pack of 5 (not supplied)	--

NOTE: It is our policy to continually improve products and as such we reserve the right to alter data, specifications and component parts without prior notice. There may be alternative versions of this product, please contact us should you require this information.

IMPORTANT: No liability is accepted for incorrect use of product. Spare parts must be fitted by a competent person

WARRANTY: Guarantee is 12 months from purchase date, proof of which will be required for any claim.

Sealey Group, Kempson Way, Suffolk Business Park, Bury St Edmunds, Suffolk. IP32 7AR



01284 757500



sales@sealey.co.uk



www.sealey.co.uk