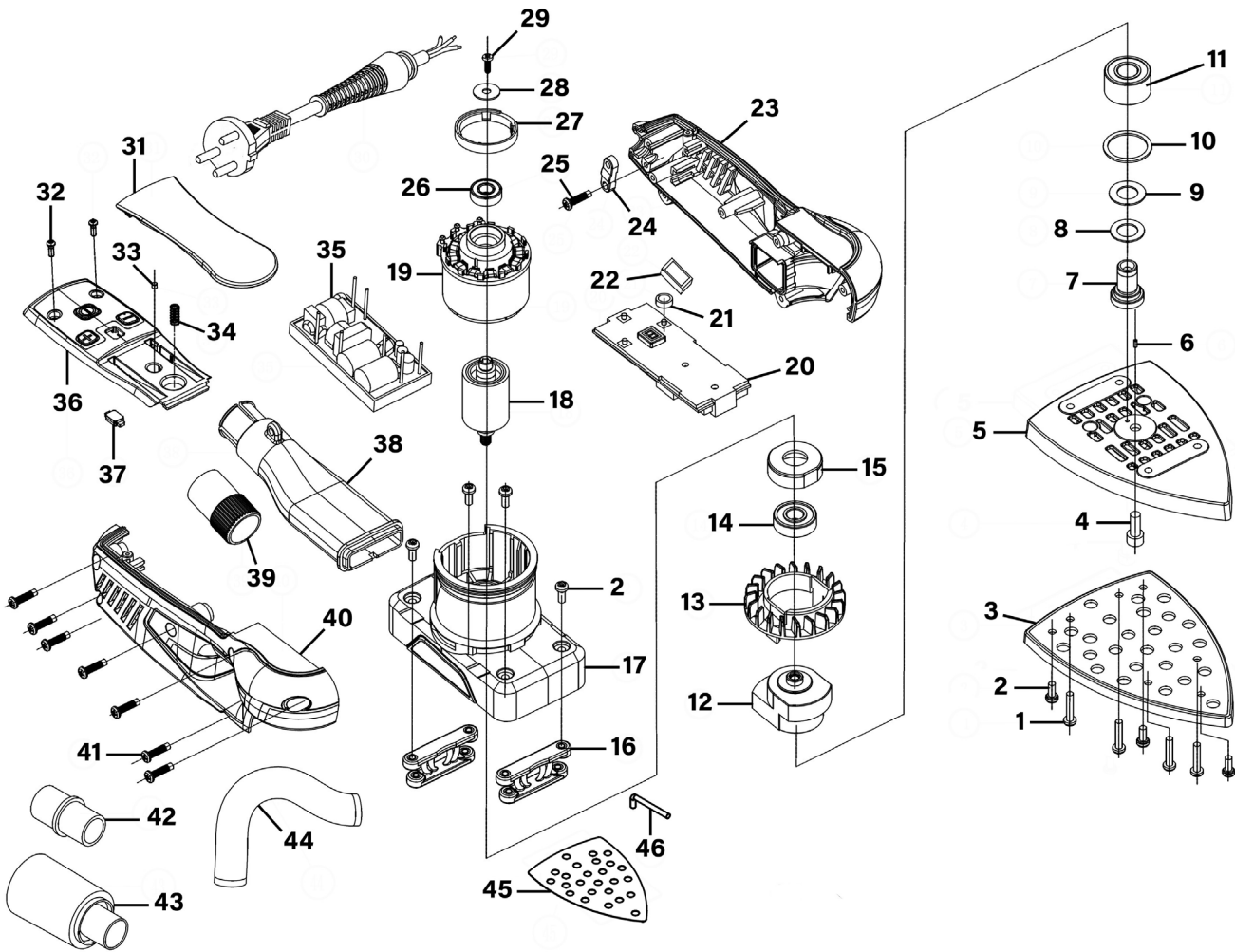


Parts Information:  
**Variable Speed Brushless Orbital Sander**  
**100 x 150mm 350W**  
**Model No: DAS152PS**



Item	Part No.	Description	Qty
1	DAS151PS-01	Screw M4x20	4
2	DAS151PS-02	Screw M4x10	8
3	DAS152PS-03	Backing Pad 100x155x155mm	1
4	SCB614.SB	Socket Cap Bolt M6 x 14mm Black	1
5	DAS152PS-05	Backing Plate 100x155x155mm	1
6	DAS151PS-06	Pin Ø2 x 5	1
7	DAS151PS-07	Output Shaft	1
8	DAS151PS-08	Gasket Ø12 x Ø20 x 1	1
9	DAS151PS-09	Woolen Felt Ring Ø12 x Ø20 x 1.5	1
10	DAS151PS-10	Internal Circlip Ø28	1
11	DAS151PS-11	Bearing 5001-2RS	1
12	DAS152PS-12	Eccentric Block	1
13	DAS151PS-13	Fan	1

Item	Part No.	Description	Qty
14	B/6000-2RS	Bearing 6000-2rs	1
15	DAS151PS-15	Bearing Aluminium Sleeve	1
16	DAS151PS-16	Swing Arm	2
17	DAS152PS-17	Housing	1
18	DAS151PS-18	Rotor	1
19	DAS151PS-19	Stator	1
20	DAS151PS-20	Control System Board	1
21	DAS151PS-21	Key Pillar Cover	3
22	DAS151PS-22	Woolen Pad	1
23	DAS151PS-23	Handle, Left Side	1
24	DAS151PS-24	Clamping Plate	1
25	DAS151PS-25	Self-Tapping Screw ST3.9 x 16-F	1
26	B/698ZZ	Bearing 698zz	1

**NOTE:** It is our policy to continually improve products and as such we reserve the right to alter data, specifications and component parts without prior notice. There may be alternative versions of this product, please contact us should you require this information.

**IMPORTANT:** No liability is accepted for incorrect use of product. Spare parts must be fitted by a competent person

**WARRANTY:** Guarantee is 12 months from purchase date, proof of which will be required for any claim.



Parts Information:  
**Variable Speed Brushless Orbital Sander**  
**100 x 150mm 350W**  
**Model No: DAS152PS**

Item	Part No.	Description	Qty
27	DAS151PS-27	Positioning Ring	1
28	FWM5.S	Flat Washer M5 Zinc	1
29	MSP414.SB	Machine Screw Pan Head Phillips M4 x 14mm Black	1
31	DAS151PS-31	Trigger Control Lever	1
32	DAS151PS-32	Self-Tapping Screw ST2.9 x 12-C	1
33	DAS151PS-33	Lever Magnet Ø3 x 3	1
34	DAS151PS-34	Start Button Spring	1
35	DAS151PS-35	Power Supply Controller Set	1
36	DAS151PS-36	Cover Plate	1

Item	Part No.	Description	Qty
37	DAS151PS-37	Square Lens	1
38	DAS152PS-38	Dust Exhaust	1
39	DAS151PS-39	Dust Exhaust Adaptor	1
40	DAS151PS-40	Handle, Right Side	1
41	DAS151PS-41	Self-Tapping Screw ST3.9 x 20-F	7
42	DAS151PS-42	Hose Adaptor (Small)	1
43	DAS151PS-43	Hose Adaptor (Large)	1
44	DAS151PS-44	Dust Extraction Hose 1m	1
45	--	see catalogue for full range	--

**NOTE:** It is our policy to continually improve products and as such we reserve the right to alter data, specifications and component parts without prior notice. There may be alternative versions of this product, please contact us should you require this information.

**IMPORTANT:** No liability is accepted for incorrect use of product. Spare parts must be fitted by a competent person

**WARRANTY:** Guarantee is 12 months from purchase date, proof of which will be required for any claim.

Sealey Group, Kempson Way, Suffolk Business Park, Bury St Edmunds, Suffolk. IP32 7AR



01284 757500



sales@sealey.co.uk



www.sealey.co.uk