

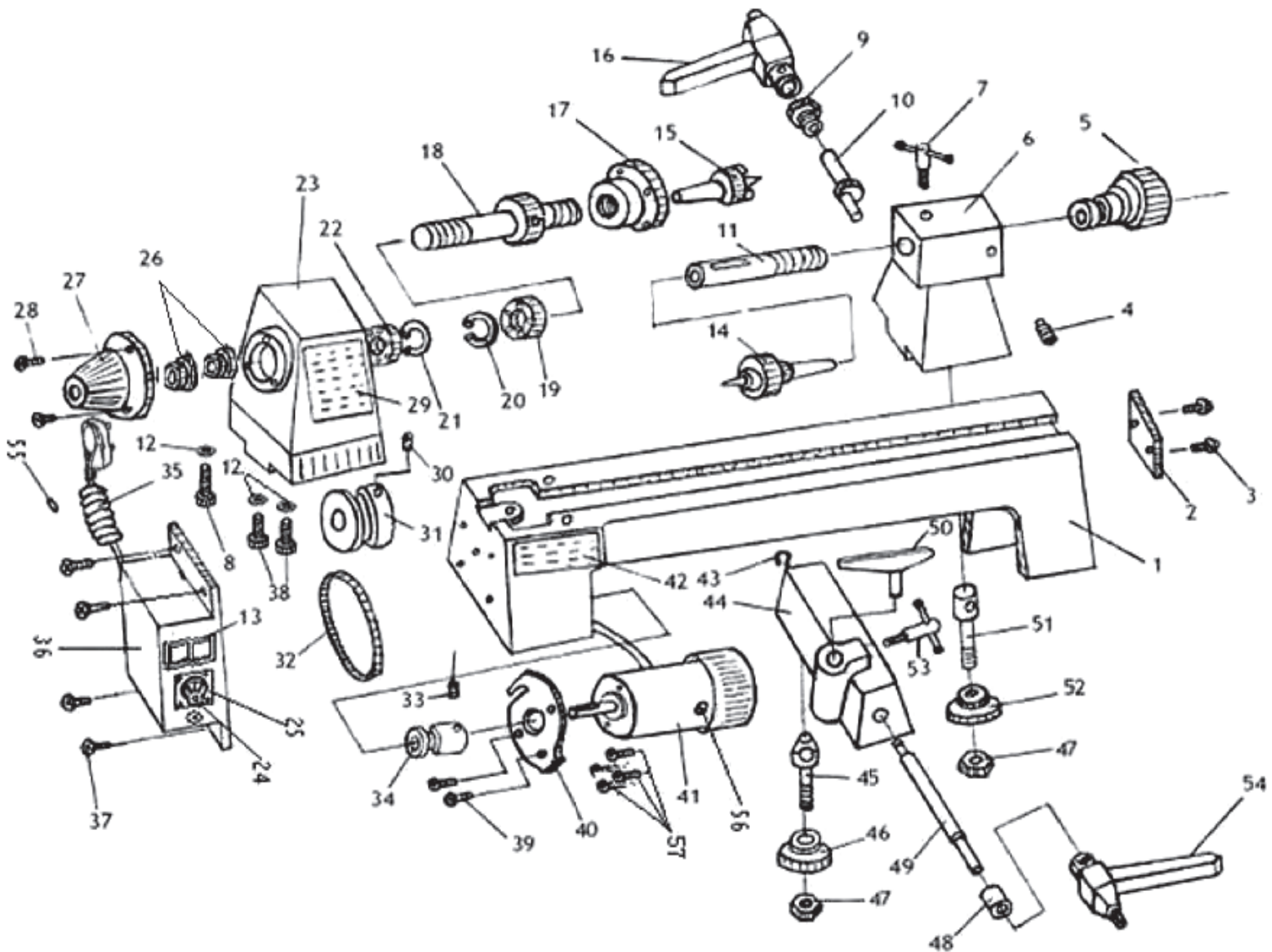


SPARE PARTS DRAWING SHEET FOR

250W 230V 300mm Variable Speed Mini Wood Lathe

Stock No.60988

Part No.WTL330A



Helpline: (023) 8049 4344. **Sales Desk:** (023) 8049 4333. **General Enquiries:** (023) 8026 6355.

DRAPER TOOLS LTD, HURSLEY ROAD, CHANDLER'S FORD, EASTLEIGH, HANTS. SO53 1YF. U.K website: www.drapertools.com e-mail: sales@drapertools.com

DKKC240714



SPARE PARTS LISTING SHEET FOR

250W 230V 300mm Variable Speed Mini Wood Lathe

Stock No.60988

Part No.WTL330A

| KEY No. | PART No. | STOCK No. | DESCRIPTION |
|---------|-------------|-----------|------------------------|
| 1 | YWTL330A-01 | 62648 | Bed |
| 2 | YWTL330A-02 | 62649 | Retaining plate |
| 3 | YWTL330A-03 | 62650 | Screw M5x8 |
| 4 | YWTL330A-04 | 62651 | Screw M6x8 |
| 5 | YWTL330A-05 | 62652 | Handwheel |
| 6 | YWTL330A-06 | 62655 | Tailstock |
| 7 | YWTL330A-07 | 62657 | T-lock knob bolt |
| 8 | YWTL330A-08 | 62665 | Cap screw M8x40 |
| 9 | YWTL330A-09 | 62677 | Sleeve |
| 10 | YWTL330A-10 | 62718 | Eccentric axis |
| 11 | YWTL330A-11 | 62721 | Tailstock spindle |
| 12 | YWTL330A-12 | 62723 | Lock Washer 8MM |
| 13 | YWTL330A-13 | 62726 | Paddle switch |
| 14 | YWTL330A-14 | 62738 | Live centre assembly |
| 15 | YWTL330A-15 | 62746 | Spur center |
| 16 | YWTL330A-16 | 62747 | Tailstock lock handle |
| 17 | YWTL330A-17 | 62752 | Face plate-6" |
| 18 | YWTL330A-18 | 62753 | Headstock spindle |
| 19 | YWTL330A-19 | 62761 | Ball bearing 6004ZZ |
| 20 | YWTL330A-20 | 62768 | Retaining ring C40 |
| 21 | YWTL330A-21 | 62770 | Retaining ring C40 |
| 22 | YWTL330A-22 | 62772 | Ball bearing 6004ZZ |
| 23 | YWTL330A-23 | 62775 | Headstock |
| 24 | YWTL330A-24 | 62778 | Speed dial switch |
| 25 | YWTL330A-25 | 62779 | Speed dial lable |
| 26 | YWTL330A-26 | 62788 | Headstock spindle nut |
| 27 | YWTL330A-27 | 62789 | Outboard spindle cover |
| 28 | YWTL330A-28 | 62790 | screw M4x10 |
| 30 | YWTL330A-30 | 62791 | Set screw M6x8 |
| 31 | YWTL330A-31 | 62793 | Drive pully |

| KEY No. | PART No. | STOCK No. | DESCRIPTION |
|---------|--------------|-----------|-------------------------|
| 32 | YWTL330A-32 | 62794 | Belt K-516 |
| 33 | YWTL330A-33 | 62795 | Set screw M6x10 |
| 34 | YWTL330A-34 | 62796 | Motor pulley |
| 35 | YWTL330A-35 | 62798 | Power cord |
| 36 | YWTL330A-36 | 62800 | Variabel speed box |
| 37 | YWTL330A-37 | 62803 | Screw M4x10 |
| * 38 | YWTL330A-38 | 62814 | Cap screw M8x25 |
| 39 | YWTL330A-39 | 62825 | Cap screw M6x16 |
| 40 | YWTL330A-40 | 62828 | Motor plate |
| 41 | YWTL330A-41 | 62838 | Motor |
| 42 | YWTL330A-42 | 62844 | Warming label |
| 43 | YWTL330A-43 | 62852 | Retaining ring 8MM |
| 44 | YWTL330A-44 | 62863 | Tool rest base |
| 45 | YWTL330A-45 | 62864 | Special bolt |
| 46 | YWTL330A-46 | 62865 | Plate |
| 47 | YWTL330A-47 | 62868 | Lock nut M8 |
| 48 | YWTL330A-48 | 62869 | Sleeve |
| 49 | YWTL330A-49 | 62870 | Eccentric rod |
| 50A | YWTL330A-50A | 62871 | Large tool rest |
| 50B | YWTL330A-50B | 62872 | Small tool rest |
| 51 | YWTL330A-51 | 62873 | Special bolt |
| 52 | YWTL330A-52 | 62874 | Plate |
| 53 | YWTL330A-53 | 62875 | T-lock knob bolt |
| 54 | YWTL330A-54 | 62876 | Tool holder lock handle |
| 55 | YWTL330A-55 | 62878 | Fuse |
| 56 | YWTL330A-56 | 62879 | Carbon brush |
| 57 | YWTL330A-57 | 62886 | Cap screw M5X8 |
| s | YWTL330A-58 | 62891 | flat wrench |
| v | YWTL330A-59 | 62895 | push-out rod |

Helpline: (023) 8049 4344. Sales Desk: (023) 8049 4333. General Enquiries: (023) 8026 6355.

DRAPER TOOLS LTD, HURSLEY ROAD, CHANDLER'S FORD, EASTLEIGH, HANTS. SO53 1YF. U.K website: www.drapertools.com e-mail: sales@drapertools.com