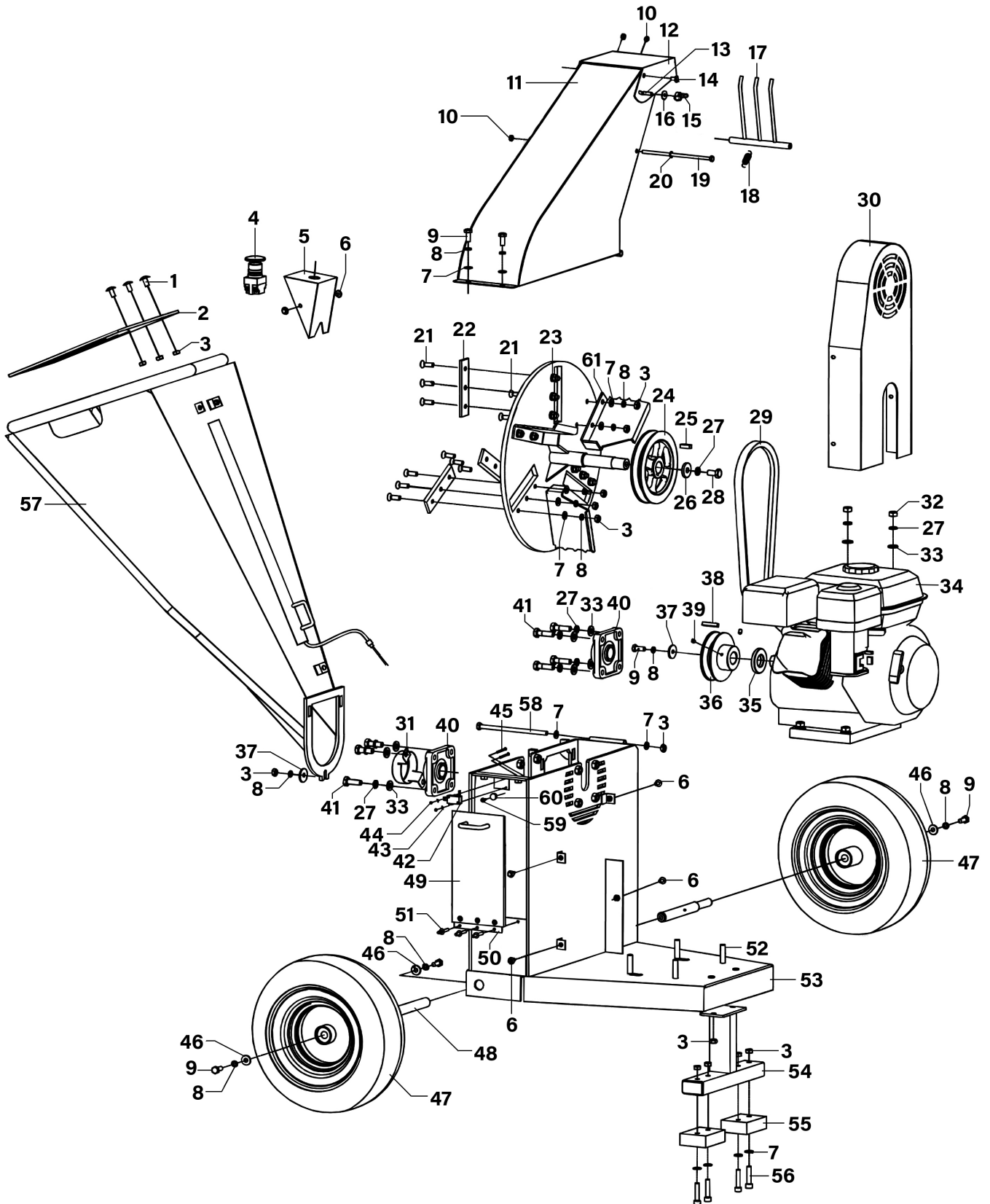


Parts Information:
Wood Chipper 420cc 15hp 100mm Capacity
Model No: SWC420



NOTE: It is our policy to continually improve products and as such we reserve the right to alter data, specifications and component parts without prior notice. There may be alternative versions of this product, please contact us should you require this information.

IMPORTANT: No liability is accepted for incorrect use of product. Spare parts must be fitted by a competent person

WARRANTY: Guarantee is 12 months from purchase date, proof of which will be required for any claim.



Parts Information:
Wood Chipper 420cc 15hp 100mm Capacity
Model No: SWC420

Item	Part No.	Description	Qty
1	MSP816.S	Machine Screw Pan Head Phillips M8 x 16mm	3
2	SWC420-02	Splash-proof Plate	1
3	NLN8.S	Nyloc Nut M8 Zinc	26
4	SWC420-04	Emergency Stop Switch	1
5	SWC420-05	Switch Box	1
6	SWC420-06	Nut (M5x8)	6
7	FWM8.S	Flat Washer M8 Zinc	25
8	SWM8.S	Spring Washer M8 Zinc	22
9	SS820.S	Hex Head Set Screw M8 X 20 Zinc	4
10	NLN6.S	Nyloc Nut M6 Zinc	3
11	SWC420-11	Main Body Cover	1
12	SWC420-12	Adjustable Discharge Port	1
13	SWC420-13	Threaded Stud M6 x 20	2
14	SFS612.S	Hex Head Flange Bolt M6 X 12 Zinc	2
15	SN6.SW	Wing Nut M6 Zinc	2
16	SWC420-16	Flat Washer (6 x 18 x 1.6)	2
17	SWC420-17	Block Tube	1
18	SWC420-18	Pawl Spring	1
19	SWC420-19	Hex Head Bolt M6 x 150mm	1
20	FWM6.S	Flat Washer M6 Zinc	1
21	SWC420-21	Phillips Machine Screw M8 x 30mm	15
22	SWC420-22	Chipping Knife	3
23	SWC420-23	Cutting Blade Assembly	1
24	SWC420-24	Large Pulley	1
25	SWC420-25	Flat Key (8 x 7 x 22)	1
26	SWC420-26	Flat Washer (10 x 30 x 3)	1
27	SWM10.S	Spring Washer M10 Zinc	13
28	SS1020.S	Hex Head Set Screw M10 X 20 Zinc	1
29	SWC420-29	Drive Belt	1
30	SWC420-30	Drive Belt Cover	1
31	SWC420-31	Bearing Cover	1
32	NLN10.S	Nyloc Nut M10 Zinc	4
33	FWM10.S	Flat Washer M10 Zinc	13
34	SWC420-34	Engine	1
35	SWC420-35	Pad Seal	1
36	SWC420-36	Small Pulley	1
37	SWC420-37	Flat Washer (8 x 28 x 3)	2

Item	Part No.	Description	Qty
38	SWC420-38	Flat Key (6.3 x 6.3)	1
39	GSM610.S	Grub Screw M6x10 (Single)	2
40	SWC420-40	Bearing Seat	2
41	SS1030.S	Hex Head Set Screw M10 X 30 Zinc	8
42	SWC420-42	Safety Switch	1
43	FWM3.S	Flat Washer M3 Zinc	2
44	SN3.S	Steel Nut M3 Zinc	2
45	MSP318.S	Machine Screw Pan Head Phillips M3 x 18mm	2
46	SWC420-46	Flat Washer (8 x 20 x 2)	4
47	SWC420-47	Wheel	2
48	SWC420-48	Wheel Axle	2
49	SWC420-49	Fix Plate	1
50	SWC420-50	Hinge	1
51	SWC420-51	Rivet Ø3 x 8	6
52	SS1045.S	Hex Head Set Screw M10 X 45 Zinc	4
53	SWC420-53	Main Body	1
54	SWC420-54	Front Support Leg	1
55	SWC420-55	Rubber Mat	2
56	SS855.S	Hex Head Set Screw M8 X 55 Zinc	4
57	SWC420-57	Feed Hopper	1
58	SWC420-58	Hex Head Bolt M8 x 170mm	1
59	MSP410.S	Machine Screw Pan Head Phillips M4 X 10mm	1
60	SWC420-60	Magnet	1
61	SWC420-61	Wing	3
--	SWC420-34-01	Spark Plug (Not Shown)	1
--	SWC420-34-02	Recoil Starter Assembly (Not Shown)	1
--	SWC420-34-03	Carburettor Insulator Gasket (A)(Not Shown)	1
--	SWC420-34-04	Carburettor Spacer (Not Shown)	1
--	SWC420-34-05	Carburettor Insulator Gasket (B)(Not Shown)	1
--	SWC420-34-06	Carburettor Gasket (Not Shown)	1
--	SWC420-34-07	Ignition Coil Assembly (Not Shown)	1
--	SWC420-34-08	Air Cleaner Filter (Not Shown)	1
--	SWC420-34-09	Fuel Tank Cap (c/w Seal) (Not Shown)	1
--	SWC420-34-10	Fuel Filter (Not Shown)	1

NOTE: It is our policy to continually improve products and as such we reserve the right to alter data, specifications and component parts without prior notice. There may be alternative versions of this product, please contact us should you require this information.

IMPORTANT: No liability is accepted for incorrect use of product. Spare parts must be fitted by a competent person

WARRANTY: Guarantee is 12 months from purchase date, proof of which will be required for any claim.

Sealey Group, Kempson Way, Suffolk Business Park, Bury St Edmunds, Suffolk. IP32 7AR



01284 757500



sales@sealey.co.uk



www.sealey.co.uk