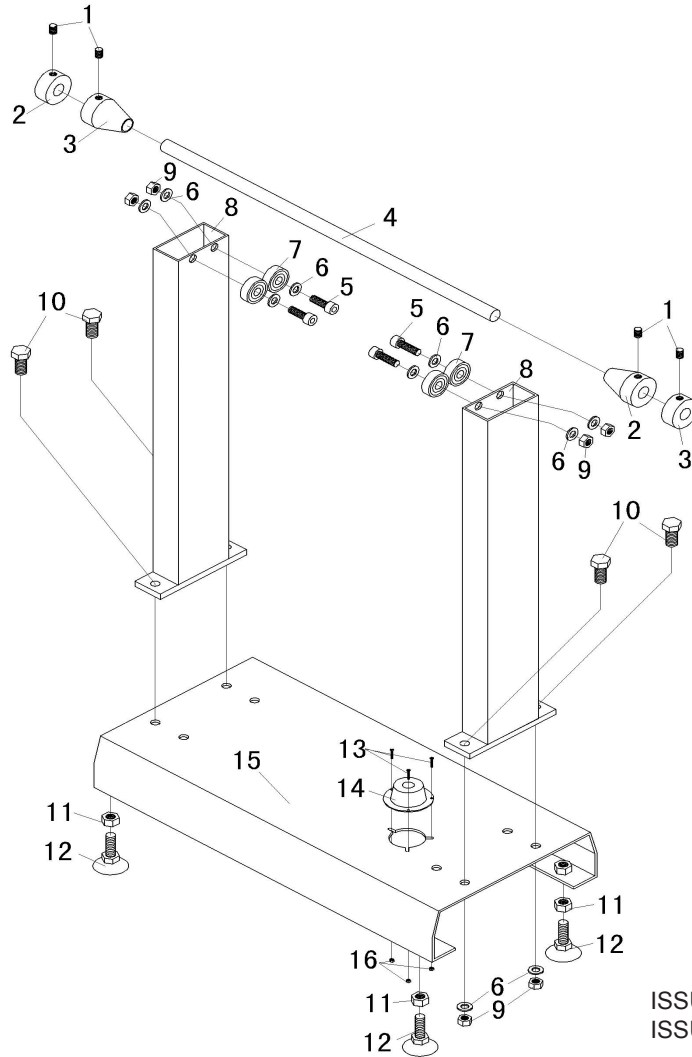




PARTS FOR :  
**MOTORCYCLE WHEEL BALANCER**  
 MODEL : **VS1819.V3**



ISSUE : 1  
 ISSUE DATE : 10/01/14

ITEM	PART NO	DESCRIPTION
1	VS1819.V3-01	SCREW
2	VS1819.V3-02	BAFFLE RING
3	VS1819.V3-03	STRIPPER RING
4	VS1819.V3-04	CALIBRATING LEVER
5	VS1819.V3-05	BOLT
6	VS1819.V3-06	WASHER
7	VS1819.V3-07	BEARING
8	VS1819.V3-08	STAND
9	VS1819.V3-09	LOCKING NUT
10	VS1819.V3-10	BOLT
11	VS1819.V3-11	NUT
12	VS1819.V3-12	FOOT
13	VS1819.V3-13	SMALL BOLT
14	VS1819.V3-14	BUBBLE
15	VS1819.V3-15	MAIN FRAM
16	VS1819.V3-16	SMALL NUT

**NOTE:** It is our policy to continually improve products and as such we reserve the right to alter data, specifications and component parts without prior notice.

**IMPORTANT:** No liability is accepted for incorrect use of product.

**WARRANTY:** Guarantee is 12 months from purchase date, proof of which will be required for any claim.

**INFORMATION:** For a copy of our latest catalogue and promotions call us on 01284 757525 and leave your full name and address, including postcode.



Sole UK Distributor,  
 Sealey Group, Kempson Way,  
 Suffolk Business Park,  
 Bury St Edmunds, Suffolk, IP32 7AR



01284 757500



01284 703534



[www.sealey.co.uk](http://www.sealey.co.uk)



[sales@sealey.co.uk](mailto:sales@sealey.co.uk)